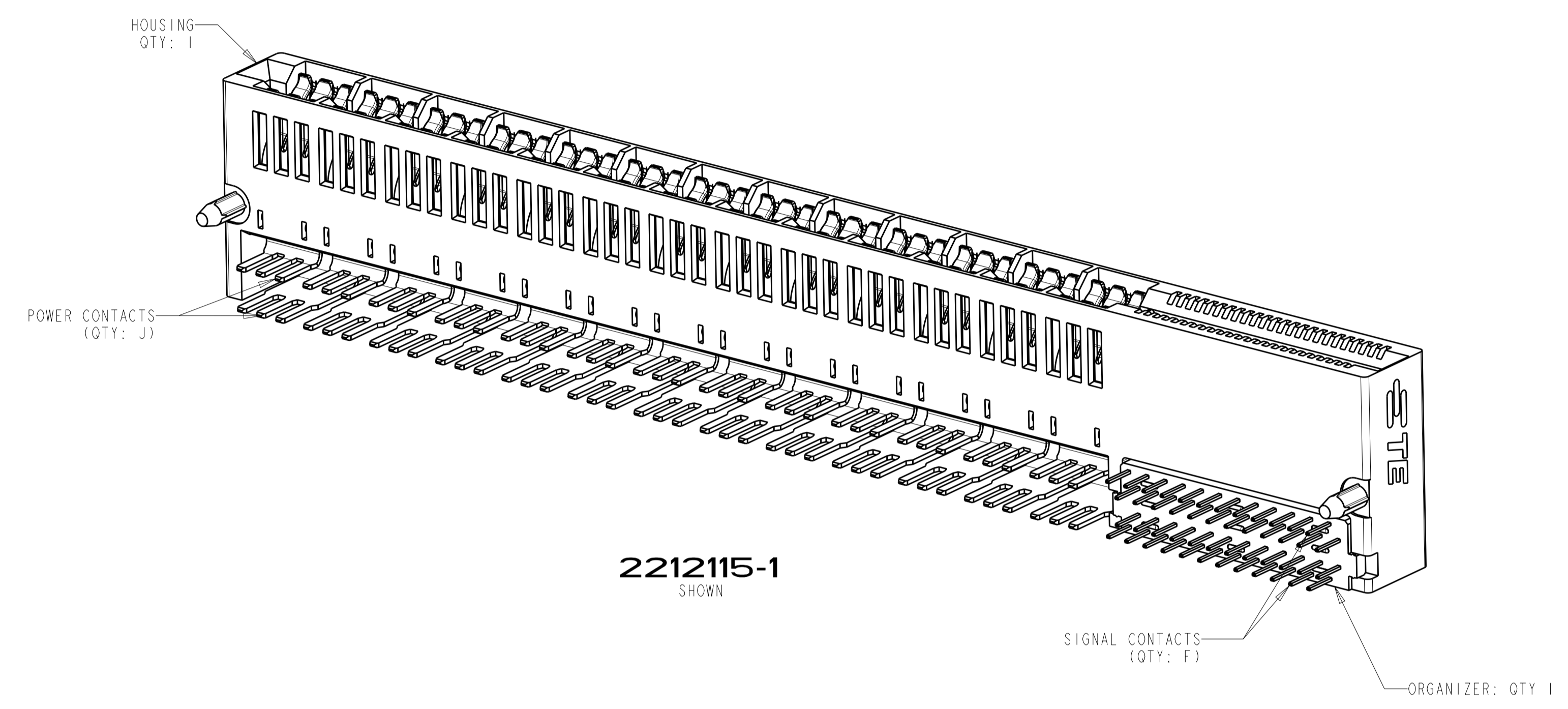


LOC	DIST	REVISIONS			
P	LTN	DESCRIPTION	DATE	DWN	APVD
A		FIRST RELEASE	15JUL2016	SZ	SZ

1. MATERIAL: HOUSING - THERMOPLASTIC, GLASS REINFORCED, COLOR: BLACK.
CONTACT - COPPER ALLOY
2. FINISH: CONTACT - GOLD PLATED OVER NICKEL.
SOLDER TAILS - MATTE TIN OVER NICKEL
3. CONNECTOR ASSEMBLY MARKED WITH PART NUMBER AND DATE CODE IN THE APPROXIMATE AREA SHOWN
4. DATUMS AND BASIC DIMENSIONS TO BE ESTABLISHED BY CUSTOMER
5. MANUFACTURING TOLERANCE FOR 1.07mm DIAMETER FINISHED HOLE:
DRILLED HOLE = 1.15+/-0.03mm
COPPER PLATE = 0.050/0.025mm (MAX HARDNESS 150 KNOOP)
TIN/LEAD PLATE (HASL) = 0.010/0.004mm
6. MANUFACTURING TOLERANCE FOR 0.70mm DIAMETER FINISHED HOLE:
DRILLED HOLE = 0.78+/-0.03mm
COPPER PLATE = 0.050/0.025mm (MAX HARDNESS 150 KNOOP)
TIN/LEAD PLATE (HASL) = 0.010/0.004mm



2.92	3.50	16.22	2.81	15.50	4	6.30	1.78	2	9.11	4	8	6	6	0	15.81	18.61	2 X 1 POWER 2 X 4 SIGNAL	1-2212115-4
2.92	3.50	36.74	13.07	36.02	10	16.56	6.04	6	29.63	12	20	18	18	4	36.33	39.13	2 X 3 POWER 2 X 10 SIGNAL	1-2212115-3
2.92	3.50	44.74	17.07	44.02	18	20.56	2.04	6	37.63	12	36	34	18	4	44.33	47.13	2 X 3 POWER 2 X 18 SIGNAL	1-2212115-2
2.92	3.50	31.48	10.44	30.76	12	13.93	1.41	4	24.37	8	24	22	12	2	31.07	33.87	2 X 2 POWER 2 X 12 SIGNAL	1-2212115-1
2.92	3.50	24.22	6.81	23.50	12	10.30	-2.22	2	17.11	4	24	22	6	0	23.81	26.61	2 X 1 POWER 2 X 12 SIGNAL	2212115-9
4.45	5.00	60.52	24.96	59.80	12	28.45	15.93	12	53.41	24	24	22	36	10	60.11	62.91	2 X 6 POWER 2 X 12 SIGNAL	2212115-8
2.92	3.50	60.52	24.96	59.80	12	28.45	15.93	12	53.41	24	24	22	36	10	60.11	62.91	2 X 6 POWER 2 X 12 SIGNAL	2212115-7
4.45	5.00	42.00	15.70	41.28	8	19.19	10.67	8	34.89	16	16	14	24	6	41.59	44.39	2 X 4 POWER 2 X 8 SIGNAL	2212115-6
2.92	3.50	42.00	15.70	41.28	8	19.19	10.67	8	34.89	16	16	14	24	6	41.59	44.39	2 X 4 POWER 2 X 8 SIGNAL	2212115-5
4.45	5.00	23.48	6.44	22.76	4	9.93	5.41	4	16.37	8	8	6	12	2	23.07	25.87	2 X 2 POWER 2 X 4 SIGNAL	2212115-4
2.92	3.50	23.48	6.44	22.76	4	9.93	5.41	4	16.37	8	8	6	12	2	23.07	25.87	2 X 2 POWER 2 X 4 SIGNAL	2212115-3
4.45	5.00	123.34	56.37	122.62	24	59.86	35.34	26	116.23	52	48	46	78	24	122.93	125.73	2 X 13 POWER X 2 X 24 SIGNAL	2212115-2
2.92	3.50	123.34	56.37	122.62	24	59.86	35.34	26	116.23	52	48	46	78	24	122.93	125.73	2 X 13 POWER X 2 X 24 SIGNAL	2212115-1
EE	DD	R	P	N	M	L	K	J	H	G	F	E	D	C	B	A	DESCRIPTION	PART NUMBER

THIS DRAWING IS A CONTROLLED DOCUMENT.

DIMENSIONS: mm

TOLERANCES UNLESS OTHERWISE SPECIFIED:

0 PLC	±
1 PLC	±0.5
2 PLC	±0.25
3 PLC	±
4 PLC	±
ANGLES	±0.5°

MATERIAL: SEE NOTE 1

FINISH: SEE NOTE 2

APPROVED: S. FLICKINGER

DATE: 01MAR2013

PRODUCT SPEC: -

APPLICATION SPEC: -

WEIGHT: -

CUSTOMER DRAWING

SCALE: 3:1

SHEET 1 OF 3

REV A

TE Connectivity

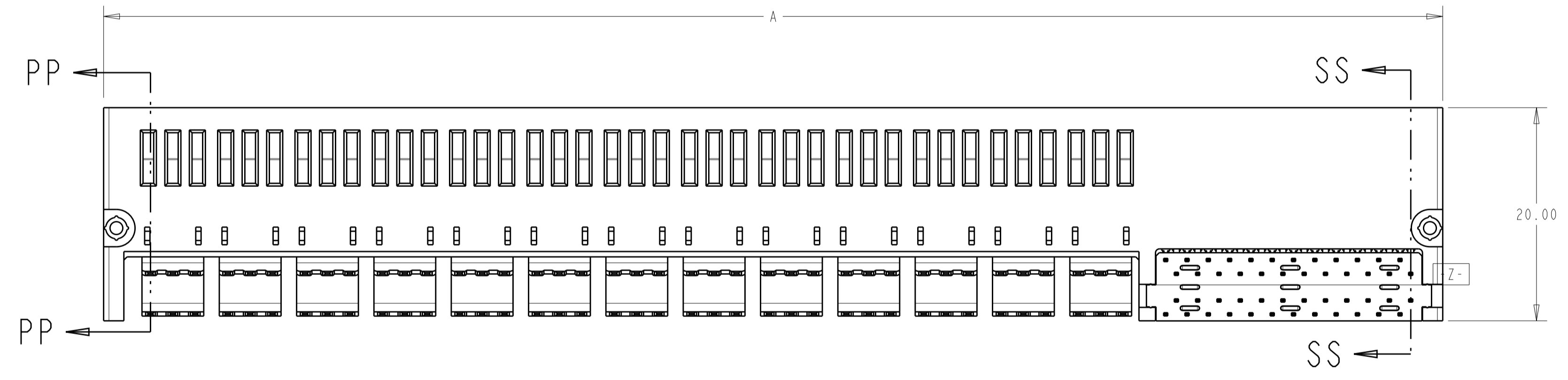
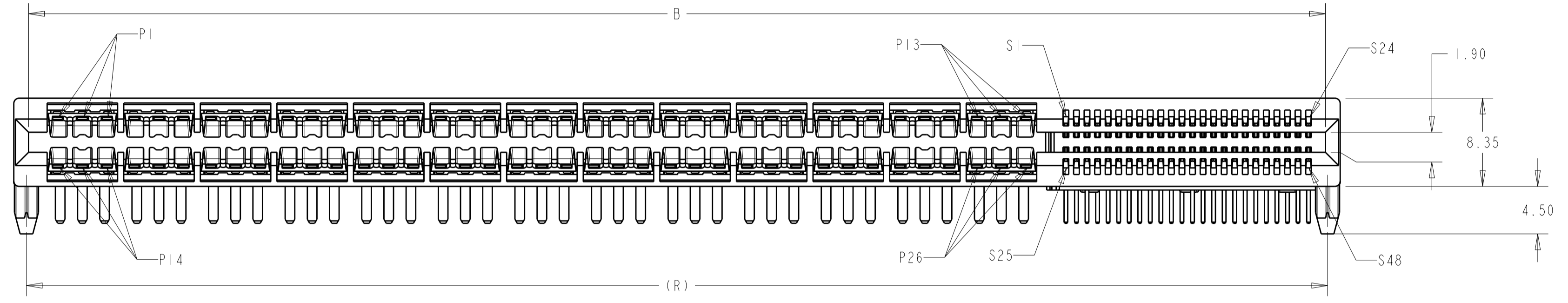
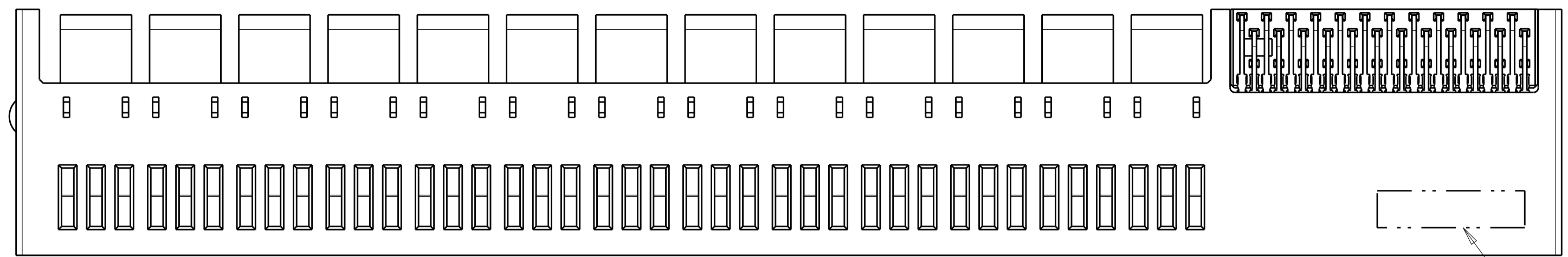
CONNECTOR ASSEMBLY, MULTI-BEAM CE, POWER/SIGNAL, RIGHT ANGLE, SOLDER MOUNT

SIZE: A1

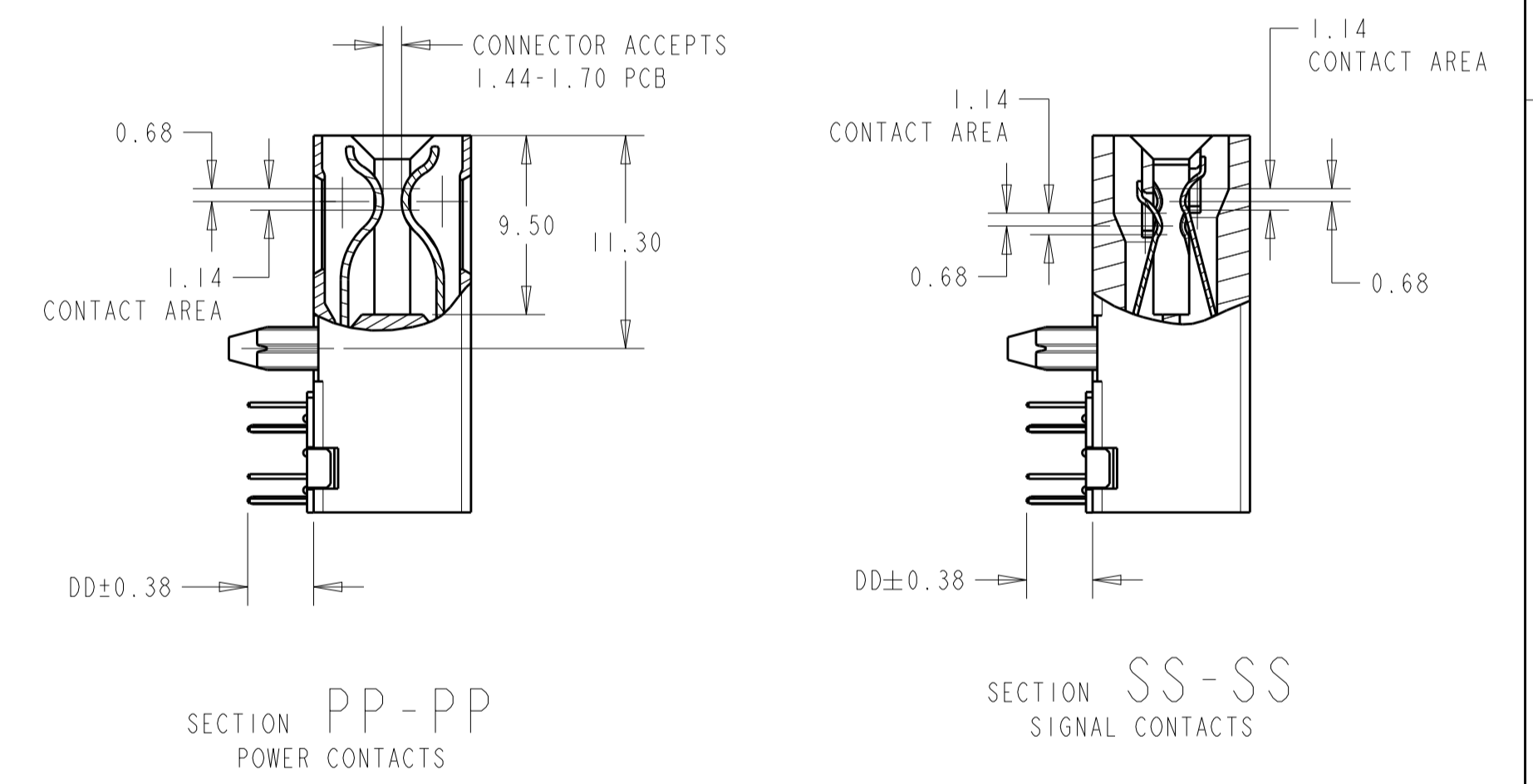
CAGE CODE: 00779

DRAWING NO: 2212115

LOC		DIST		REVISIONS			
AA	00	P	LTH	DESCRIPTION	DATE	OWN	APVD
		-		SEE SHEET 1	-	-	-



2212115-1
SHOWN



THIS DRAWING IS A CONTROLLED DOCUMENT.		OWN L.A.WENSEL 01MAR2013	TE Connectivity
DIMENSIONS: mm		CHK D.SZCZESNY 01MAR2013	
TOLERANCES UNLESS OTHERWISE SPECIFIED:		APVD S.FLICKINGER 01MAR2013	NAME CONNECTOR ASSEMBLY, MULTI-BEAM CE, POWER/SIGNAL, RIGHT ANGLE, SOLDER MOUNT
0 PLC ±0.5 1 PLC ±0.5 2 PLC ±0.25 3 PLC ±0.25 4 PLC ±0.25 ANGLES ±0.5°		PRODUCT SPEC	
MATERIAL SEE NOTE 1		APPLICATION SPEC	SIZE A1
FINISH SEE NOTE 2		WEIGHT	CAGE CODE 00779
CUSTOMER DRAWING		SCALE 3:1	DRAWING NO. 2212115
		SHEET 2 OF 3	REV A

单击下面可查看定价，库存，交付和生命周期等信息

[>>TE Connectivity\(泰科\)](#)