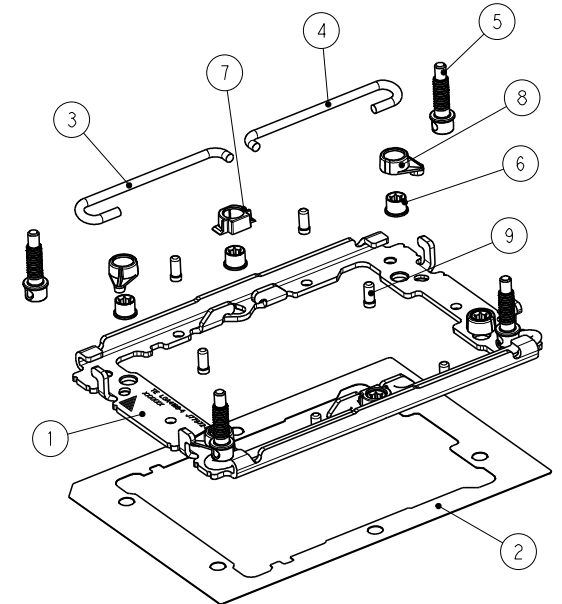
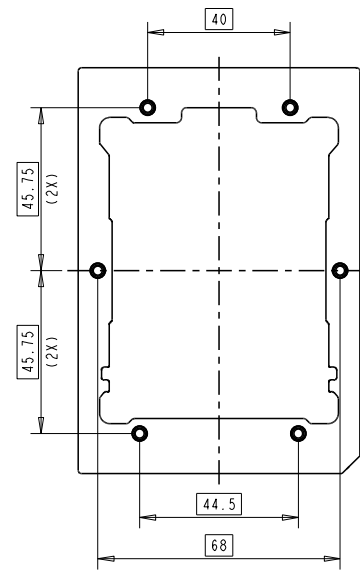
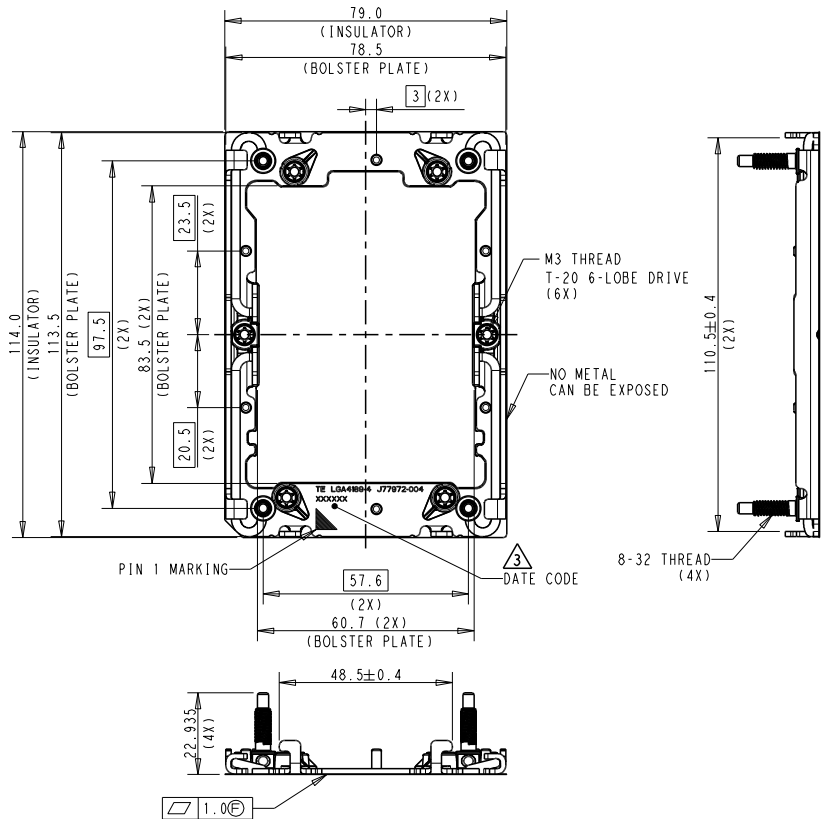


REVISIONS				
P	LTR	DESCRIPTION	DATE	APPV
B1		REVISED	03MAR20	J.W S.L

P/N: 2-2330550-1 AS SHOW



- NOTES:
- MATERIAL:
 - ① P4 TFLM BOLSTER PLATE: STAINLESS STEEL
 - ② P4 TFLM BOLSTER INSULATOR: -POLYCARBONATE FILM PLUS ACRYLIC ADHESIVE LAYER
 - ICX TFLM SPRING-1: MUSIC WIRE, NICKEL PLATING
 - ICX TFLM SPRING-2: MUSIC WIRE, NICKEL PLATING
 - ICX TFLM SPRING STUD: STAINLESS STEEL
 - ICX TFLM M3 NUT : CARBON STEEL, NICKEL PLATING
 - ICX TFLM NUT CAP-SIDE: THERMO-PLASTIC, UL94V-0, BLACK
 - ICX TFLM NUT CAP: THERMO-PLASTIC, UL94V-0, BLACK
 - ICX TFLM WIRE STOP PIN: STAINLESS STEEL
2. ASSEMBLED WITH BACKPLATE ASSEMBLY P/N: 2330551 SERIES
3. INDICATED DATE CODE ON THE BOLSTER PLATE

Q'TY	DESCRIPTION	ITEM
6	ICX TFLM WIRE STOP PIN	9
4	ICX TFLM NUT CAP, BLACK	8
2	ICX TFLM NUT CAP, SIDE, BLACK	7
6	ICX TFLM M3 NUT	6
4	ICX TFLM SPRING STUD	5
2	ICX TFLM SPRING-2	4
2	ICX TFLM SPRING-1	3
1	P4 TFLM BOLSTER INSULATOR	2
1	P4 TFLM BOLSTER PLATE	1

THIS DRAWING IS A CONTROLLED DOCUMENT.

DWG	08FEB2018	JEFF WANG
CHK	08FEB2018	BILL LV
APV	08FEB2018	SIMON LI

TE Connectivity

SOCKET P4 TFLM ASSY WITHOUT DUST COVER

SIZE: A200779 CAGE CODE: 2330550 DRAWING NO: 2330550

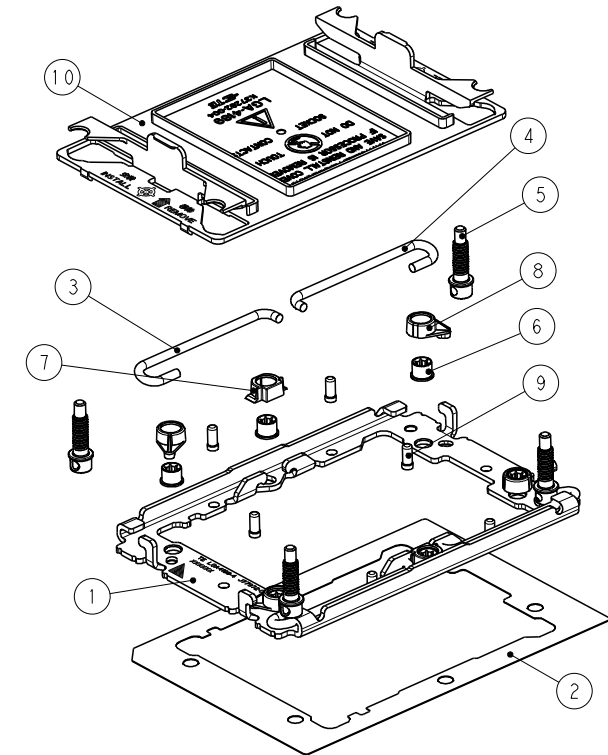
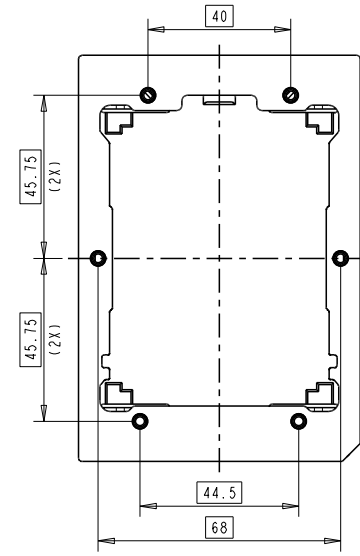
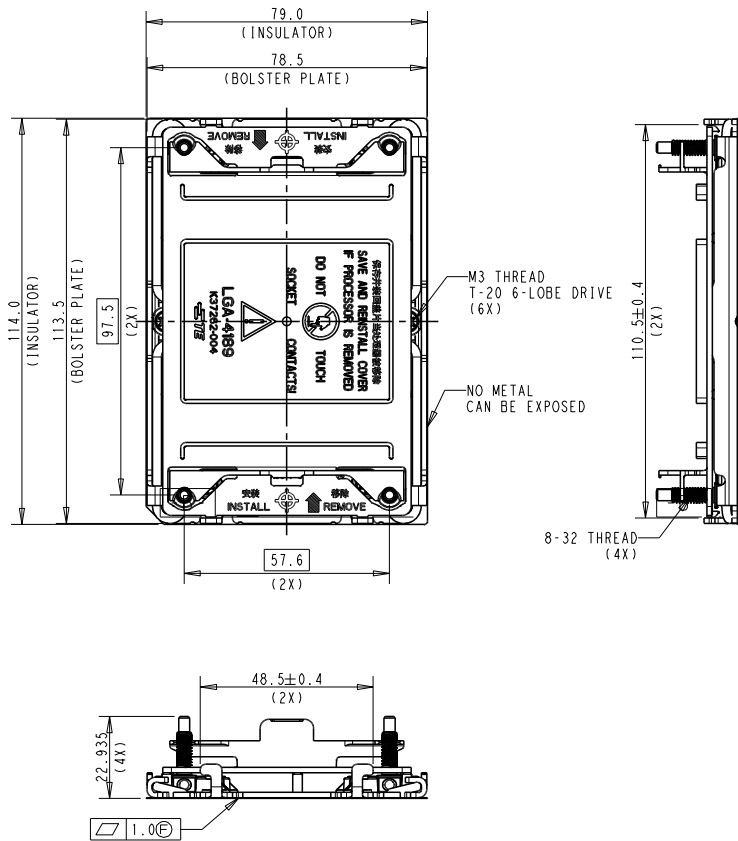
RESTRICTED TO: -

CUSTOMER DRAWING

SCALE: 1:1 SHEET: 1 OF 5 REV: B1

REVISIONS				
P	LTR	DESCRIPTION	DATE	OWN APVD
-	-	SEE SHEET 1	-	-

P/N: 2-2330550-2 AS SHOW



Q'TY	DESCRIPTION	ITEM
1	DUST COVER, GREY	10
6	ICX TFLM WIRE STOP PIN	9
4	ICX TFLM NUT CAP, BLACK	8
2	ICX TFLM NUT CAP, SIDE, BLACK	7
6	ICX TFLM M3 NUT	6
4	ICX TFLM SPRING STUD	5
2	ICX TFLM SPRING-2	4
2	ICX TFLM SPRING-1	3
1	P4 TFLM BOLSTER INSULATOR	2
1	P4 TFLM BOLSTER PLATE	1

- NOTES:
- MATERIAL:
 - P4 TFLM BOLSTER PLATE: STAINLESS STEEL
 - P4 TFLM BOLSTER INSULATOR: POLYCARBONATE FILM PLUS ACRYLIC ADHESIVE LAYER
 - ICX TFLM SPRING-1: MUSIC WIRE, NICKEL PLATING
 - ICX TFLM SPRING-2: MUSIC WIRE, NICKEL PLATING
 - ICX TFLM SPRING STUD: STAINLESS STEEL
 - ICX TFLM M3 NUT: CARBON STEEL, NICKEL PLATING
 - ICX TFLM NUT CAP-SIDE: THERMO-PLASTIC, UL94V-0, BLACK
 - ICX TFLM NUT CAP: THERMO-PLASTIC, UL94V-0, BLACK
 - ICX TFLM WIRE STOP PIN: STAINLESS STEEL
 - DUST COVER: PC+ABS, UL94V-0, GREY
 - ASSEMBLED WITH BACKPLATE ASSEMBLY P/N: 2330551 SERIES
 - BOLSTER ASSY WITH DUST COVER, ALL DIMENSIONS ARE THE SAME AS PN 2-2330550-1.

THIS DRAWING IS A CONTROLLED DOCUMENT. DWG: 08FEB2018
 CHG: JEFF WANG 08FEB2018
 BILL LV 08FEB2018
 APVD: SIMON LI 08FEB2018

JEFF WANG
 BILL LV
 SIMON LI

NAME: SIMON LI
 PRODUCT SPEC: -
 APPLICATION SPEC: -
 WEIGHT: -
 CUSTOMER DRAWING

TE Connectivity

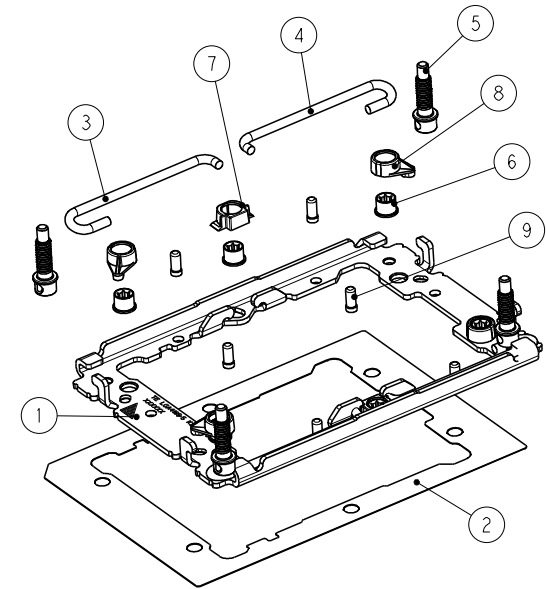
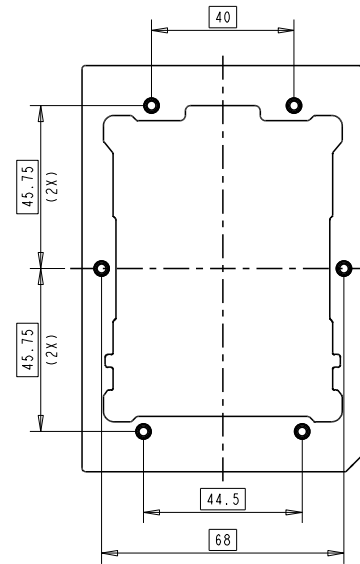
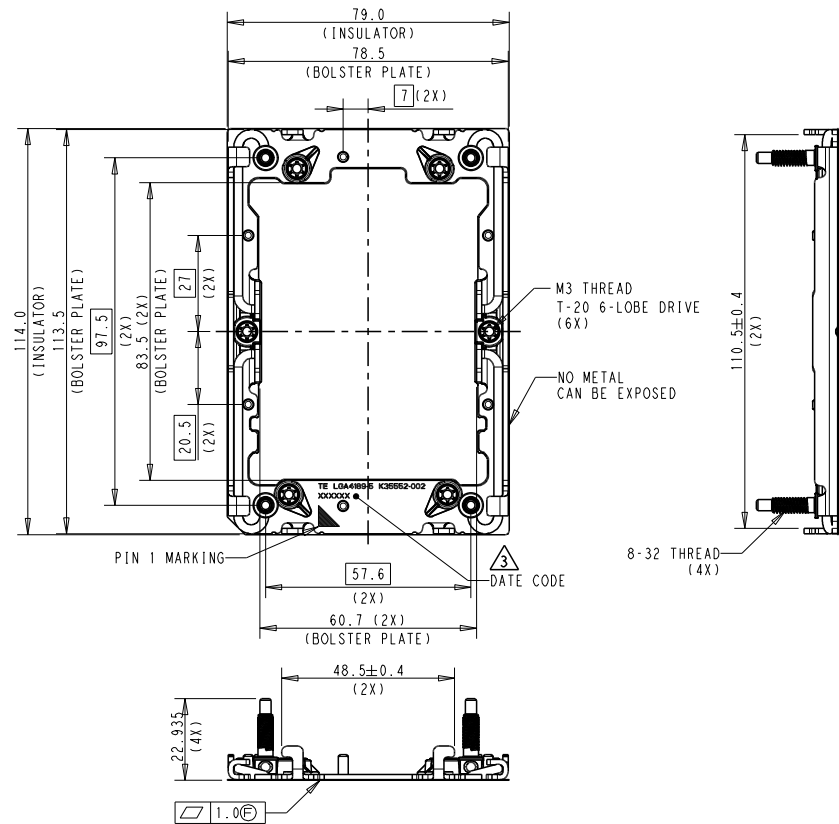
SOCKET P4 TFLM ASSY WITH DUST COVER

SIZE: A200779 CAGE CODE: C-2330550 DRAWING NO: -
 RESTRICTED TO: -

SCALE: 1:1 SHEET: 2 OF 5 REV: B1

REVISIONS				
P	LTR	DESCRIPTION	DATE	OWN APVD
-	-	SEE SHEET 1	-	-

P/N: 3-2330550-1 AS SHOW



NOTES:

- MATERIAL:
 - P5 TFLM BOLSTER PLATE: STAINLESS STEEL
 - P5 TFLM BOLSTER INSULATOR: -POLYCARBONATE FILM PLUS ACRYLIC ADHESIVE LAYER
 - ICX TFLM SPRING-1: MUSIC WIRE, NICKEL PLATING
 - ICX TFLM SPRING-2: MUSIC WIRE, NICKEL PLATING
 - ICX TFLM SPRING STUD: STAINLESS STEEL
 - ICX TFLM M3 NUT : CARBON STEEL, NICKEL PLATING
 - ICX TFLM NUT CAP-SIDE: THERMO-PLASTIC, UL94V-0, GREY
 - ICX TFLM NUT CAP: THERMO-PLASTIC, UL94V-0, GREY
 - ICX TFLM WIRE STOP PIN: STAINLESS STEEL
- ASSEMBLED WITH BACKPLATE ASSEMBLY P/N: 2330551 SERIES
- INDICATED DATE CODE ON THE BOLSTER PLATE

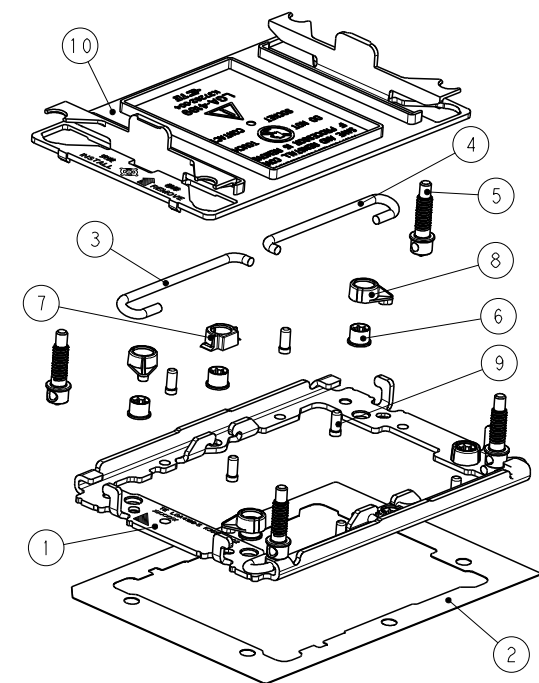
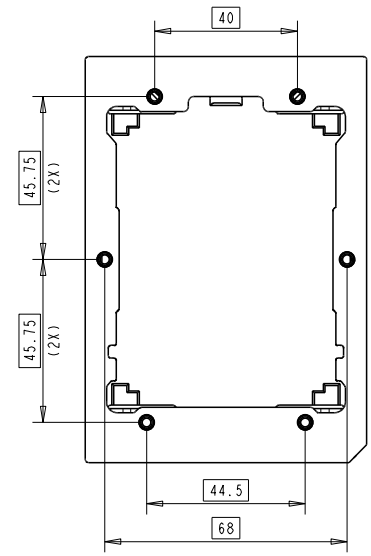
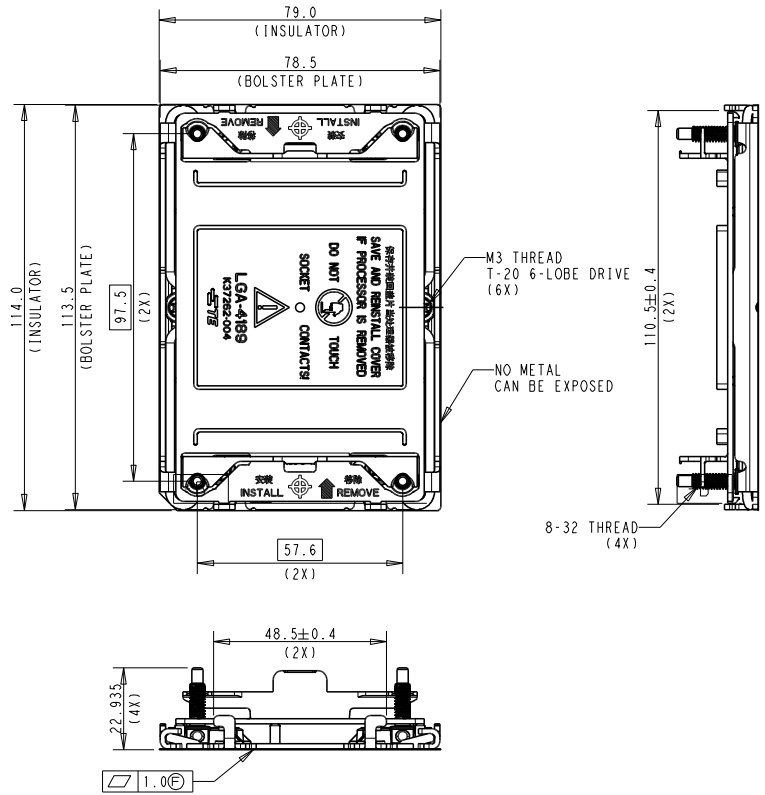
6	ICX TFLM WIRE STOP PIN	9
4	ICX TFLM NUT CAP, GREY	8
2	ICX TFLM NUT CAP, SIDE, GREY	7
6	ICX TFLM M3 NUT	6
4	ICX TFLM SPRING STUD	5
2	ICX TFLM SPRING-2	4
2	ICX TFLM SPRING-1	3
1	P5 TFLM BOLSTER INSULATOR	2
1	P5 TFLM BOLSTER PLATE	1
Q'TY	DESCRIPTION	ITEM

THIS DRAWING IS A CONTROLLED DOCUMENT.

DWG	JEFF WANG	08FEB2018	TE Connectivity
CHK	BILL LY	08FEB2018	
APVD	SIMON LI	08FEB2018	
DIMENSIONS		mm	NAME
0 PLC ±0.3 1 PLC ±0.3 2 PLC ±0.3 3 PLC ±0.3 4 PLC ±0.3 ANGLES ±0.3 FINISH -		PRODUCT SPEC APPLICATION SPEC WEIGHT CUSTOMER DRAWING	
MATERIAL		SIZE / CAGE CODE / DRAWING NO A200779 C-2330550	
		RESTRICTED TO SCALE 1:1 SHEET 3 OF 5 REV B1	

REVISIONS				
P	LTR	DESCRIPTION	DATE	OWN APVD
-	-	SEE SHEET 1	-	-

P/N: 3-2330550-2 AS SHOW



- NOTES:
 1. MATERIAL:
 ① P5 TFLM BOLSTER PLATE: STAINLESS STEEL
 ② P5 TFLM BOLSTER INSULATOR:
 -POLYCARBONATE FILM PLUS ACRYLIC ADHESIVE LAYER
 ③ ICX TFLM SPRING-1: MUSIC WIRE, NICKEL PLATING
 ④ ICX TFLM SPRING-2: MUSIC WIRE, NICKEL PLATING
 ⑤ ICX TFLM SPRING STUD: STAINLESS STEEL
 ⑥ ICX TFLM M3 NUT : CARBON STEEL, NICKEL PLATING
 ⑦ ICX TFLM NUT CAP-SIDE: THERMO-PLASTIC, UL94V-0, GREY
 ⑧ ICX TFLM NUT CAP: THERMO-PLASTIC, UL94V-0, GREY
 ⑨ ICX TFLM WIRE STOP PIN: STAINLESS STEEL
 ⑩ DUST COVER: PC+ABS,UL94V-0, GREY
 2. ASSEMBLED WITH BACKPLATE ASSEMBLY P/N: 2330551 SERIES
 3. BOLSTER ASSY WITH DUST COVER, ALL DIMENSIONS ARE THE SAME AS PN 3-2330550-1.

Q'TY	DESCRIPTION	ITEM
1	DUST COVER, GREY	10
6	ICX TFLM WIRE STOP PIN	9
4	ICX TFLM NUT CAP, GREY	8
2	ICX TFLM NUT CAP, SIDE, GREY	7
6	ICX TFLM M3 NUT	6
4	ICX TFLM SPRING STUD	5
2	ICX TFLM SPRING-2	4
2	ICX TFLM SPRING-1	3
1	P5 TFLM BOLSTER INSULATOR	2
1	P5 TFLM BOLSTER PLATE	1

THIS DRAWING IS A CONTROLLED DOCUMENT. DWG: 08FEB2018
 CHG: JEFF WANG 08FEB2018
 BILL LV 08FEB2018
 APVD: SIMON LI 08FEB2018

JEFF WANG
 BILL LV
 SIMON LI

TE Connectivity

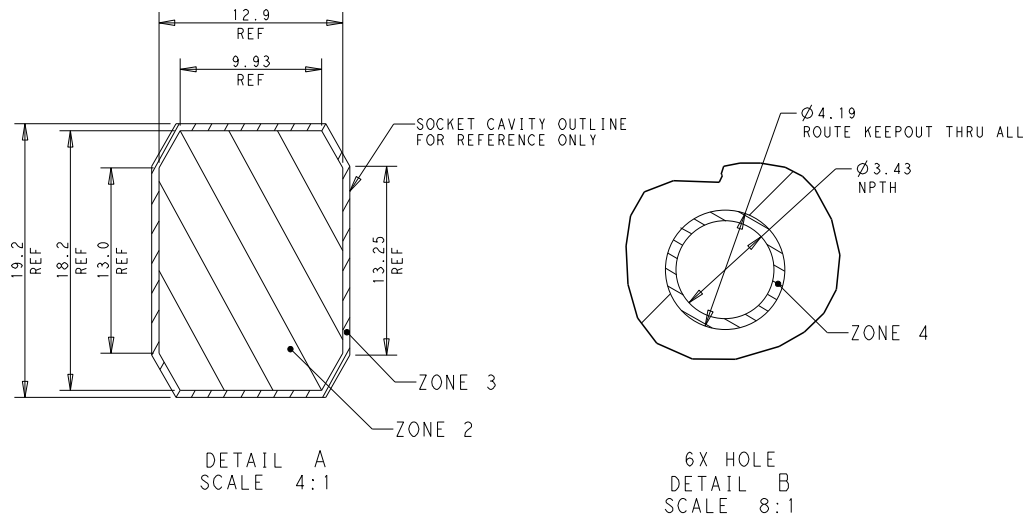
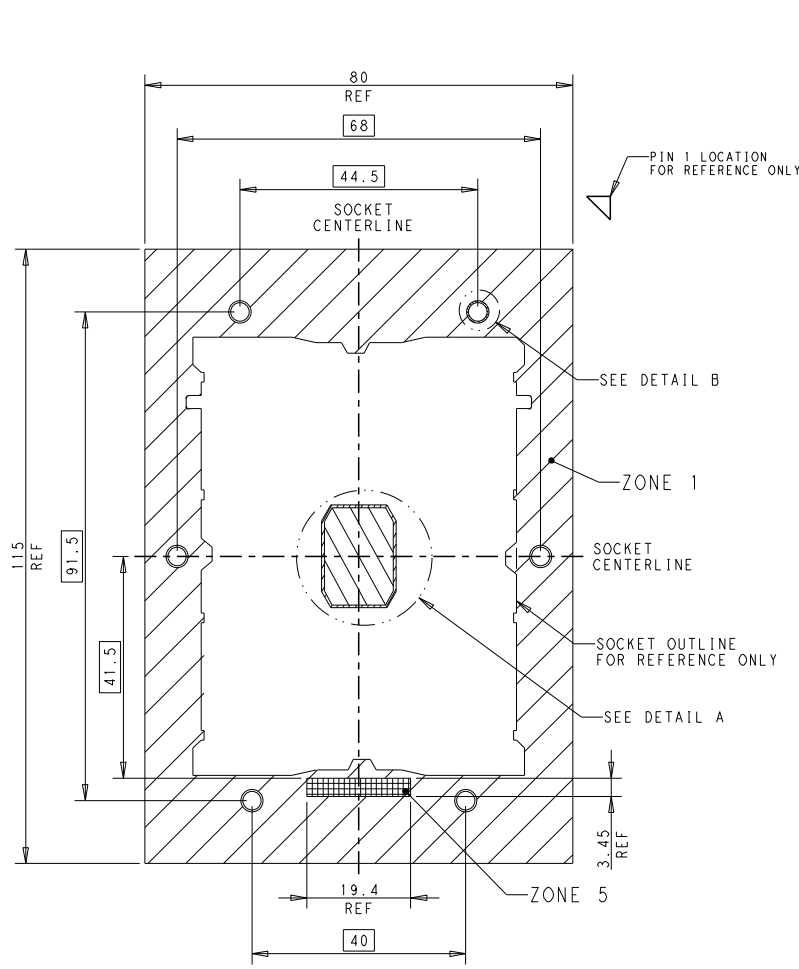
SOCKET P5 TFLM ASSY WITH DUST COVER

SIZE: A200779 CAGE CODE: C-2330550 DRAWING NO: -
 WEIGHT: -
 MATERIAL: -
 FINISH: -

CUSTOMER DRAWING

SCALE: 1:1 SHEET: 4 OF 5 REV: B1

REVISIONS				
P	LTR	DESCRIPTION	DATE	OWN APVD
-	-	SEE SHEET 1	-	-



KOZ LEGEND	
	ZONE 1: BOLSTER PLATE ZONE, NO OTHER COMPONENT PLACEMENT ALLOWED, 0.0MM HEIGHT RESTRICTION
	ZONE 2: SOCKET CAVITY 1.222 MM MAX HEIGHT RESTRICTION
	ZONE 3: SOCKET CAVITY TO SOCKET ZONE NO OTHER COMPONENT PLACEMENT ALLOWED, 0.0MM HEIGHT RESTRICTION
	ZONE 4: NO ROUTE ZONE, THROUGH ALL LAYERS
	ZONE 5: PRIMARY SIDE COMPONENT PLACEMENT ZONE MAX. COMPONENT HEIGHT OF 1.5MM

REFERENCE BOLSTER KEEPOUT ZONE

FOR GENERAL BOARD DESIGN, PLEASE REFER TO THE THERMAL AND MECHANICAL DESIGN GUIDELINES PROVIDED BY INTEL

THIS DRAWING IS A CONTROLLED DOCUMENT.		DMN JEFF WANG 08FEB2018	TE Connectivity
DIMENSIONS mm		CHK BILL LV 08FEB2018	
		APVD SIMON LI 08FEB2018	
TOLERANCES UNLESS OTHERWISE SPECIFIED: 0 PLC ±0.3 1 PLC ±0.3 2 PLC ±0.3 3 PLC ±0.3 4 PLC ±0.3 ANGLES ±0.3 FINISH -		NAME SIMON LI	PRODUCT SPEC -
MATERIAL -		APPLICATION SPEC -	SIZE CAGE CODE DRAWING NO RESTRICTED TO
		WEIGHT -	A200779 C=2330550
		CUSTOMER DRAWING	SCALE 3:2 SHEET 5 OF 5 REV B1

单击下面可查看定价，库存，交付和生命周期等信息

[>>TE Connectivity\(泰科\)](#)