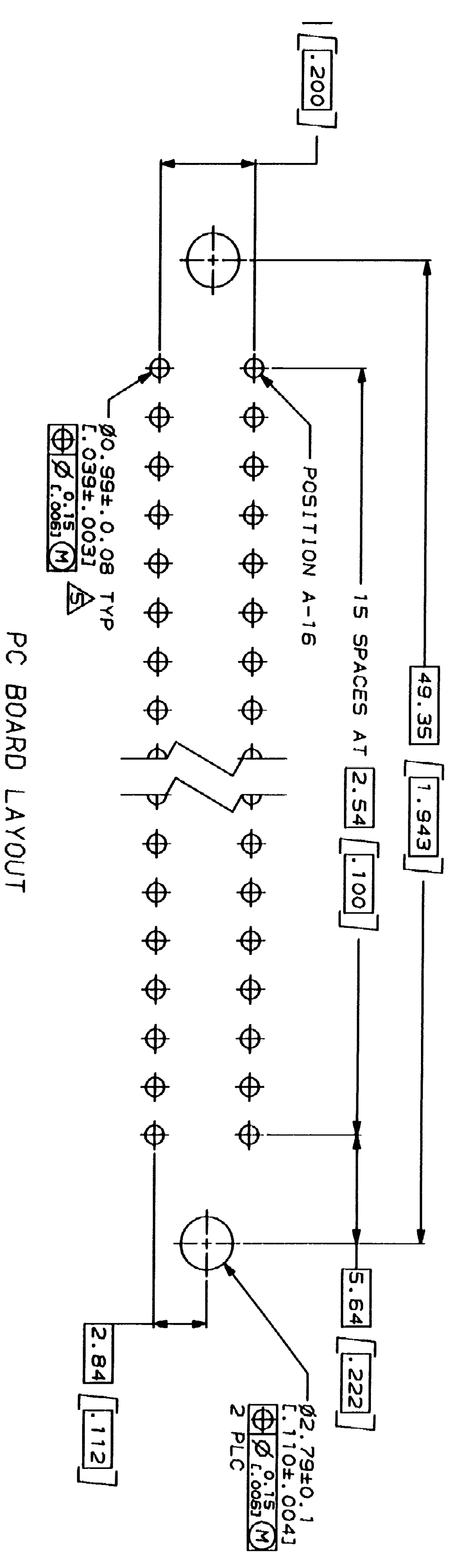
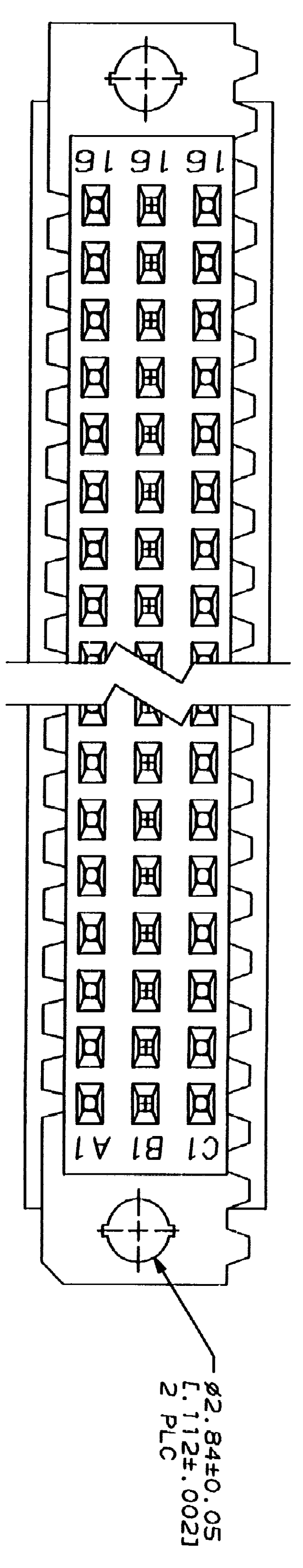
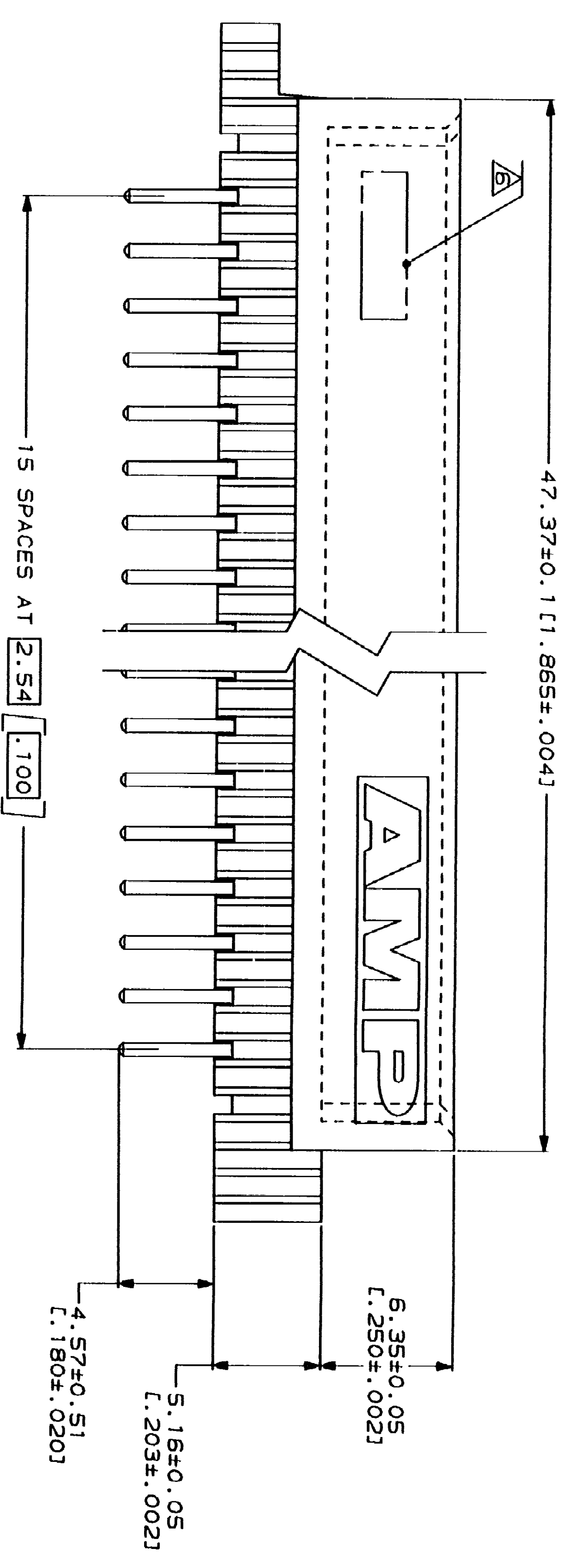
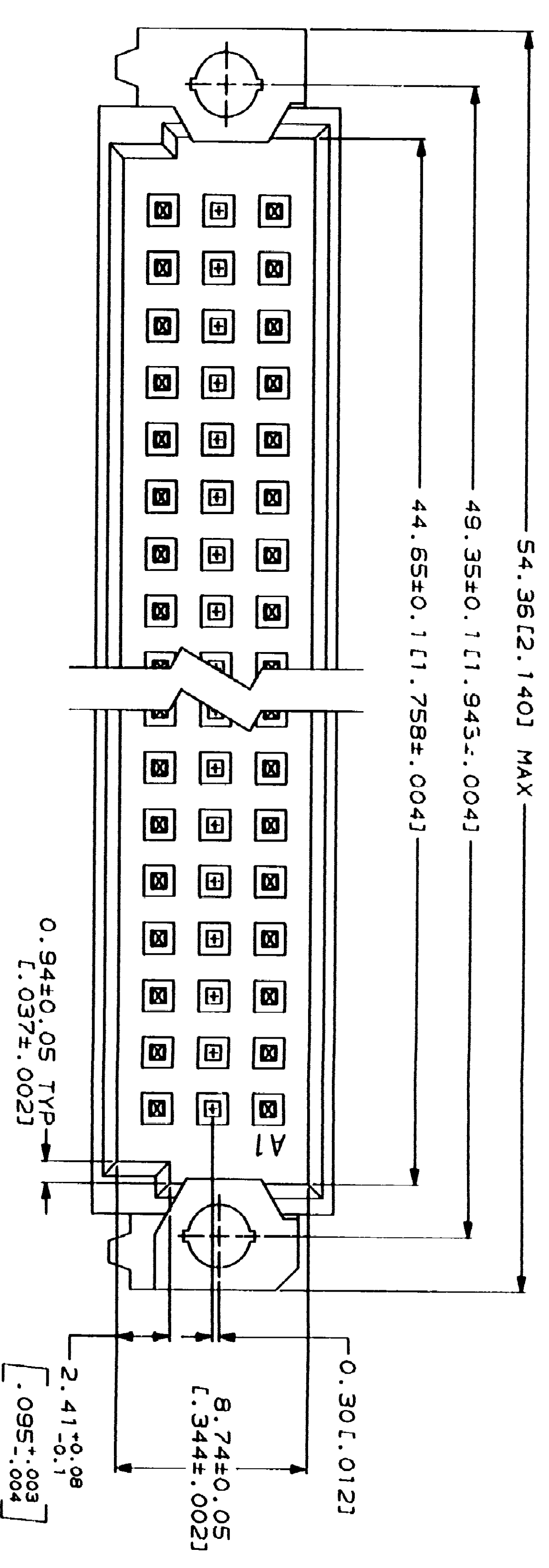


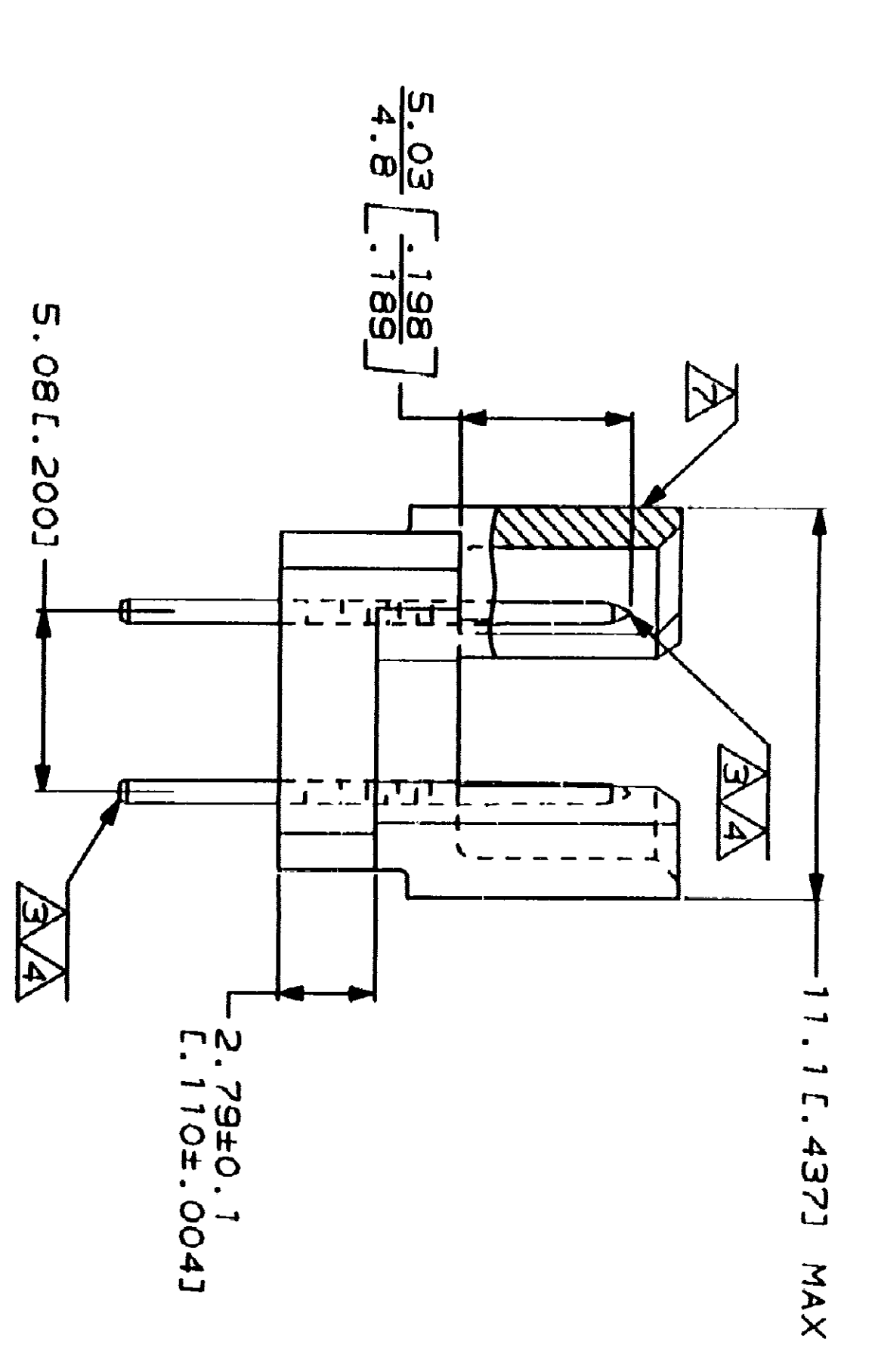
DATE	APP'D
1/17/91	LSB
12/26/91	LSB
6/26/92	LSB
5/26/93	LSB
3/26/94	LSB

REV	DATE	BY	DESCRIPTION
0			DRAWN
B			ECN A055861 A05640
C			ECN A05876
D			ECN A05871
E			ECN A06256
F			EC 0010-0613-93
G			EC 0010-0498-94

PROJECTION	RELEASED FOR PUBLICATION	BY	DATE	DESCRIPTION
			1/19	



- △ HOUSING MATERIAL: GLASS-FILLED POLYESTER. COLOR: GRAY.
- △ POST MATERIAL: BRASS.
- △ POST FINISH: DIN 41612 CLASS 3 IN CONTACT AREA.
- △ TIN-LEAD PLATE ON POSTS.
- △ POST FINISH: DIN 41612 CLASS 2 IN CONTACT AREA.
- △ TIN-LEAD PLATE ON POSTS.
- △ RECOMMENDED HOLE SIZE FOR MANUAL APPLICATION OF CONNECTOR ONTO PC BOARD.
- △ [PART NUMBER, DATE CODE] MARKED THIS APPROXIMATE AREA.
- △ MARKING ON THIS SIDE.



OBsolete	3	1-16	X	-	X	32
			X	-	X	32

NOTES	POSITIONS LOADED	ROWS LOADED	NO. OF LOADED POSITIONS	ASSY
	C	B	A	

DO NOT SCALE PRINT. UNLESS SPECIFIED DIMENSIONS IN mm (INCHES)	DR	DATE	NAME
1 PLG DEC ± 0.131 (0.005)	L. BRINER	3/18/91	AMP
2 PLG DEC ± 0.131 (0.005)	D.C. RUBENDALL	3/26/91	AMP
	D.C. RUBENDALL	3/26/91	AMP
	K.R. PARKER	3/26/91	AMP

RT NUMBER	DATE	BY	DESCRIPTION
936-9			
936-5			

1 OF 1 DRAWING CUSTOMER

Downloaded From [dynac.com](https://www.dynac.com)

单击下面可查看定价，库存，交付和生命周期等信息

[>>TE Connectivity\(泰科\)](#)