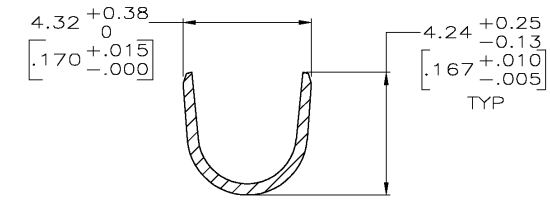
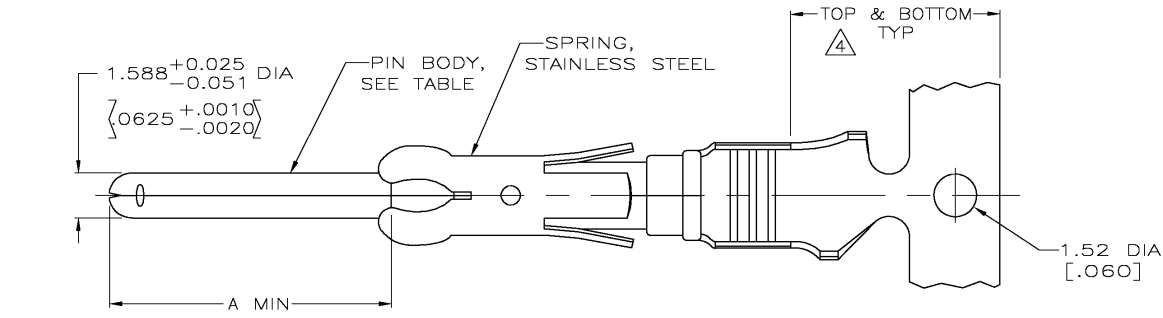
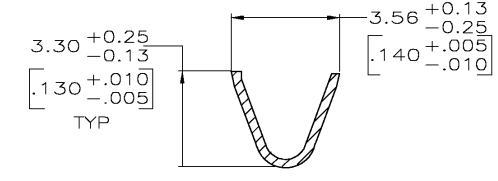
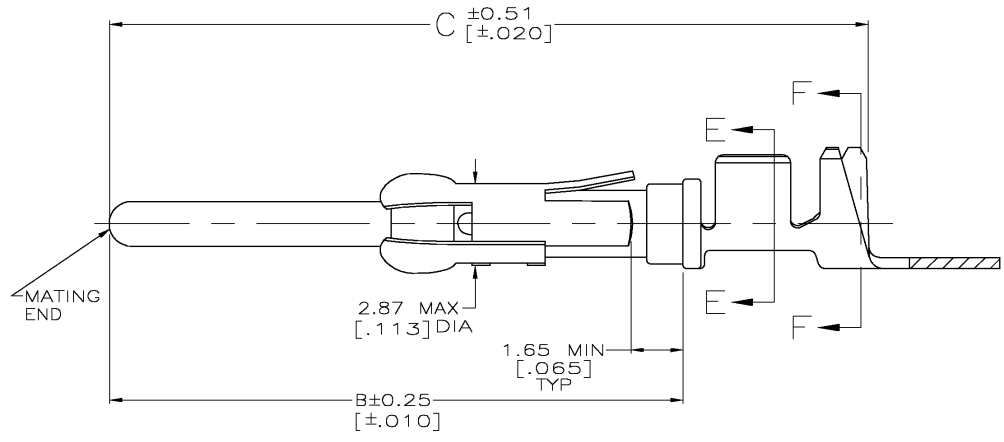


THIS DRAWING IS UNPUBLISHED. RELEASED FOR PUBLICATION  
 © COPYRIGHT BY TYCO ELECTRONICS CORPORATION. ALL RIGHTS RESERVED.

LOC	DIST	REVISIONS					
FT	0	P	LTR	DESCRIPTION	DATE	DWN	APVD
		U		REVISED PER 0G3B-0841-03	11/5/03	SS	GS



SECTION F-F



SECTION E-E

- 1 REELED FOR MINI-APPLICATOR.
- 2 0.76 $\mu$ m [.000030] MIN GOLD PER MIL-G-45204 ON MATING END FOR A LENGTH OF 5.08 [.200] MIN WITH GOLD FLASH ON THE REMAINDER, OVER 1.27 $\mu$ m [.000050] MIN NICKEL PER QQ-N-290.
- 3 1.27 $\mu$ m [.000050] MIN TIN-LEAD PER MIL-T-10727 OVER 1.27 $\mu$ m [.000050] MIN NICKEL PER QQ-N-290. GOLD PLATING NEED NOT APPEAR IN THIS AREA.
- 4 BRASS
- 5 PHOSPHOR BRONZE
- 7 WIRE RANGE 14-18 AWG.
- 8 INSULATION RANGE 2.79[.110]-3.81[.150] DIA.
- 9 0.38 $\mu$ m [.000015] MIN GOLD PER MIL-G-45204 ON MATING END FOR A LENGTH OF 5.08 [.200] MIN, 1.27 $\mu$ m [.000050] MIN TIN-LEAD PER MIL-T-10727 FOR A LENGTH OF 5.69 [.224] MIN ON OPPOSITE END, BOTH OVER 1.27 $\mu$ m [.000050] MIN NICKEL PER QQ-N-290 ON ENTIRE CONTACT.
- 10 OBSOLETE PART NUMBER.
- 11 1.27 $\mu$ m [.000050] MIN TIN PER MIL-T-10727 OVER 1.27 $\mu$ m [.000050] MIN NICKEL PER QQ-N-290.
- 12 COPPER NICKEL ALLOY.

26.75[1.053]	20.24[.797]	9.91[.390]	11	12	1-66602-0	1-66597-1	
26.75[1.053]	20.24[.797]	9.91[.390]	11	12	66602-9	1-66597-0	
26.75[1.053]	20.24[.797]	9.91[.390]	11	12	-	66597-9	
26.75[1.053]	20.24[.797]	9.91[.390]	11	12	66602-8	66597-8	
26.75[1.053]	20.24[.797]	9.91[.390]	11	12	66602-5	66597-7	
30.43[1.198]	23.93[.942]	13.59[.535]	11	12	-	66597-6	
26.75[1.053]	20.24[.797]	9.91[.390]	11	12	66602-4	66597-5	
26.75[1.053]	20.24[.797]	9.91[.390]	11	12	66602-3	66597-4	
26.75[1.053]	20.24[.797]	9.91[.390]	11	12	66602-2	66597-2	
26.75[1.053]	20.24[.797]	9.91[.390]	11	12	66602-1	66597-1	
C	B	A	REELING	PIN BODY FINISH	PIN BODY	LOOSE PIECE REF	PART NO

THIS DRAWING IS A CONTROLLED DOCUMENT.

DIMENSIONS: INCHES

TOLERANCES UNLESS OTHERWISE SPECIFIED:

0 PLC	± -
1 PLC	± -
2 PLC	± 0.1[.005]
3 PLC	± -
4 PLC	± -
ANGLES	± -

MATERIAL: SEE CALLOUTS

FINISH: SEE TABLE

APVD: J. WESTMAN

PRODUCT SPEC: -

APPLICATION SPEC: -

WEIGHT: -

CUSTOMER DRAWING

DWN: R. SHIREY 7-22-91

CHK: R. STONE 8-15-91

NAME: PIN ASSEMBLY, .062, TYPE III+

SIZE: A2

CAGE CODE: 00779

DRAWING NO: 66597

RESTRICTED TO: -

SCALE: 8:1

SHEET: 1 OF 1

REV: U

单击下面可查看定价，库存，交付和生命周期等信息

[>>TE Connectivity\(泰科\)](#)