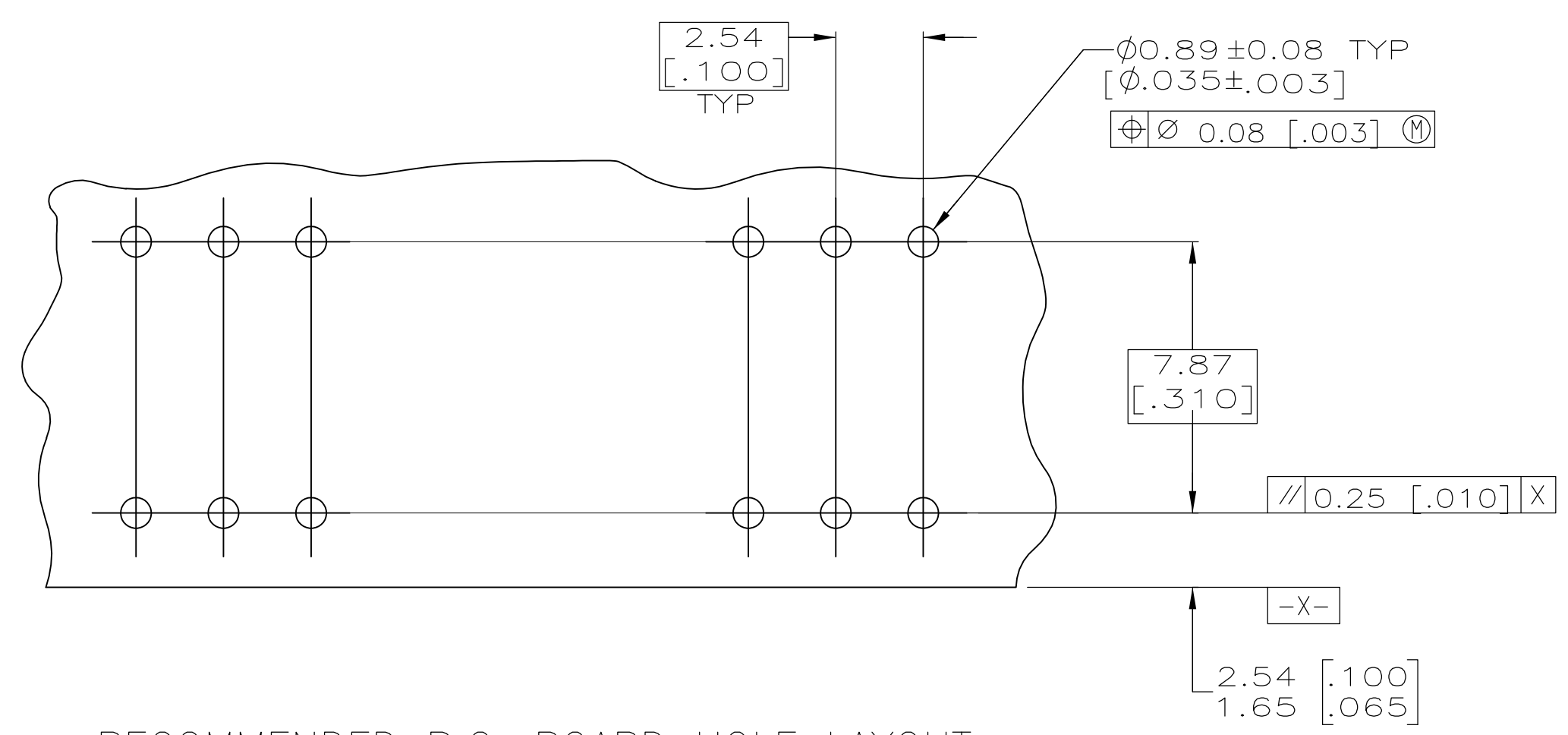
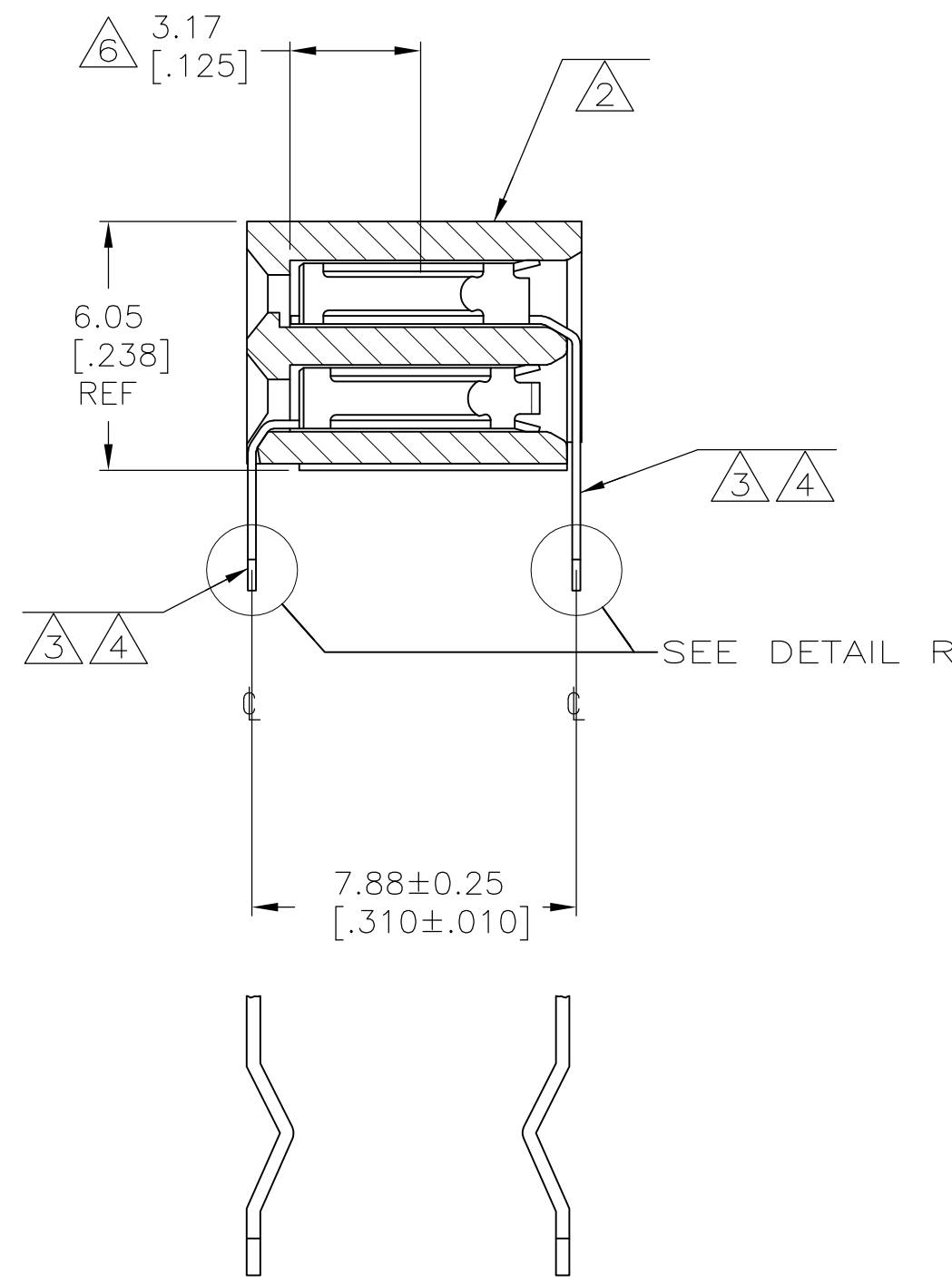
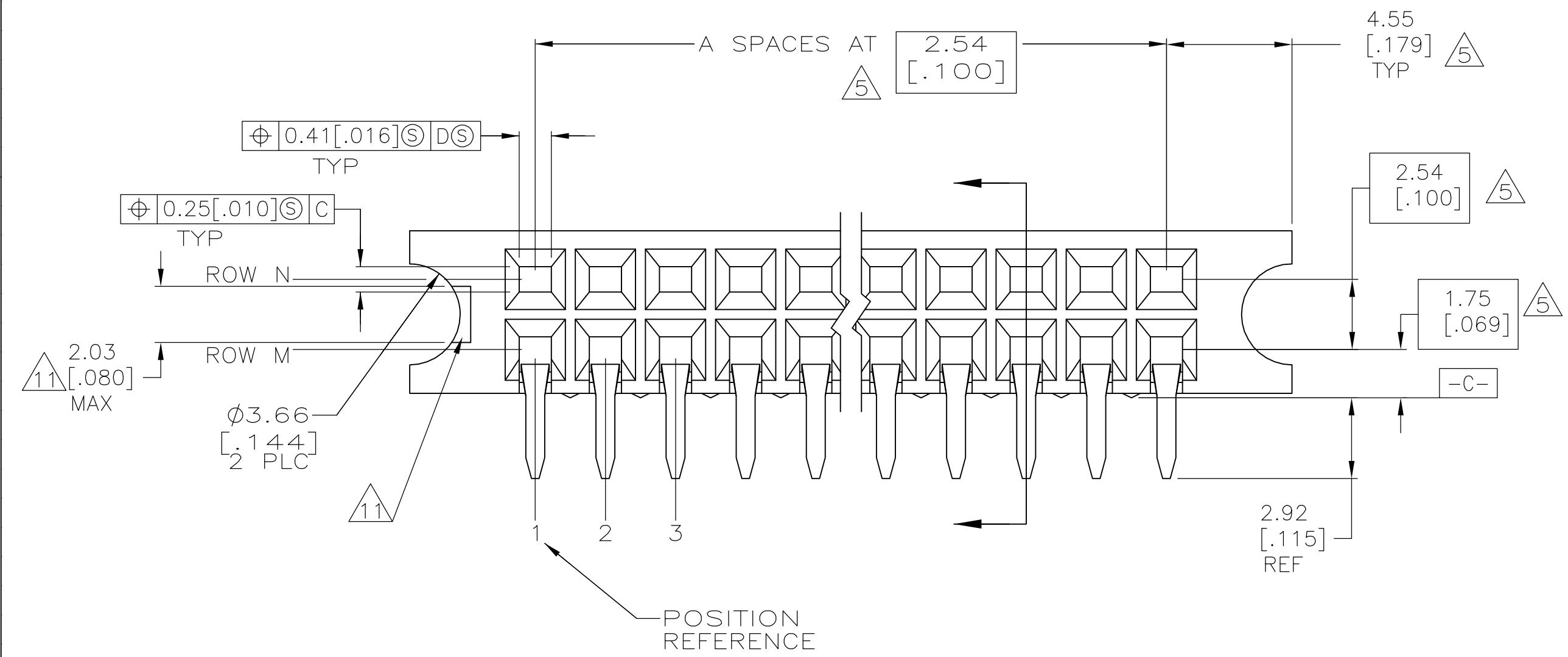
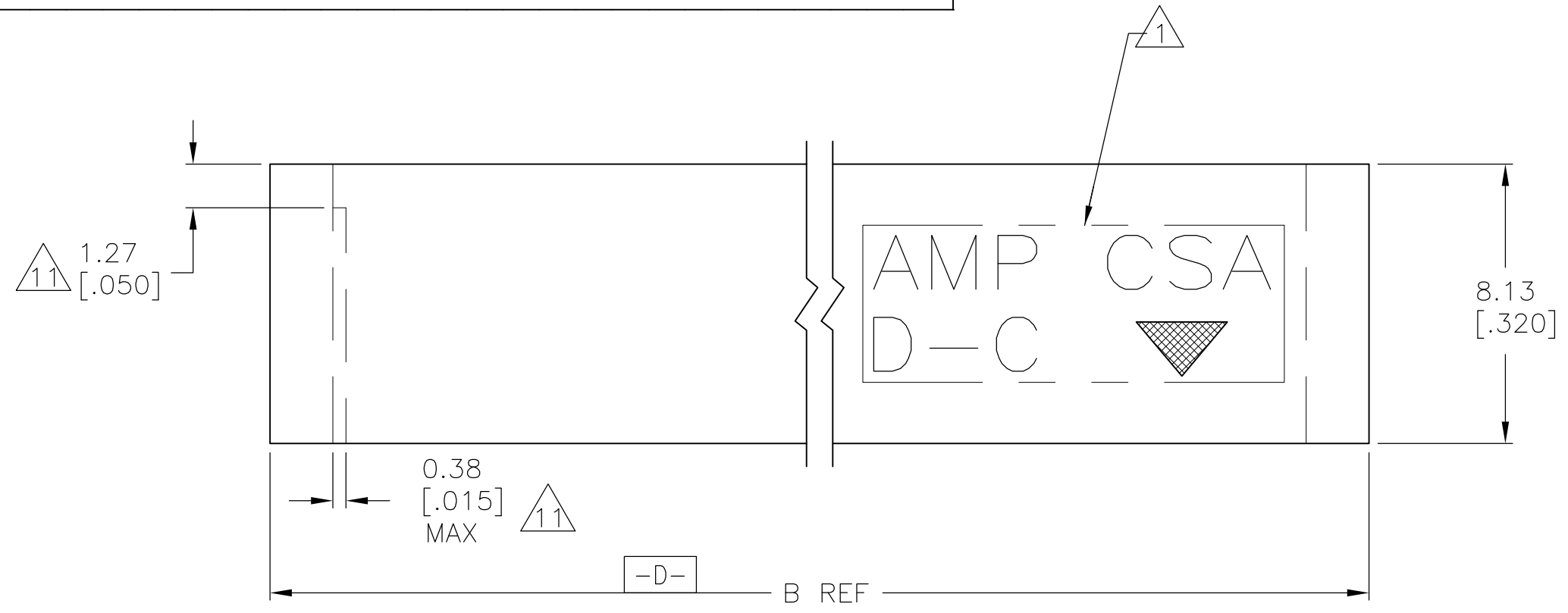


REVISONS		DATE	BY	APPV
S4	REVISED PER ECO-11-004587	11MAR11	RK	HMR



RECOMMENDED P.C. BOARD HOLE LAYOUT

DETAIL R
BOARD RETENTION FEATURE
SCALE 10:1

- 1 "AMP", "CSA", "▼" AND "DATE CODE" WITH .062 ±0.015 HIGH CHARACTERS WHERE SIZE PERMITS.
- 2 HOUSING: 1-70 POSITION SIZES MAY BE PPS, GLASS-FILLED OR PCT, GLASS-FILLED, POSITION SIZES GREATER THAN 70 WILL BE PPS, GLASS-FILLED.
- 3 CONTACT: PHOSPHOR BRONZE.
- 4 CONTACT FINISH: DUPLEX PLATED 0.00076 [0.00030] GOLD IN CONTACT AREA, 0.00127-0.00254 [0.00050-0.00100] BRIGHT TIN-LEAD ON SOLDER TAILS, ALL OVER 0.00127 [0.00050] NICKEL.
- 5 THESE DIMENSIONS PERTAIN TO CAVITY C'S ONLY, NOT TO CONTACT LOCATIONS.
- 6 POINT OF MEASUREMENT FOR PLATING THICKNESS (INSIDE CONTACT BEAMS).
- 7. CSA LOGO INK STAMPED WHITE ON HOUSING.
- 8 PRELIMINARY PART - NOT RELEASED FOR PRODUCTION
- 9 CONTACT FINISH: DUPLEX PLATED 0.00076 [0.00030] GOLD IN CONTACT AREA, 0.00127-0.00254 [0.00050-0.00100] MATTE TIN ON SOLDER TAILS, ALL OVER 0.00127 [0.00050] NICKEL.
- 10 ROHS 2002/95/EC COMPLIANT.
- 11 RECESSED AREA AROUND MOLD GATE IS OPTIONAL. THIS FEATURE IS ALLOWABLE ON EITHER SIDE OF HOUSING OR MAY NOT BE PRESENT AT ALL.
- 12 OBSOLETE PARTS: OBSOLETE CIS STREAMLINING PER D.RENAUD/D.SINISI

REV	DESCRIPTION	DATE	BY	APPV		
12	OBSOLETE	1, 4	1, 4	16.71 [0.658]		
12	OBSOLETE	1, 3	1, 3	14.17 [0.558]		
12	OBSOLETE	1, 2, 50, 51, 99, 100	1, 2, 50, 51, 99, 100	260.55 [10.258]		
12	OBSOLETE	1, 2, 40, 41, 79, 80	1, 2, 40, 41, 79, 80	209.75 [8.258]		
12	OBSOLETE	1, 2, 35, 36, 69, 70	1, 2, 35, 36, 69, 70	184.35 [7.258]		
12	OBSOLETE	1, 2, 32, 33, 64, 65	1, 2, 32, 33, 64, 65	171.65 [6.758]		
12	OBSOLETE	1, 2, 27, 28, 54, 55	1, 2, 27, 28, 54, 55	146.25 [5.758]		
12	OBSOLETE	1, 2, 47, 48	1, 2, 47, 48	128.47 [5.058]		
12	OBSOLETE	1, 2, 35, 36	1, 2, 35, 36	97.99 [3.858]		
12	OBSOLETE	1, 2, 34, 35	1, 2, 34, 35	95.45 [3.758]		
12	OBSOLETE	1, 2, 19, 20	1, 2, 19, 20	57.35 [2.258]		
12	OBSOLETE	1, 2, 11, 12	1, 2, 11, 12	37.03 [1.458]		
12	OBSOLETE	1, 2, 7, 8	1, 2, 7, 8	26.87 [1.058]		
12	OBSOLETE	1, 2, 9, 10	1, 2, 9, 10	31.95 [1.258]		
12	OBSOLETE	1, 2, 39, 40	1, 2, 39, 40	108.15 [4.258]		
12	OBSOLETE	1, 2, 30, 31, 59, 60	1, 2, 30, 31, 59, 60	158.95 [6.258]		
12	OBSOLETE	1, 2, 25, 26, 49, 50	1, 2, 25, 26, 49, 50	133.55 [5.258]		
12	OBSOLETE	1, 2, 29, 30	1, 2, 29, 30	82.75 [3.258]		
12	OBSOLETE	1, 2, 14, 15	1, 2, 14, 15	44.65 [1.758]		
12	OBSOLETE	1, 2, 17, 18	1, 2, 17, 18	52.27 [2.058]		
12	OBSOLETE	1, 2, 5, 6	1, 2, 5, 6	21.79 [0.858]		
12	OBSOLETE	1, 2, 24, 25	1, 2, 24, 25	70.05 [2.758]		
12	OBSOLETE	1, 4	1, 4	16.71 [0.658]		
12	OBSOLETE	1, 3	1, 3	14.17 [0.558]		
12	OBSOLETE	1, 2, 50, 51, 99, 100	1, 2, 50, 51, 99, 100	260.55 [10.258]		
12	OBSOLETE	1, 2, 40, 41, 79, 80	1, 2, 40, 41, 79, 80	209.75 [8.258]		
12	OBSOLETE	1, 2, 35, 36, 69, 70	1, 2, 35, 36, 69, 70	184.35 [7.258]		
12	OBSOLETE	1, 2, 32, 33, 64, 65	1, 2, 32, 33, 64, 65	171.65 [6.758]		
12	OBSOLETE	1, 2, 27, 28, 54, 55	1, 2, 27, 28, 54, 55	146.25 [5.758]		
12	OBSOLETE	1, 2, 47, 48	1, 2, 47, 48	128.47 [5.058]		
12	OBSOLETE	1, 2, 35, 36	1, 2, 35, 36	97.99 [3.858]		
12	OBSOLETE	1, 2, 34, 35	1, 2, 34, 35	95.45 [3.758]		
12	OBSOLETE	1, 2, 19, 20	1, 2, 19, 20	57.35 [2.258]		
12	OBSOLETE	1, 2, 11, 12	1, 2, 11, 12	37.03 [1.458]		
12	OBSOLETE	1, 2, 7, 8	1, 2, 7, 8	26.87 [1.058]		
12	OBSOLETE	1, 2, 9, 10	1, 2, 9, 10	31.95 [1.258]		
12	OBSOLETE	1, 2, 39, 40	1, 2, 39, 40	108.15 [4.258]		
12	OBSOLETE	1, 2, 30, 31, 59, 60	1, 2, 30, 31, 59, 60	158.95 [6.258]		
12	OBSOLETE	1, 2, 25, 26, 49, 50	1, 2, 25, 26, 49, 50	133.55 [5.258]		
12	OBSOLETE	1, 2, 29, 30	1, 2, 29, 30	82.75 [3.258]		
12	OBSOLETE	1, 2, 14, 15	1, 2, 14, 15	44.65 [1.758]		
12	OBSOLETE	1, 2, 17, 18	1, 2, 17, 18	52.27 [2.058]		
12	OBSOLETE	1, 2, 5, 6	1, 2, 5, 6	21.79 [0.858]		
12	OBSOLETE	1, 2, 24, 25	1, 2, 24, 25	70.05 [2.758]		
FINISH	ROW M	ROW N	B	A	NO OF POSN	PART NUMBER
POSITION WITH BOARD RETENTION						

THIS DRAWING IS A CONTROLLED DOCUMENT. DIMENSIONS: mm [INCHES]. TOLERANCES UNLESS OTHERWISE SPECIFIED: 0 PLC ±, 1 PLC ±, 2 PLC ±, 3 PLC ±, 4 PLC ±. MATERIAL: 2/3. FINISH: SEE TABLE. THIS DRAWING IS A CONTROLLED DOCUMENT. DIM: T. HOFFMAN 4/29/96. CHK: A. GABANY 5/7/96. APVD: -. NAME: -. PRODUCT SPEC: -. APPLICATION SPEC: -. SIZE: A1. CAE CODE: 00779. DRAWING NO: 534204. WEIGHT: -. RESTRICTED TO: -. CUSTOMER DRAWING. SCALE: 6:1. SHEET: 1 of 1. REV: S4.

单击下面可查看定价，库存，交付和生命周期等信息

[>>TE Connectivity\(泰科\)](#)