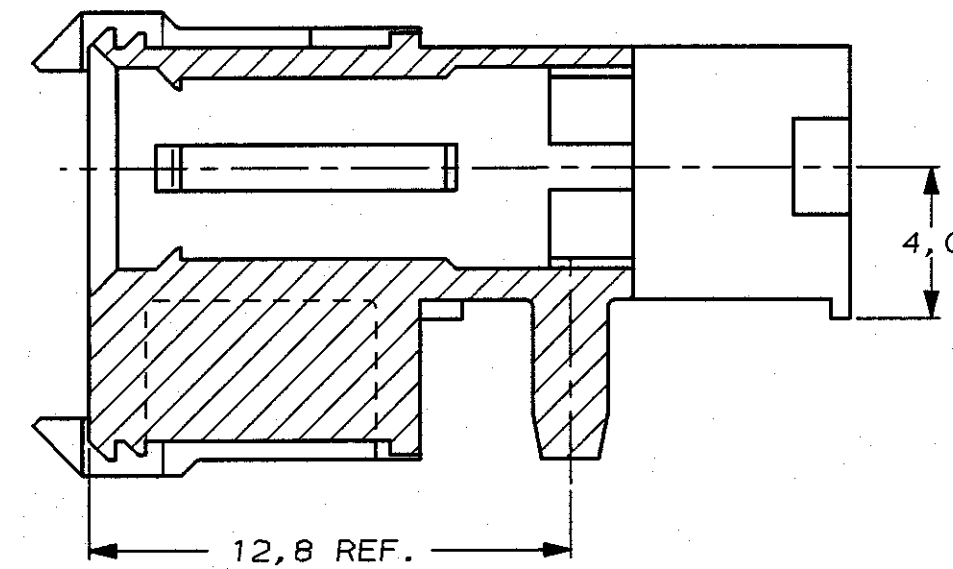
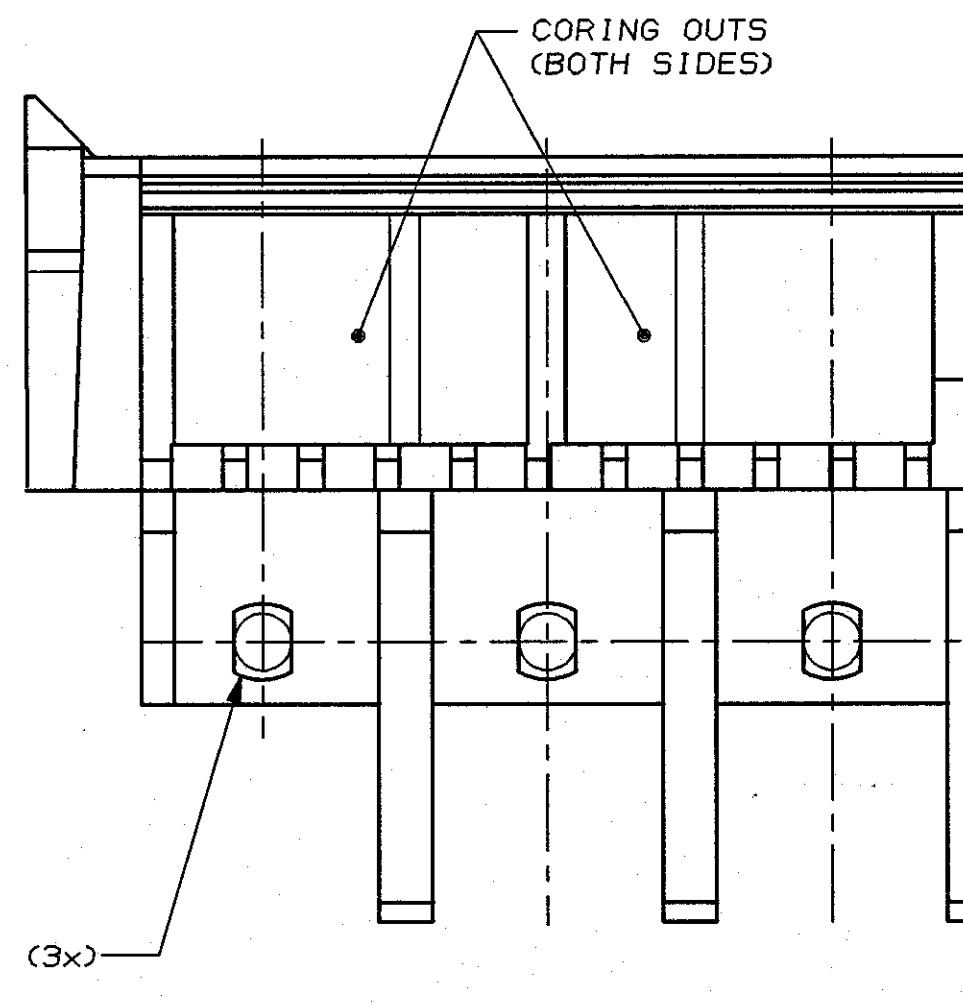
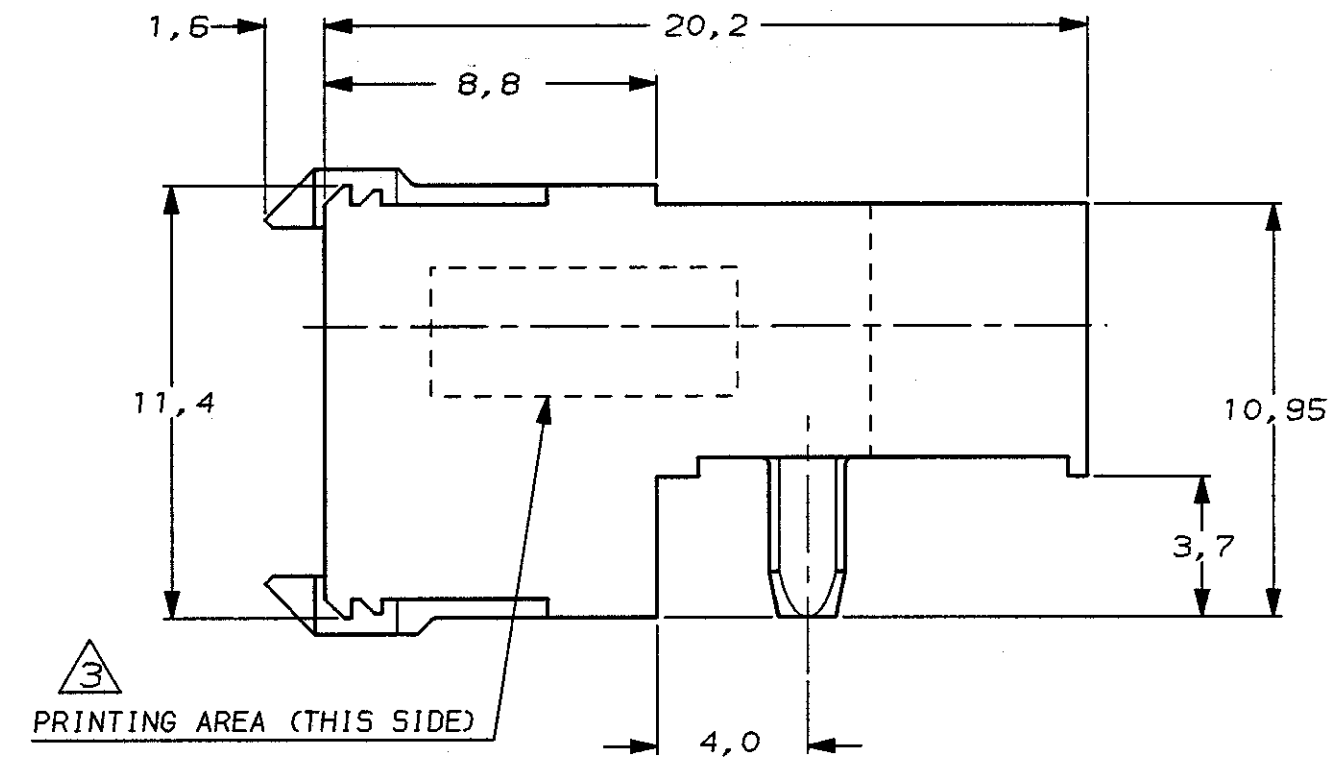
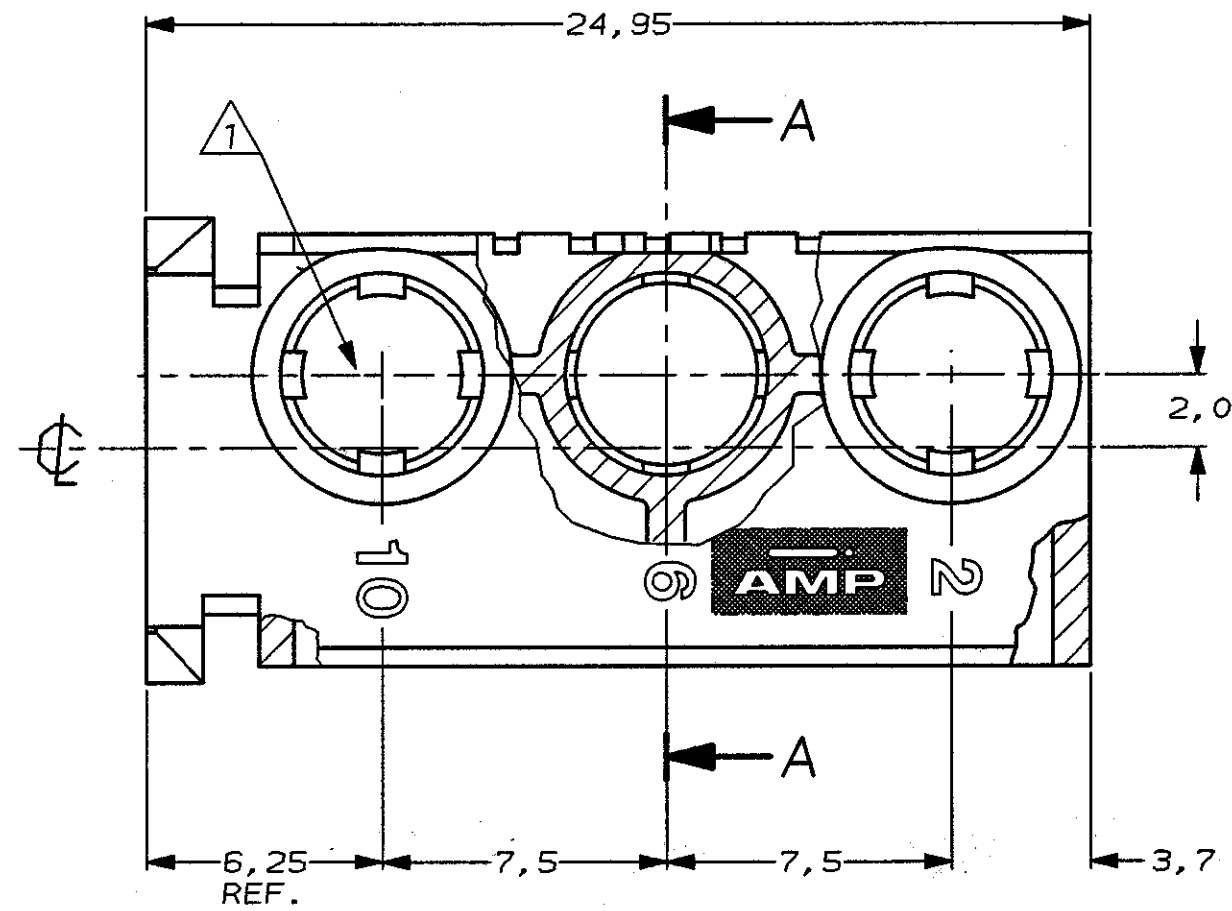


DO NOT SCALE
DIMENSIONS IN mm

METRIC

THIRD ANGLE
PROJECTION

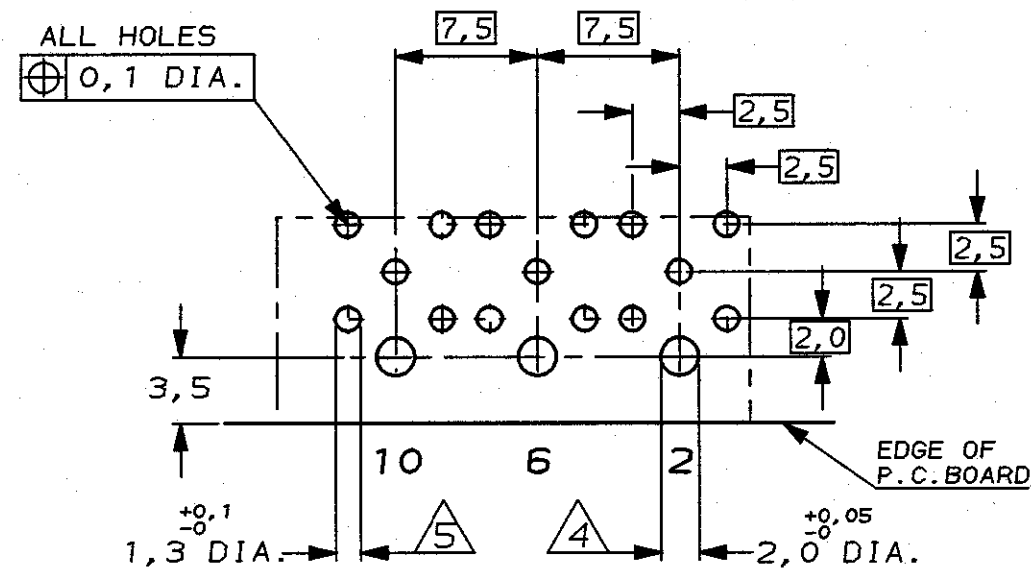


SECTION A-A

FIXING NIPPLE (3x)
(PRESS FIT)

PRELIMINARY

- ⚠ CONTACT CAVITIES SUITABLE FOR 4,8 DIA. HIGH CURRENT, HIGH FREQUENCY OR FIBRE OPTIC CONTACTS AS PER DIN 41626 (SEE ALSO NOTE 5).
- ⚠ MATERIAL HOUSING : GREY GLASSFILLED POLYESTER.
- ⚠ CONNECTOR PRINTED WITH PARTNUMBER AND DATECODE.
- ⚠ NOT PLATED-THROUGH HOLES (3x).
- ⚠ 1,3 DIA. PLATED-THROUGH HOLES (15x) CAN BE OMITTED IF SPECIAL CONTACTS WITH CABLE CONNECTION OR FIBRE OPTIC CONTACTS ARE USED.



RECOMMENDED PCB-HOLE LAY-OUT
COMPONENT SIDE

		-		△		100752-1	
		FINISH		MATERIAL		PARTNUMBER	
		-		-		CUSTOMER DRAWING FOR REFERENCE ONLY WILL NOT BE UPDATED	
		-		-		© COPYRIGHT 1993 BY AMP HOLLAND B.V. ALL INTERNATIONAL RIGHTS RESERVED. AMP PRODUCTS MAY BE COVERED BY U.S. AND FOREIGN AND/OR PATENTS PENDING.	
		-		-		THIS DRAWING IS UNPUBLISHED RELEASED FOR PUBLICATION	
		-		-		AMP HOLLAND B.V. 's-Hertogenbosch, The Netherlands.	
B	EH-0720-95	E.D.	B.M.	29-06-95	NAME		
A	H-9585	B.M.	B.M.	01-10-93	Z-PACK 2mm HM		
LTR. REVISION RECORD				DR. CHK. DATE		TYPE N FEMALE CONNECTOR HOUSING	
DR.:	S.MEIJSEN	CHK.:	B.MOOIJ	APP.:	L.V.SOEST	DWG.No.	C-100752
DATE:	17 MAR 92	DATE:	10 APR 1992	DATE:	13 APR 1992	REV.LTR.	B
						SHEET	1 of 1
							A2

单击下面可查看定价，库存，交付和生命周期等信息

[>>TE Connectivity\(泰科\)](#)