

| LOC | DIST | REVISIONS             |           |     |      |
|-----|------|-----------------------|-----------|-----|------|
| P   | LTB  | DESCRIPTION           | DATE      | DWN | APVD |
| A   |      | NEW RELEASE           | 28MAR2007 | RG  | PD   |
| B   |      | REV PER ECO-11-020831 | 15SEP2011 | RG  | MS   |

- PART NUMBER CHANGES AND OR DESIGN CHANGES AFFECTING ITEM INTERCHANGEABILITY REQUIRE PRIOR TYCO APPROVAL AND AUTHORIZATION BY REVISION TO THIS DRAWING.
- MATERIAL:
  - INSULATORS - THERMOPLASTIC, GLASS REINFORCED, COLOR: BLACK UL94V-0 FLAMMABILITY RATED.
  - POWER CONTACTS - PHOSPHOR BRONZE ALLOY, COPPER ALLOY
  - SIGNAL PINS-BRASS ALLOY
  - CROWN BAND-BERYLLIUM COPPER ALLOY
- FINISH:
  - CONTACTS - GOLD PLATE 0.76µm MIN. THK., OVER NICKEL 1.27µm MIN. THK
  - SOLDER TAILS- TIN 3.05µm MIN. THK. OVER NICKEL 1.27µm MIN THK.

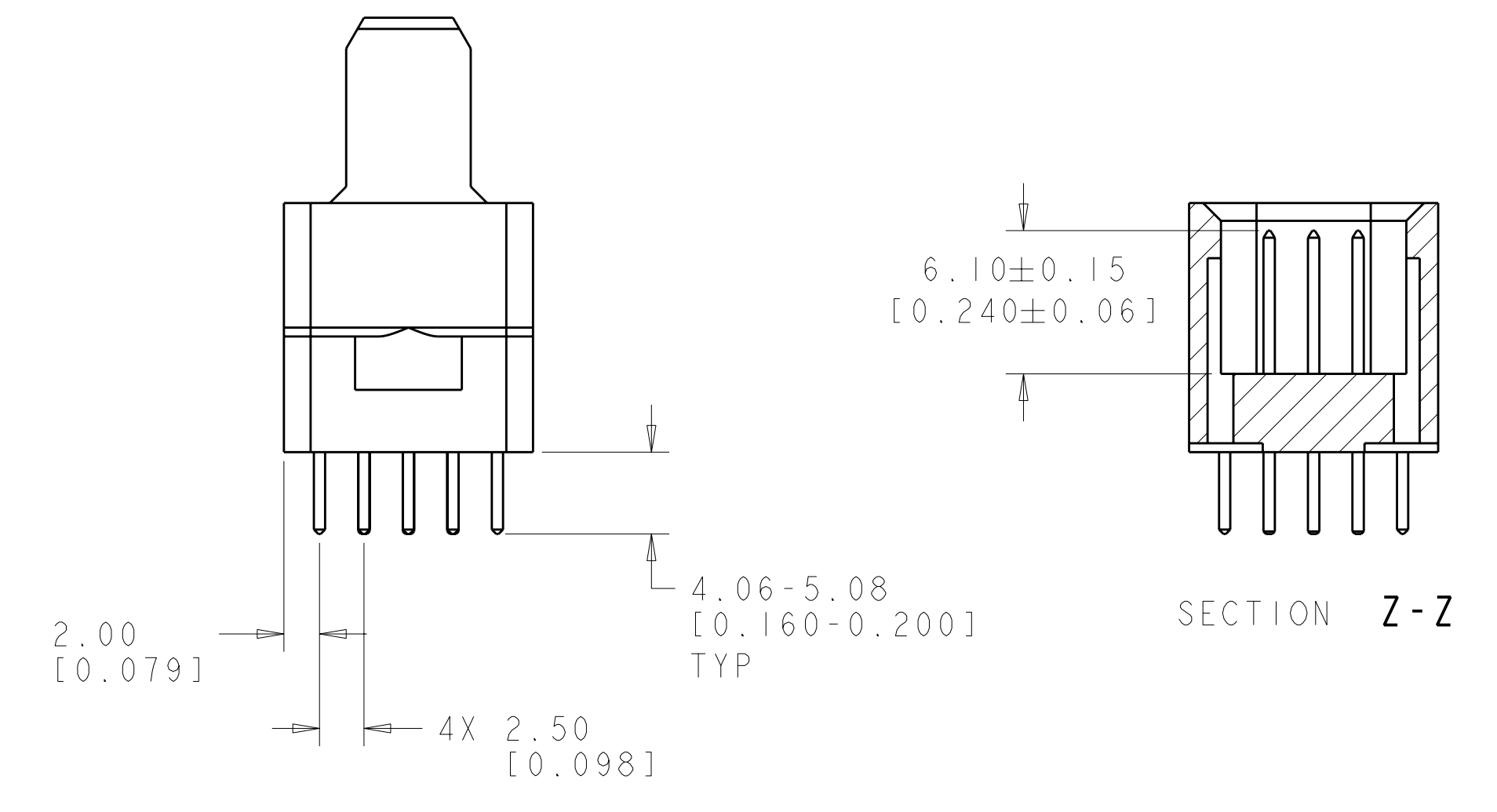
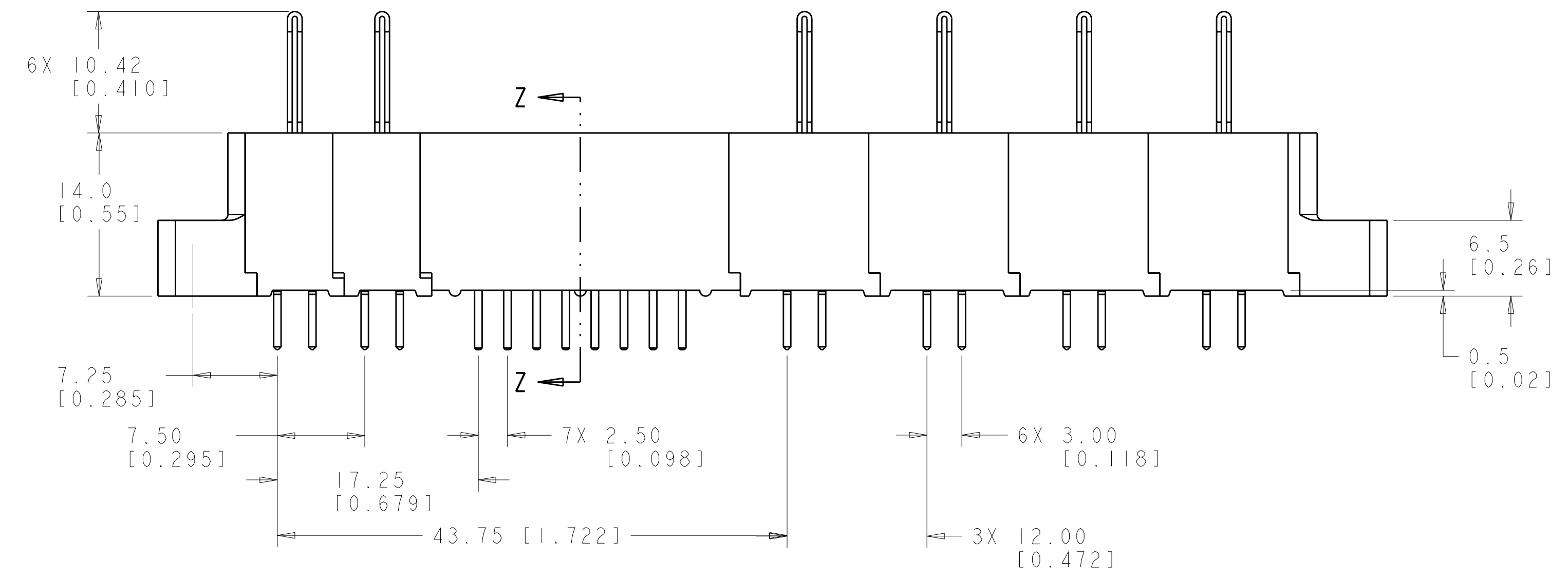
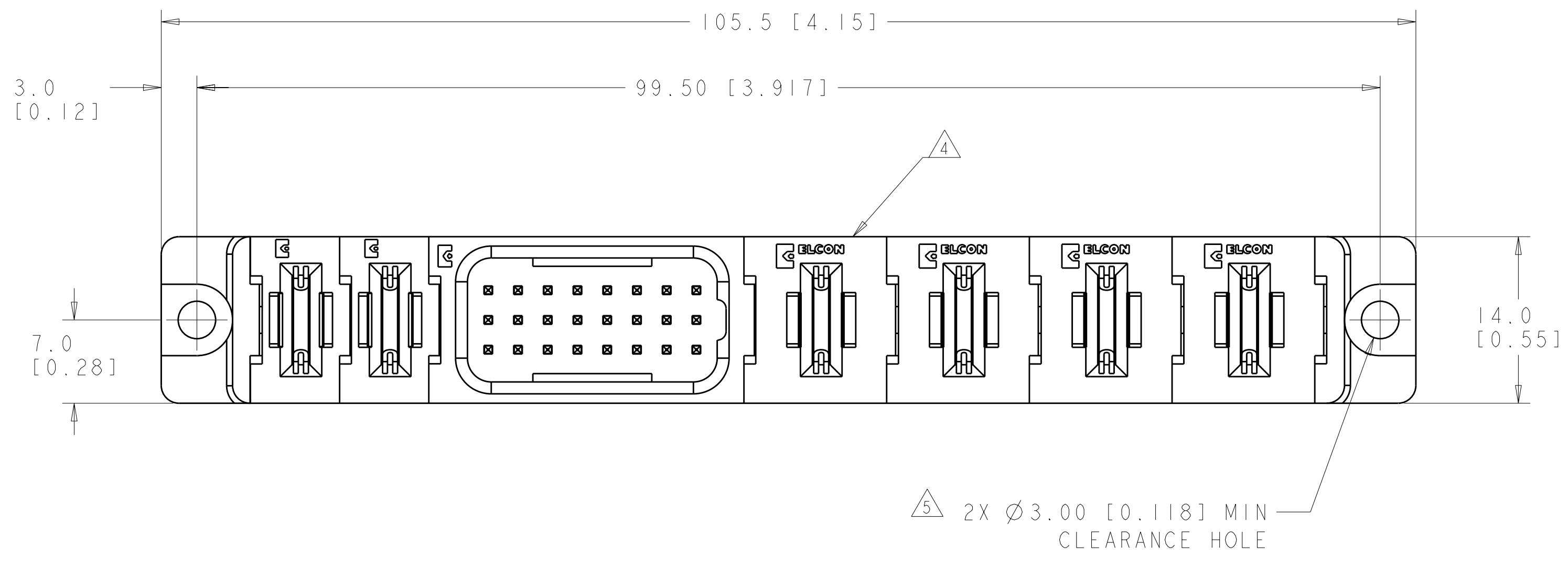
△ ITEMS PROVIDED TO THIS SPECIFICATION TO BE PERMANENTLY IDENTIFIED PER THE FOLLOWING IDENTIFIER LABEL

YEAR    WEEK   

TYCO PART NO.                      DATE CODE (e.g. 0106)

XXXXXXX-X                      XXXX

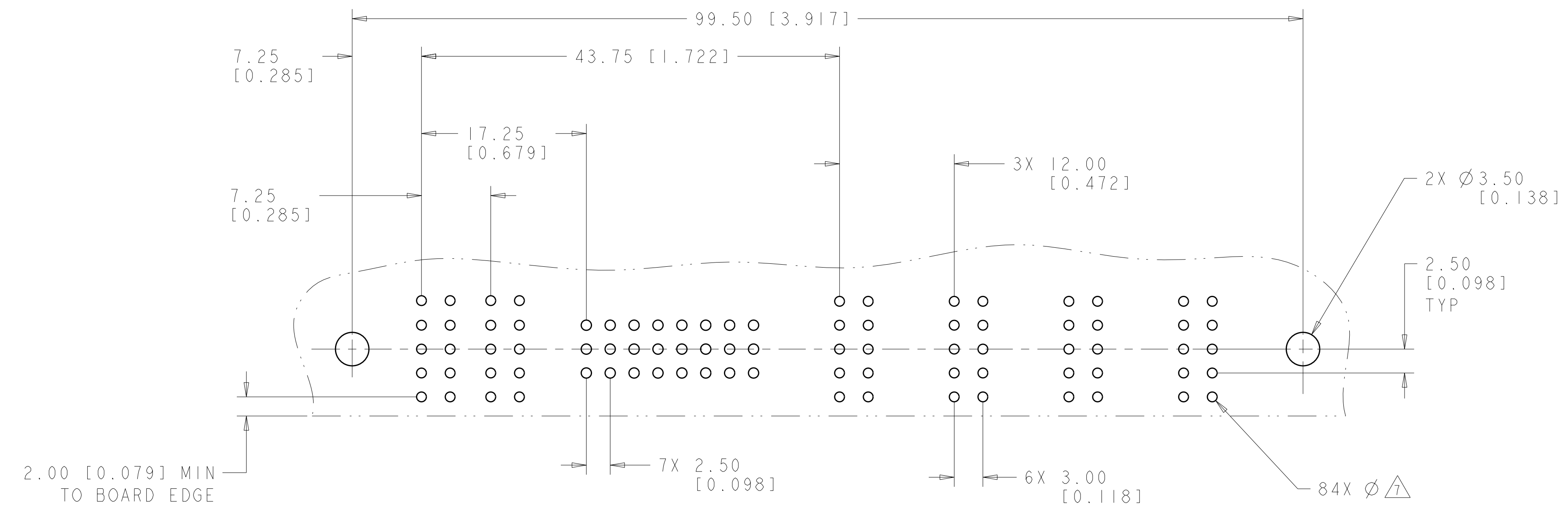
△ MOUNTING FLANGES ACCEPT M3 OR #4 SCREWS. (USER SUPPLIED)



ELCON FLATPAQ

|   |  |
|---|--|
| AS SHOWN  | 6646621-1                              |
| DESCRIPTION   | PART NUMBER                            |
| <b>tyco</b> Tyco Electronics<br>Harrisburg, PA 17105-3608 |  |
| DIMENSIONS: mm  | TOLERANCES UNLESS OTHERWISE SPECIFIED: |
| 9 PLC ±.5 [1.025]   | 9 PLC ±.5 [1.025]                      |
| 5 PLC ±.25 [1.010]  | 5 PLC ±.25 [1.010]                     |
| 4 PLC ±.25 [1.010]  | 4 PLC ±.25 [1.010]                     |
| ANGLES ±.5  | ANGLES ±.5                             |
| MATERIAL  | FINISH                                 |
| CUSTOMER DRAWING  | SCALE 3:1 SHEET 1 OF 3 REV B           |

| LOC | DIST | REV | DATE | BY | APPD |
|-----|------|-----|------|----|------|
| GP  | 00   | 1   |      |    |      |
|     |      | 2   |      |    |      |
|     |      | 3   |      |    |      |



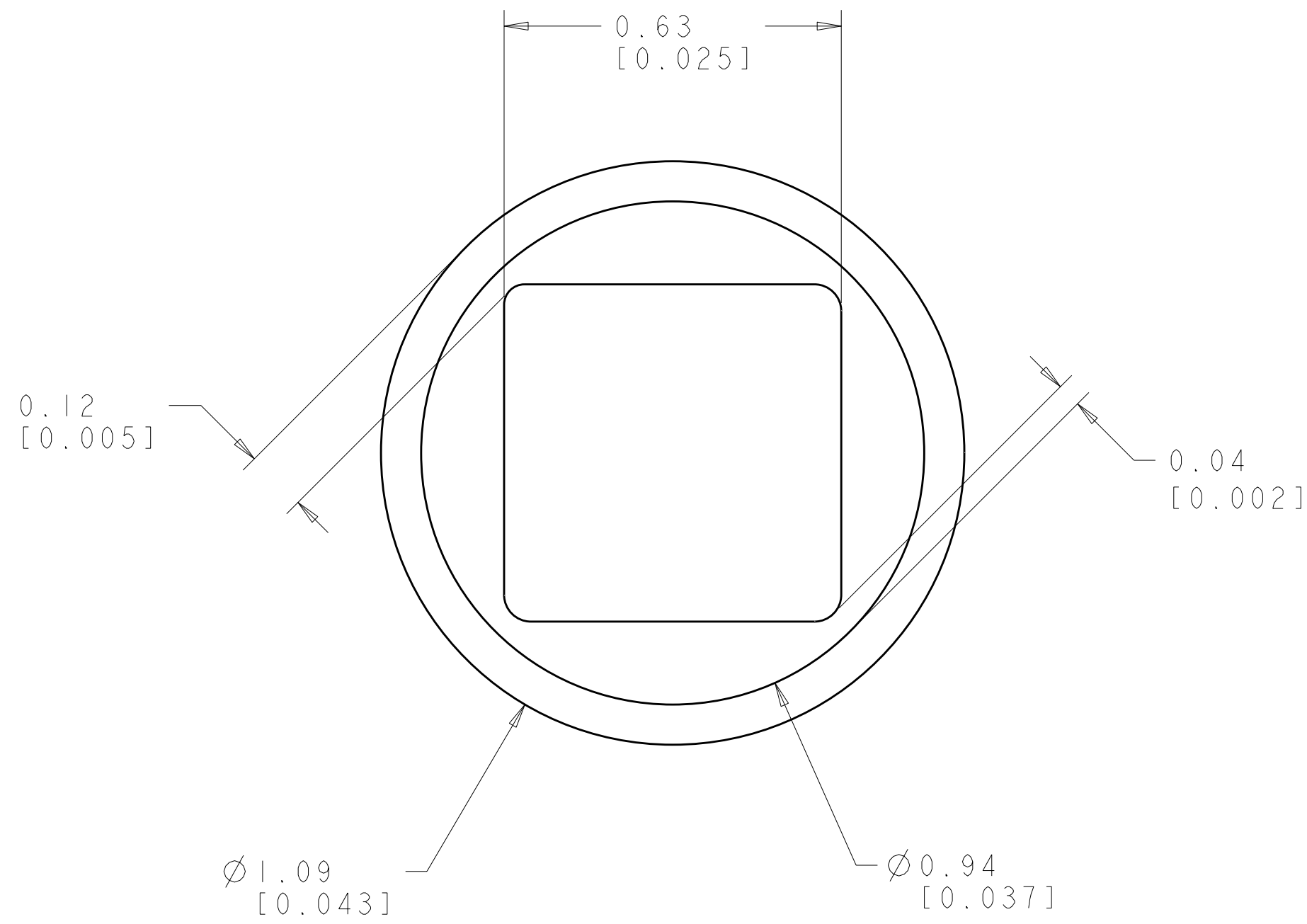
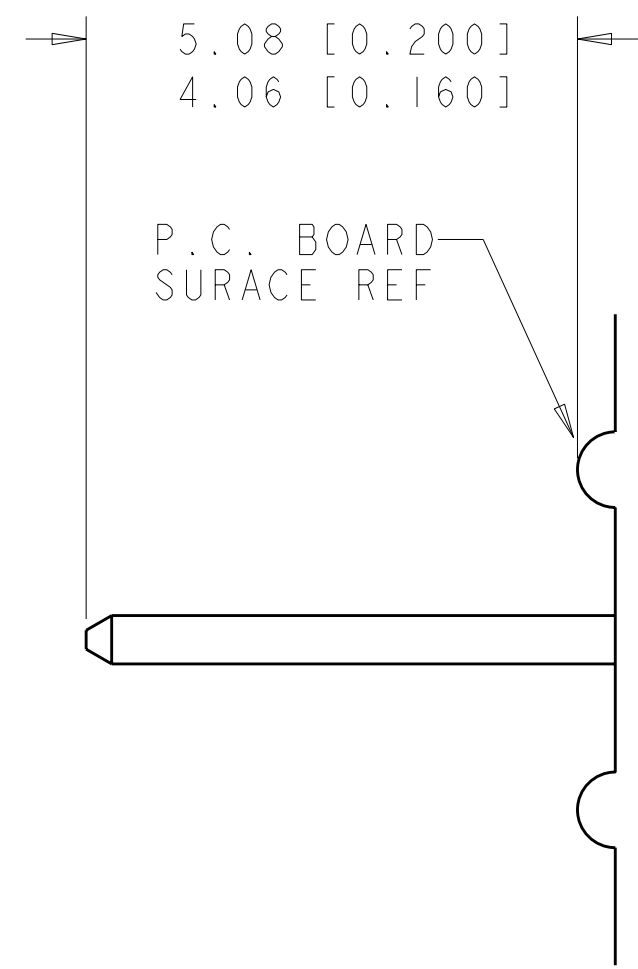
PRINTED CIRCUIT LAYOUT  
 COMPONENT SIDE

| CONNECTOR | CATALOG MODULE # | QTY | SIZE NO.               | CONTACT QTY | MATING PIN                   | MAX. CURRENT (PER CONTACT) | CONTACT SPACING | VOLTAGE RATING |
|-----------|------------------|-----|------------------------|-------------|------------------------------|----------------------------|-----------------|----------------|
| PIN       | FP101            | 2   | 8                      | 2           | 1.25 X 7.00<br>[.049 X .276] | 35 amps                    | 7.50 [0.295]    | 250 VOLTS      |
|           | FP117            | 4   | 8                      | 4           | 1.25 X 7.00<br>[.049 X .276] | 35 amps                    | 12.00 [.4724]   | 600 VOLTS      |
|           | FP300            | 1   | 22                     | 24          | .64 [.025] SQ.               | 3 amps                     | 2.50 [.0984]    | 125 VOLTS      |
|           | FP500            | 1   | MOUNTING FLANGE, LEFT  |             |                              |                            |                 |                |
|           | FP501            | 1   | MOUNTING FLANGE, RIGHT |             |                              |                            |                 |                |

ELCON FLATPAQ

|                          |  |   |  |  |  |   |  |
|--------------------------|--|---|--|--|--|---|--|
| DIMENSIONS: mm<br>       |  | TOLERANCES UNLESS OTHERWISE SPECIFIED:<br>0 PLC ±.5 [.025]<br>1 PLC ±.5 [.025]<br>2 PLC ±.25 [.010]<br>3 PLC ±.25 [.010]<br>4 PLC ±.25 [.010]<br>ANGLES ±.5 |  | DWN R. GRZYBOWSKI 21MAR2007<br>CHK P. DAMATO 21MAR2007<br>APVD S. FLICKINGER 21MAR2007                             |  | <b>tyco</b> Tyco Electronics<br>Harrisburg, PA 17105-3608 |  |
| MATERIAL: -<br>FINISH: - |  | WEIGHT: -<br>CUSTOMER DRAWING   |  | NAME: PIN CONNECTOR STRAIGHT, SOLDER TAILS FLATPAQ<br>SIZE: A   00779   C=6646621<br>SCALE: 3:1 SHEET 2 OF 3 REV B |  | RESTRICTED TO: -  |  |

| LOC | DIST | REVISIONS   |      |     |      |
|-----|------|-------------|------|-----|------|
| P   | LTB  | DESCRIPTION | DATE | DWN | APVD |
| GP  | 00   | SEE SHEET 1 | -    | -   | -    |
|     |      |             |      |     |      |
|     |      |             |      |     |      |



6. SOLDER PIN DETAIL  
SCALE 10 : 1

**7. SOLDER TERMINATION AREA**  
 SCALE 40:1  
 RECOMMENDED PRINTED CIRCUIT SOLDER HOLE  
 FINISHED HOLE: Ø1.02 [0.040] ±.08 [0.003]  
 DRILLED HOLE: Ø1.15 [0.0453] ±.013 [0.0005]  
 COPPER PLATE: .025 [0.0010] MIN  
 TIN PLATE: .008 [0.0003] MIN. (PER SURFACE)

|   |  |  |  |
|---|--|--|--|
| <small>THIS DRAWING IS UNPUBLISHED. RELEASED FOR PUBLICATION 20<br/>                 © COPYRIGHT 20 BY TYCO ELECTRONICS CORPORATION, ALL RIGHTS RESERVED.</small> |  | DWN R. GRZYBOWSKI 21MAR2007<br>CHK P. DAMATO 21MAR2007<br>APVD S. FLICKINGER 21MAR2007 | <b>tyco</b><br>Electronics<br>Tyco Electronics<br>Harrisburg, PA 17105-3608  |
| DIMENSIONS:<br>mm<br>   | TOLERANCES UNLESS OTHERWISE SPECIFIED:<br>9 PLC ±.5 [0.025]<br>8 PLC ±.25 [0.010]<br>5 PLC ±.1 [0.005]<br>4 PLC ±.05 [0.002]<br>ANGLES ±.5 | NAME<br>PRODUCT SPEC<br>APPLICATION SPEC<br>WEIGHT<br>CUSTOMER DRAWING                 | PIN CONNECTOR<br>STRAIGHT, SOLDER TAILS<br>FLATPAQ<br>SIZE CAGE CODE DRAWING NO<br>A100779C-6646621<br>RESTRICTED TO |
| MATERIAL  | FINISH   | SCALE 3:1  | SHEET 3 OF 3 REV B   |

单击下面可查看定价，库存，交付和生命周期等信息

[>>TE Connectivity\(泰科\)](#)