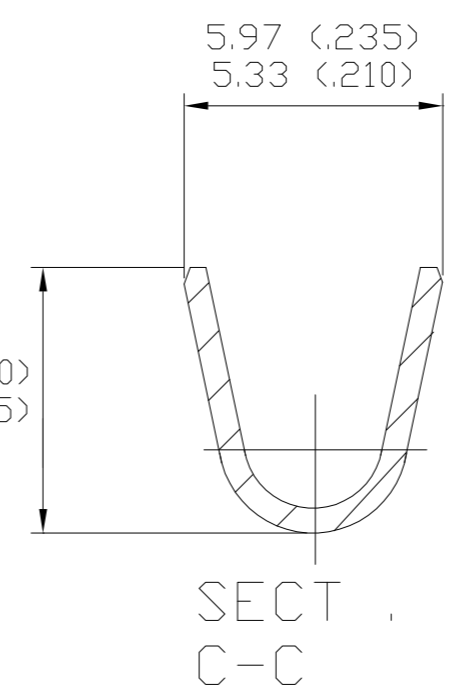
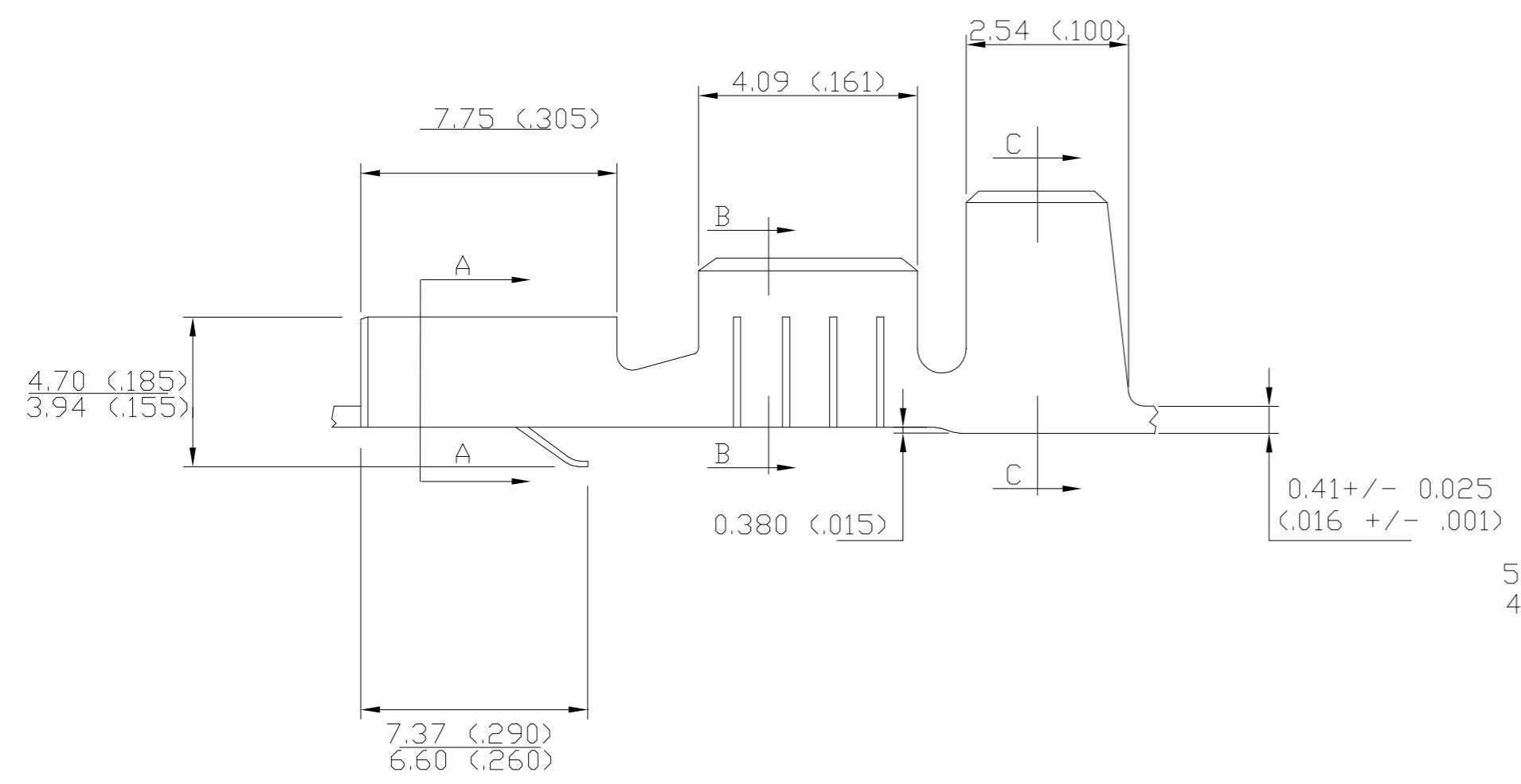
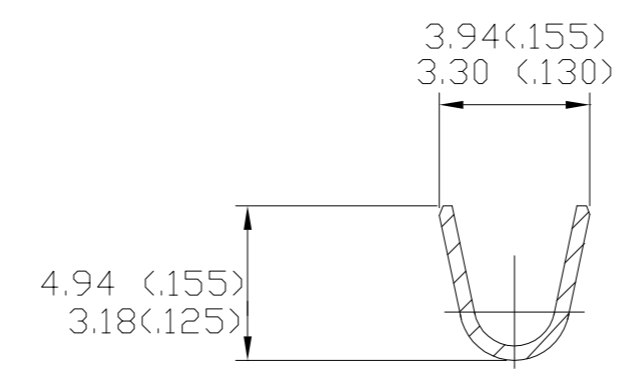
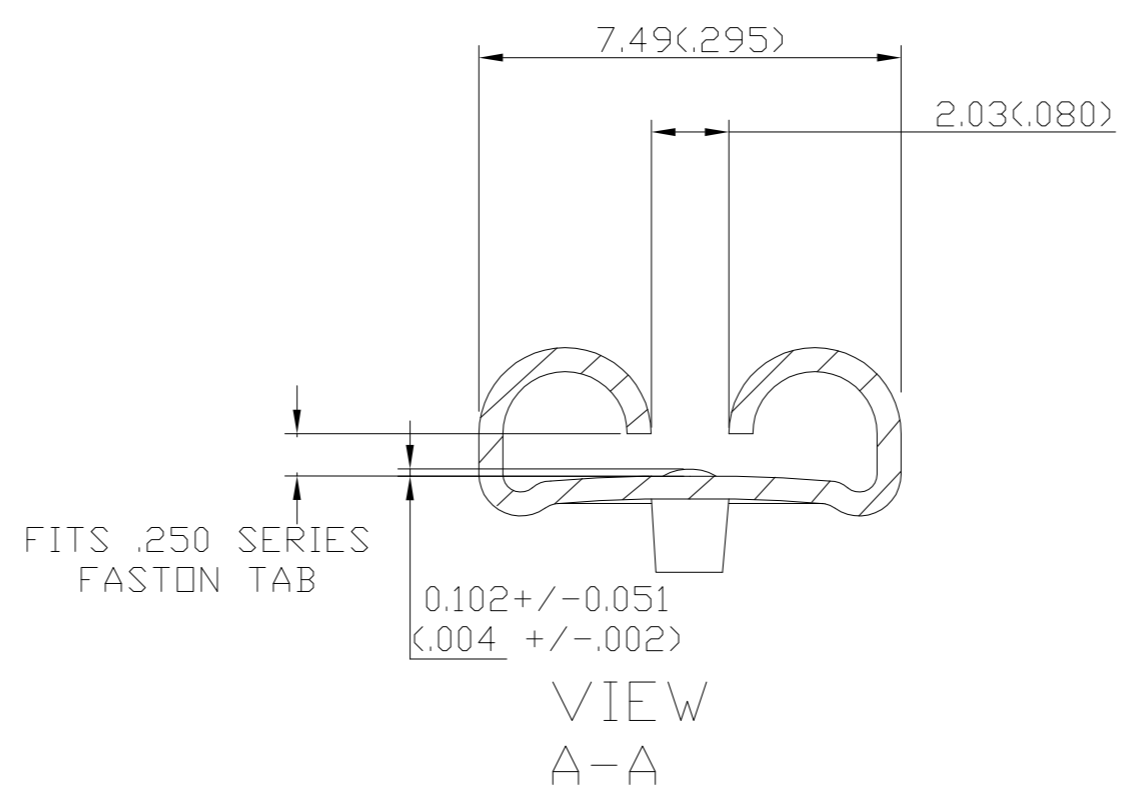
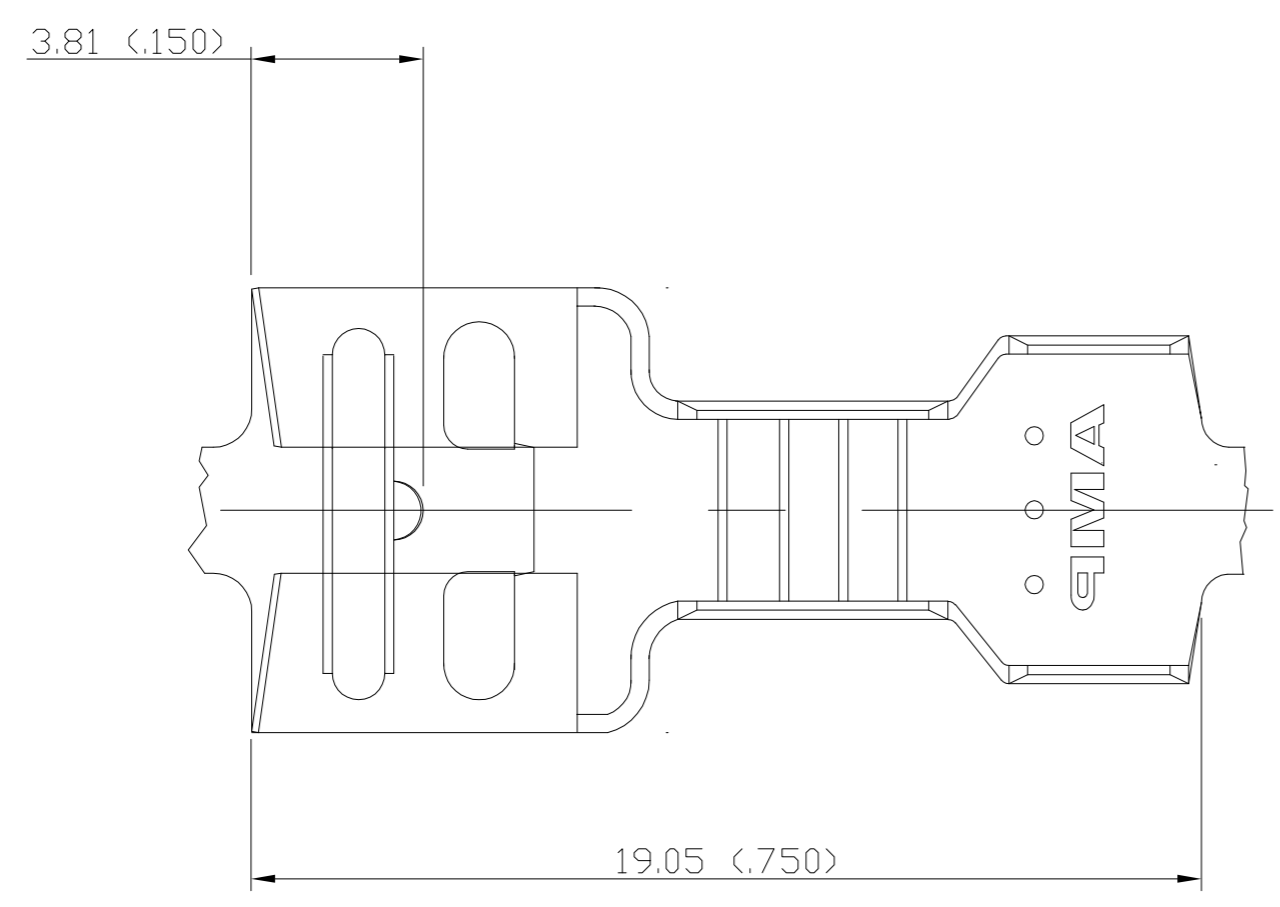


THIS DRAWING IS UNPUBLISHED. RELEASED FOR PUBLICATION  
 © COPYRIGHT BY TYCO ELECTRONICS CORPORATION. ALL RIGHTS RESERVED.

LOC	DIST	REVISIONS					
		P	LTR	DESCRIPTION	DATE	DWN	APVD
AF	50	B		REV PER 0G3A-0447-02	29JUL02	JR	ND
		B1		REVISED PER ECO-09-021826	21AUG09	KK	AEG

- 1 CONTINUOUS STRIP ON REELS.
- 2 MATING TAB THK IS  $0.81 \pm 0.025$  [ $0.032 \pm 0.001$ ].
- 3 DIM'S IN BRACKETS ARE IN INCHES
- 4 OBSOLETE PARTS: OBSOLETE CIS STREAMLINING PER D.RENAUD/D.SINISI



4 OBSOLETE	2.54-4.32 [.100-.170]	0.8-2.0mm [18-14]	TIN	157480-2
	2.54-4.32 [.100-.170]	0.8-2.0mm [18-14]	NONE	157480-1
	INSULATION RANGE	WIRE SIZE	FINISH	PART NO.

THIS DRAWING IS A CONTROLLED DOCUMENT.		DWN	I.SOLIS	29JUL2002	Tyco Electronics Corporation Harrisburg, PA 17105
DIMENSIONS: INCHES		CHK	P. COON	29JUL02	
TOLERANCES UNLESS OTHERWISE SPECIFIED:		APVD	I. SOLIS	29JUL02	
0 PLC ± - 1 PLC ± - 2 PLC ± .020 3 PLC ± .010 4 PLC ± - ANGLES ± -		NAME		RECEPTACLE, FASTON-FASTON, .250 SERIES	
MATERIAL	BRASS	FINISH	SEE TABLE	WEIGHT	-
CUSTOMER DRAWING		SCALE	NTS	SHEET	1 OF 1
		REV	B1		

单击下面可查看定价，库存，交付和生命周期等信息

[>>TE Connectivity\(泰科\)](#)