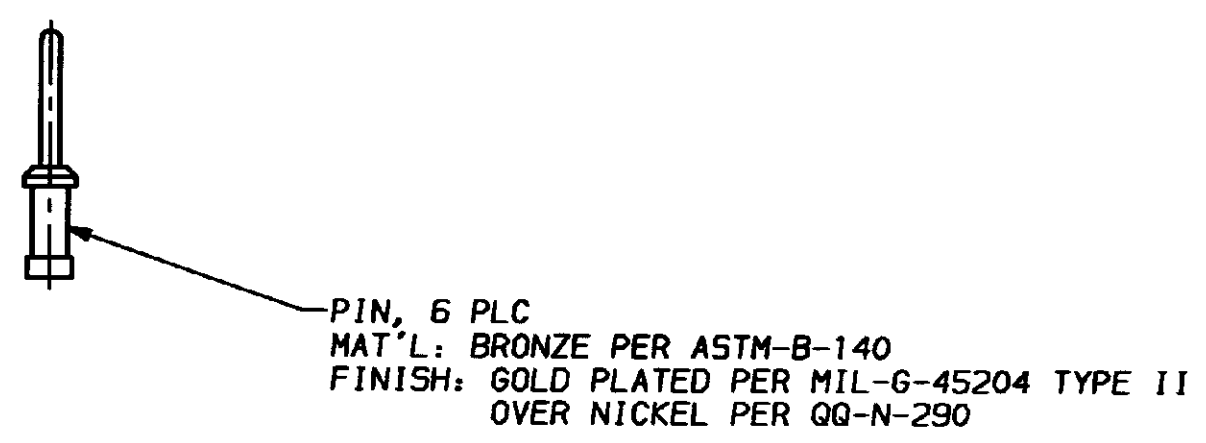
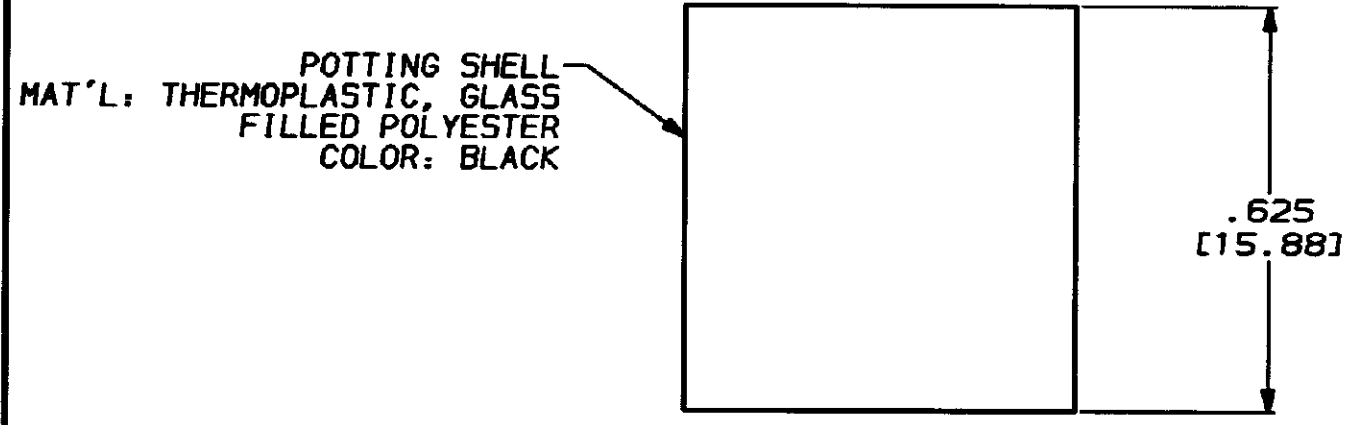
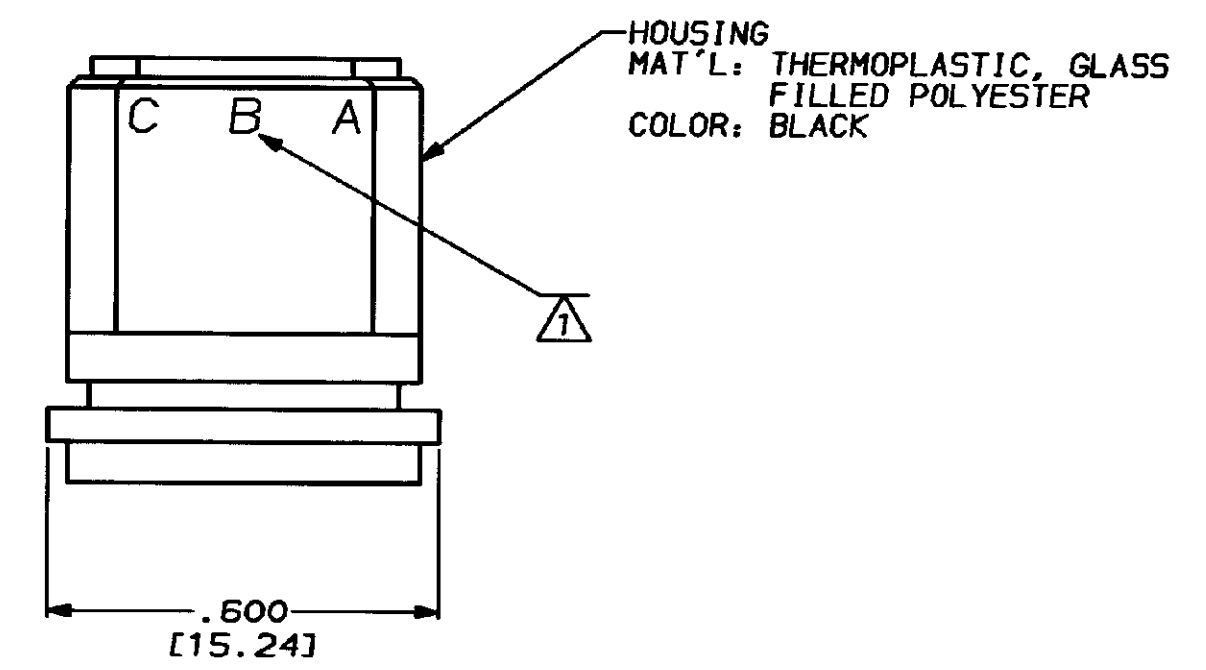
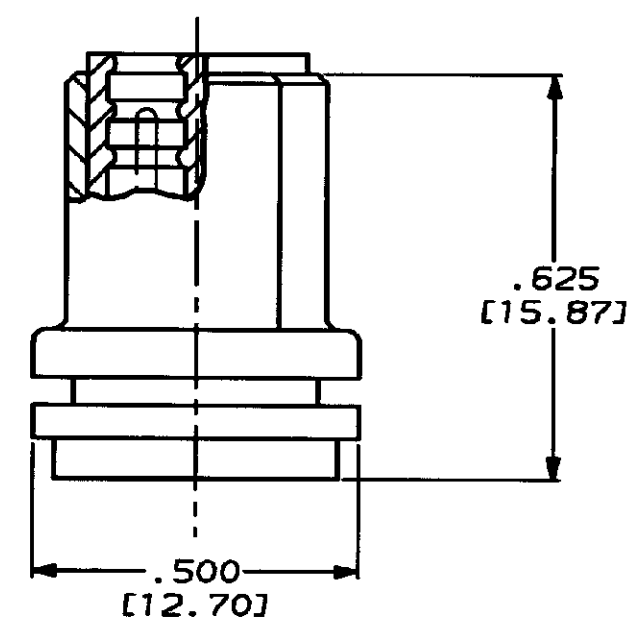
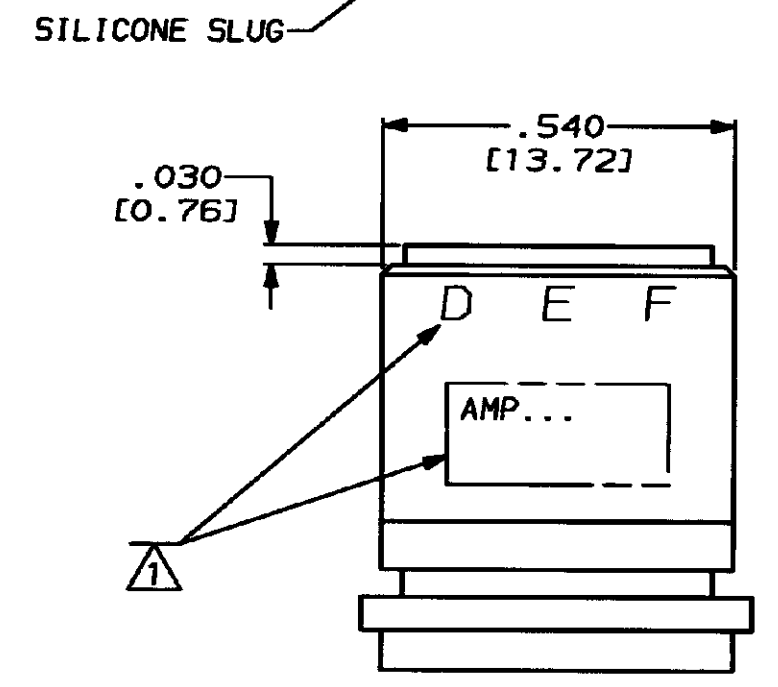
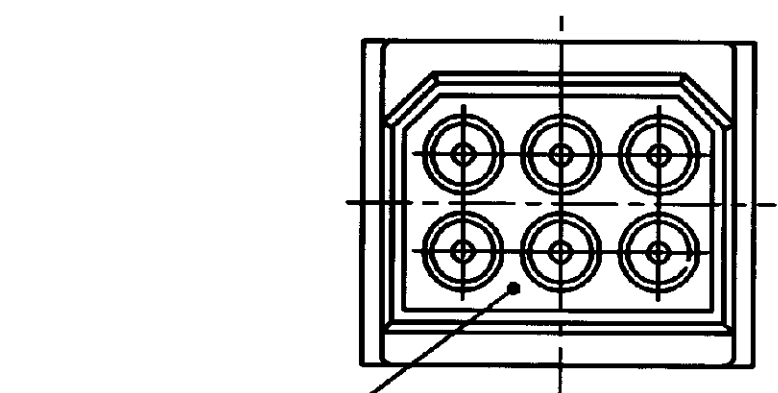


4 3 2 1
 DRAWING MADE IN THIRD ANGLE PROJECTION
 THIS DRAWING IS UNPUBLISHED. RELEASED FOR PUBLICATION .19
 © COPYRIGHT 19 BY AMP INCORPORATED. ALL INTERNATIONAL RIGHTS RESERVED.

REVISIONS										
PROJ	LOC	DIST	P	F	ZONE	LTR	DESCRIPTION	DATE	APPD	
4081	DF	50				A	REV & REDRAWN; DF-6981	CT	10-93	DE



- 1 MARKED PER MIL-STD-130.
- 2. SEE AMP DWG. 863349-1 FOR ASSEMBLY INSTRUCTIONS.

867482-1
 PART NO.

DO NOT SCALE PRINT. UNLESS SPECIFIED DIMENSIONS IN INCHES [mm] TOLERANCES ON: 2 PLC DEC ± - 3 PLC DEC ± .005 [0.13] ANGLES ± -	DR 6-30-93 C.C. THOMAS	AMP AMP Incorporated Harrisburg, PA 17105-3608		
	CHK 10-13-93 D.EABY			
	APPD 10-13-93 D.EABY	6 PIN SUBMINIATURE PLUG KIT, LGH		
	RLSE 10-13-93 C.C. THOMAS	PRODUCT SPEC	SIZE	CAGE CODE
FINISH	APPLICATION SPEC	③	00779	③-867482
SEE CALLOUTS	WEIGHT	SCALE	4:1	SHEET
SEE CALLOUTS				1 OF 1

THIS DRAWING IS A CONTROLLED DOCUMENT FOR AMP INCORPORATED. IT IS SUBJECT TO CHANGE AND THE CONTROLLING ENGINEERING ORGANIZATION SHOULD BE CONTACTED FOR THE LATEST REVISION.

CUSTOMER DRAWING

单击下面可查看定价，库存，交付和生命周期等信息

[>>TE Connectivity\(泰科\)](#)