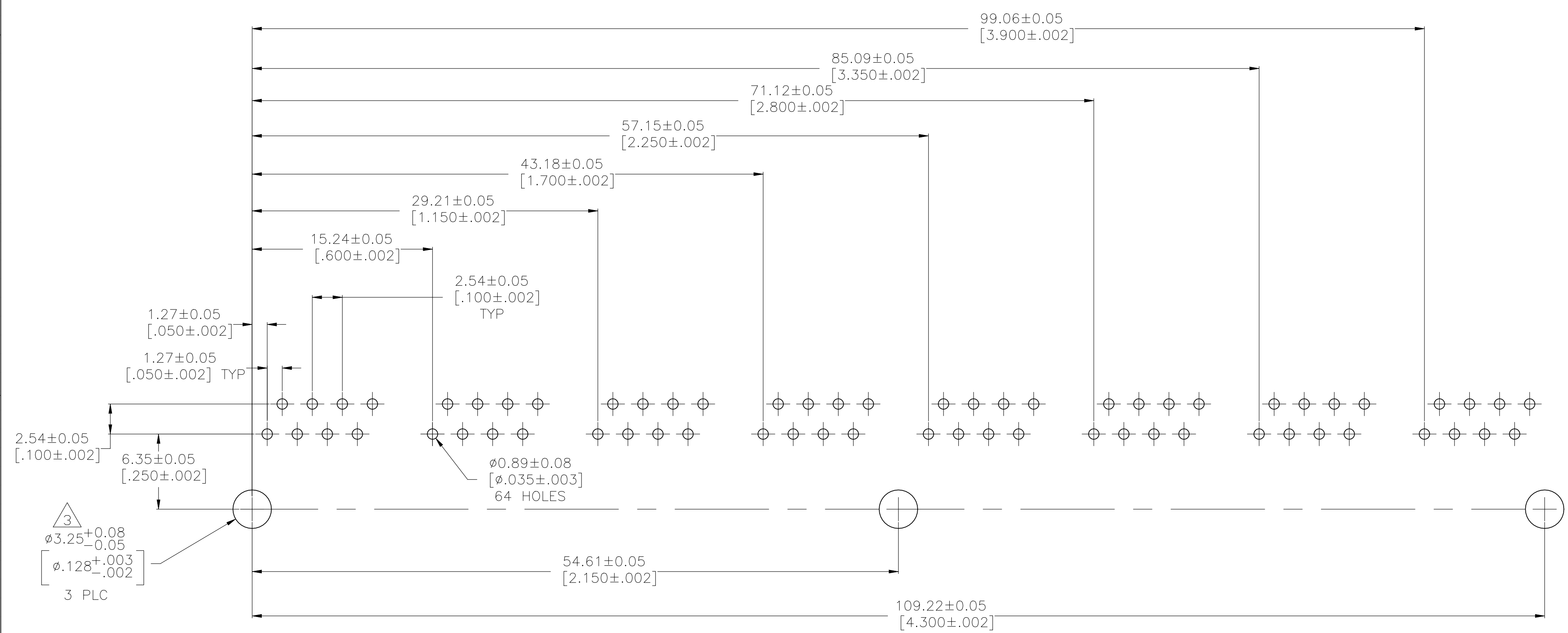
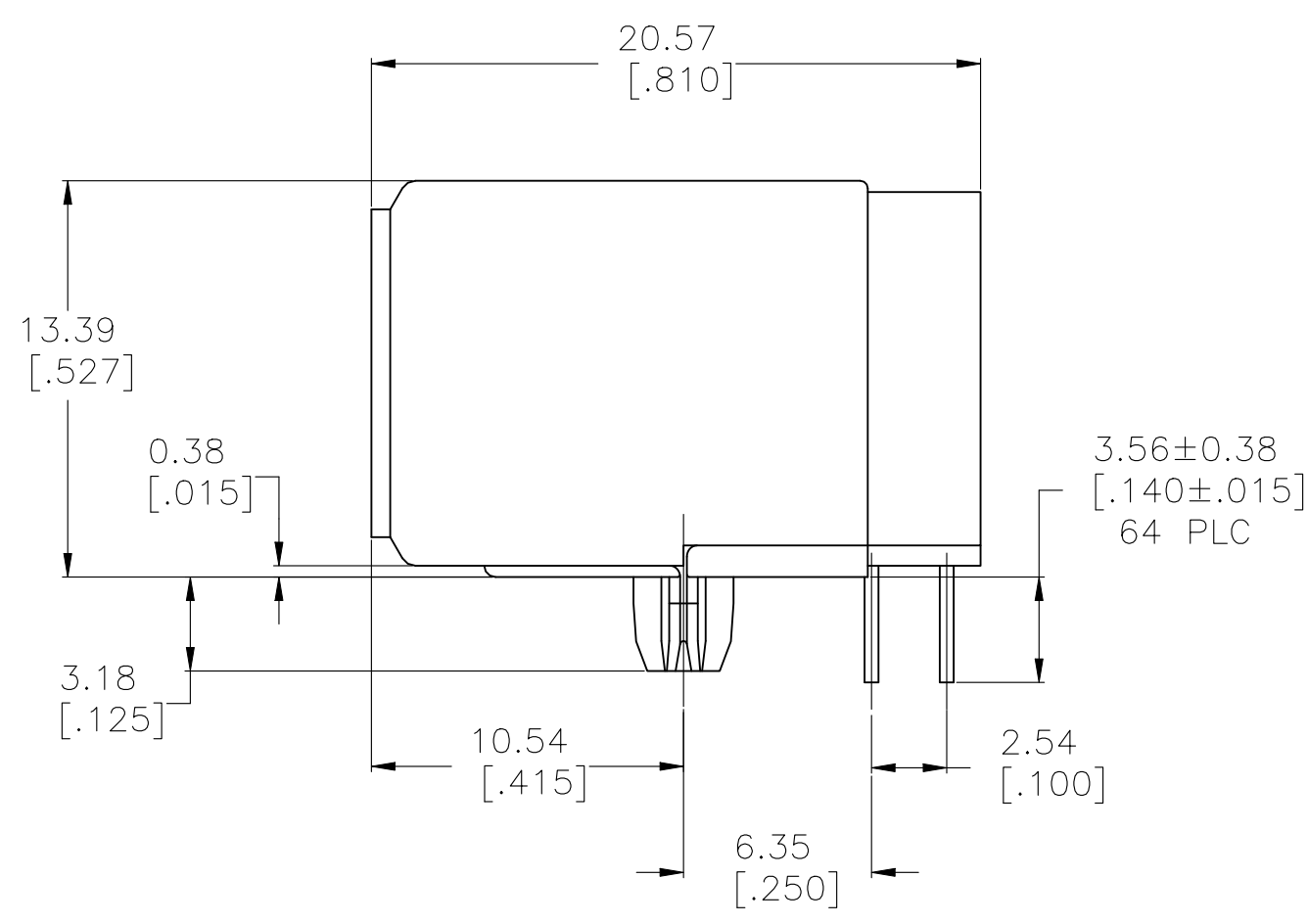
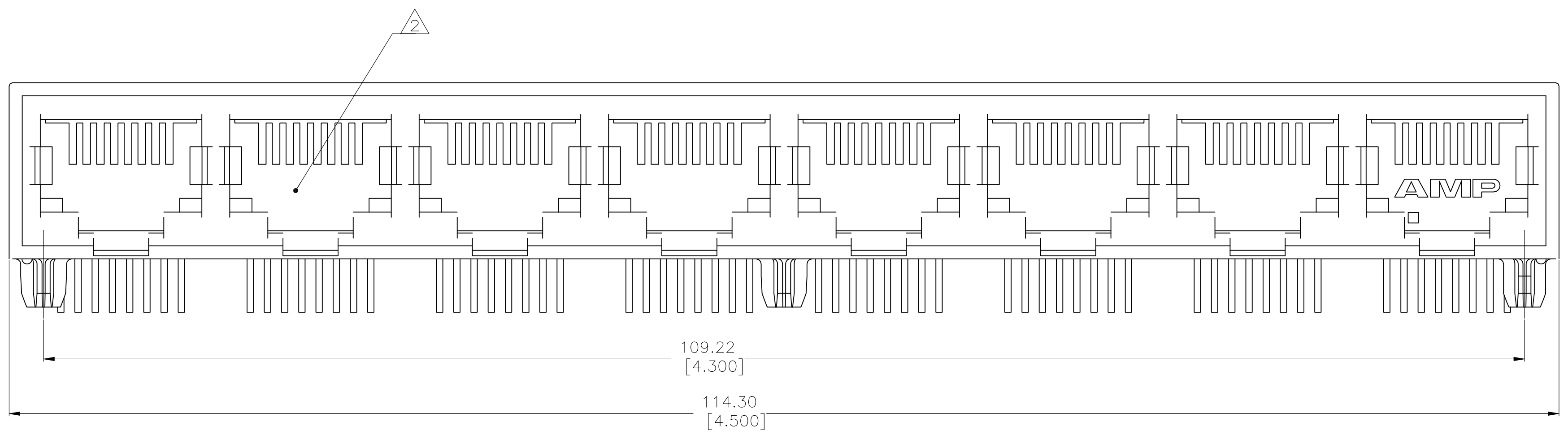
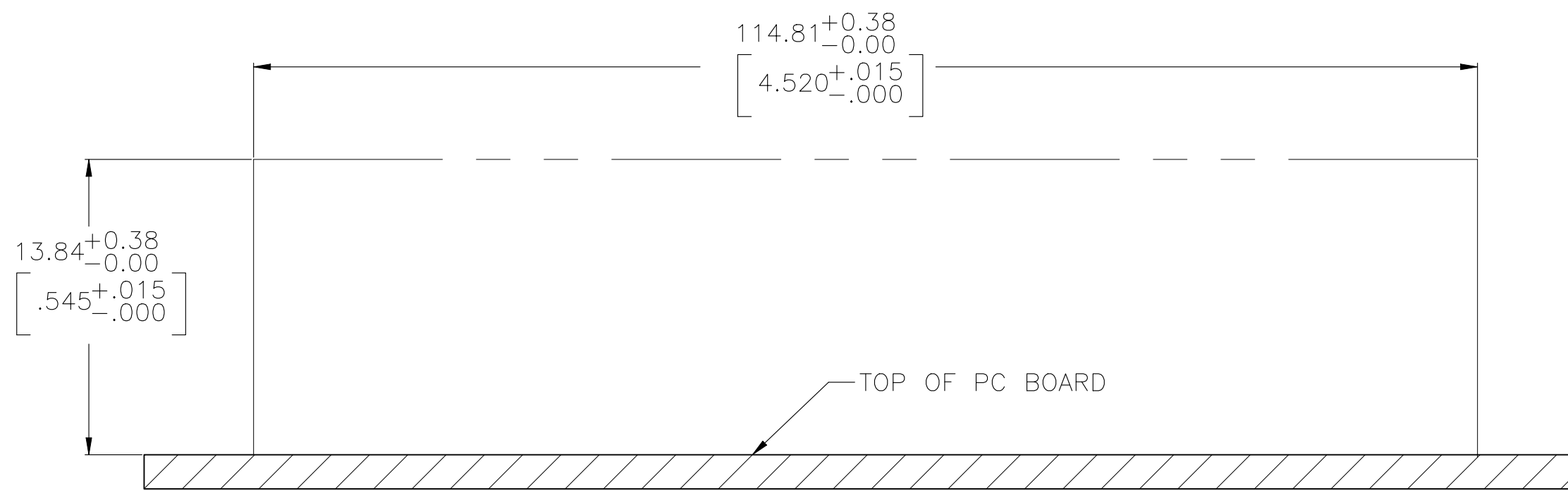


REVISIONS					
P	LTR	DESCRIPTION	DATE	DRN	APVD
B1	ECR-19-014657		13DEC2020	RR	SZ



- MATERIAL: HOUSING – NYLON, COLOR: BLACK, UL 94V-0. OVERMOLDED TERMINAL ARRAY – PBT, BROWN. TERMINALS – 0.33[.013] THICK PHOS BRONZE PLATED WITH 1.27µm[.000050] MINIMUM HARD GOLD IN LOCALIZED AREA AND 3.81µm[.000150] MINIMUM TIN-LEAD IN SOLDER AREA OVER 1.27µm[.000050] MINIMUM NICKEL UNDERPLATE. SHIELD – 0.254[.010] THICK COPPER ALLOY PLATED WITH 2.03µm[.000080] MINIMUM THICK BRIGHT TIN OVER 1.27µm[.000050] MINIMUM NICKEL.
- △a JACK CAVITY CONFORMS TO FCC RULES AND REGULATIONS, PART 68 SUBPART F.
- △3 USE #30 DRILL BIT OR 3.25mm DRILL BIT WHEN PRODUCING THESE PCB HOLES.

RECOMMENDED PC BOARD LAYOUT
COMPONENT SIDE
(SEE APPLICATION SPECIFICATION)



RECOMMENDED PANEL CUTOUT

THIS DRAWING IS A CONTROLLED DOCUMENT.		DIN L VARELA - DOCKS 10JUN2005	 TE Connectivity
		CHK J. WESTMAN 10JUN2005	
DIMENSIONS: mm [INCHES]	TOLERANCES UNLESS OTHERWISE SPECIFIED:	APVD S. FLICKINGER 10JUN2005	NAME
	0 PLC ± -	PRODUCT SPEC	MODULAR JACK ASSEMBLY, 8 POSITION, RIGHT ANGLE, LOW PROFILE, 8 PORT, CATEGORY 5e
	1 PLC ± -	APPLICATION SPEC	108-1163-2
	2 PLC ± 0.25(.01)	SIZE	114-2048
	3 PLC ± 0.13(.005)	WEIGHT	0.000000
	4 PLC ± -	RESTRICTED TO	
	ANGLES ± -	CUSTOMER DRAWING	
MATERIAL SEE NOTE 1	FINISH SEE NOTE 1	DRAWING NO A1 00779	SCALE 4:1
		REV 1	SHEET 1 of 1

单击下面可查看定价，库存，交付和生命周期等信息

[>>TE Connectivity\(泰科\)](#)