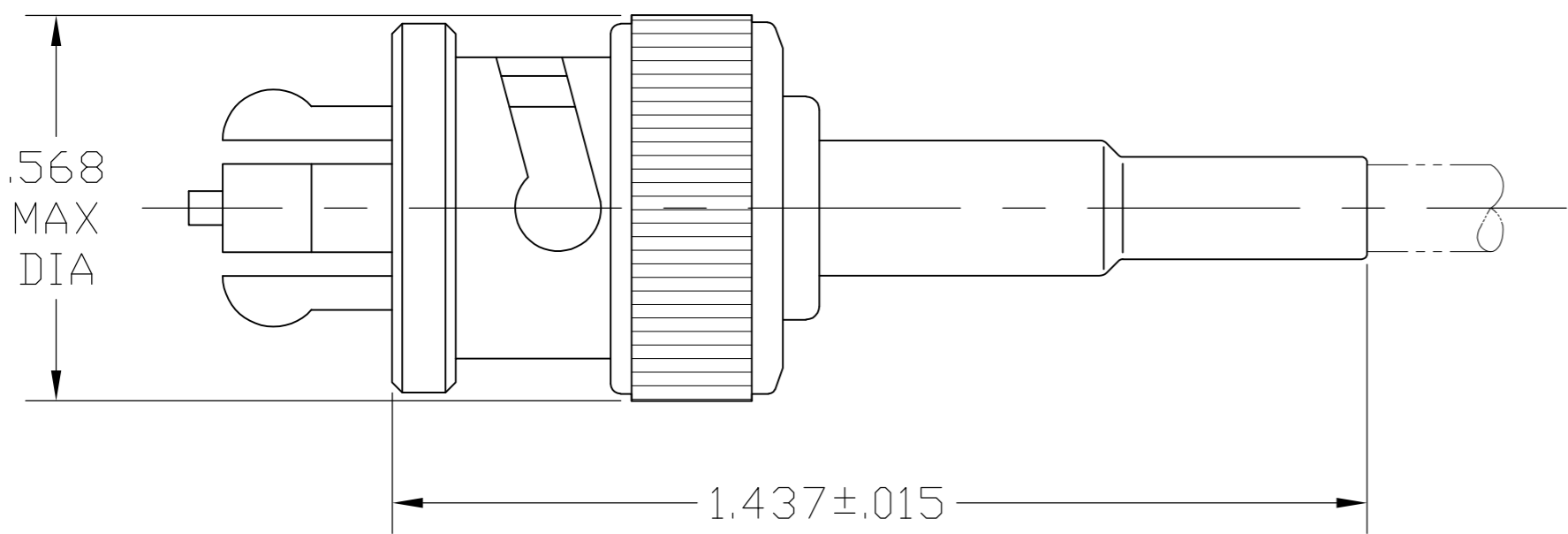
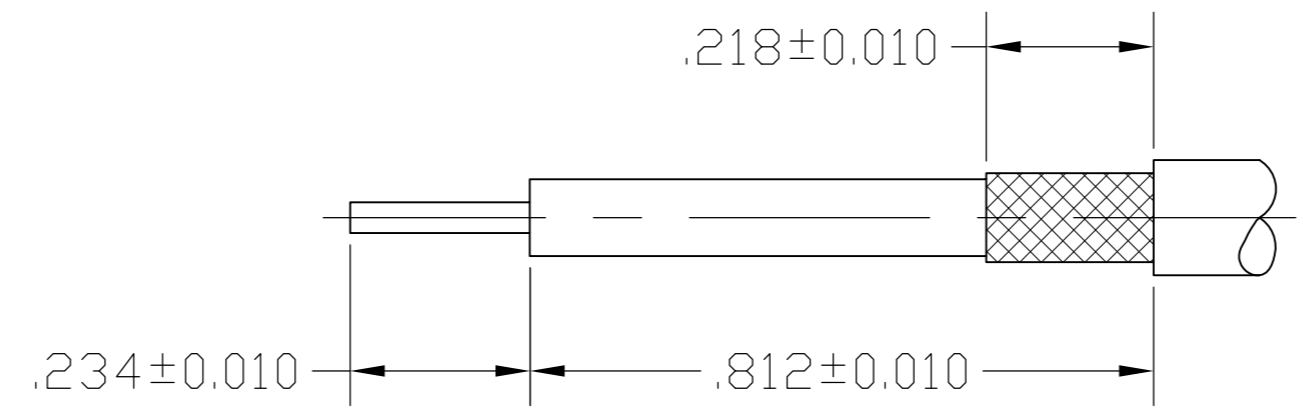


THIS DRAWING IS UNPUBLISHED. RELEASED FOR PUBLICATION
 © COPYRIGHT - By - ALL RIGHTS RESERVED.

LOC	DIST	REVISIONS			
P	LTR	DESCRIPTION	DATE	DWN	APVD
AJ	16				
P2		REVISED PER ECO-11-005030	11MAR11	RK	HMR



- 1. SEE INSTRUCTION SHEET 408-2187
- 2. OBSOLETE PARTS: OBSOLETE CIS STREAMLINING PER D.RENAUD/D.SINISI



RECOMMENDED STRIP LENGTH

	RG-58A/U & RG-58C/U	-	220022-1	-	9-50427-1	51427-3	51437-3	9-51426-1
2	OBSOLETE RG-59/U, 59A/U, 59B/U, 62/U, 62A/U & 62B/U	-	220022-2	-	50428-1	51475-3	51437-2	9-51426-0
	OBSOLETE SPECIAL CUSTOMER CABLE	-	-	-	2-329461-7	225418-3	51437-6	1-51426-2
	OBSOLETE RG-59/U, 59A/U & 59B/U	-	-	-	50428-2	51475-3	51437-4	1-51426-1
	RG-174/U & RG-188/U	-	220009-1	21427-5	9-328666-0	225418-3	51437-6	51426-8
OBSOLETE	RG-174/U & RG-188/U	.506	220009-1	21427-5	2-328666-3	225418-3	51437-5	51426-7
OBSOLETE	RG-58A/U & RG-58C/U	-	220022-2	-	1-328460-1	51475-3	51437-4	51426-6
	RG-59/U, 59A/U, 59B/U, 62/U, 62A/U & 62B/U	.496	220022-2	-	9-50428-0	51475-3	51437-4	51426-5
	RG-58A/U & RG-58C/U	.512	220022-1	-	9-50427-1	51427-3	51437-3	51426-4
OBSOLETE	RG-71/U	-	220022-2	-	329460	51475-3	51437-2	51426-3
	RG-59/U, 59A/U, 59B/U, 62/U, 62A/U & 62B/U	-	220022-2	-	50428-1	51475-3	51437-2	51426-2
	RG-58A/U & RG-58C/U	.458	220022-1	-	50427-1	51427-3	51437-1	51426-1
	CABLE SIZE	WEIGHT (OZ)	CRIMP TOOL	4 BUSHING QTY=1	3 FERRULE QTY=1	2 CONTACT QTY=1	1 PLUG ASSY QTY=1	PART NUMBER

THIS DRAWING IS A CONTROLLED DOCUMENT.

DWN R. SAMICK 25SEP03		TE Connectivity		
CHK G. MICHAEL 25SEP03		CONNECTOR, COAXIAL, PLUG, SERIES SHV		
APVD G. MICHAEL 25SEP03		SIZE	CAGE CODE	DRAWING NO
PRODUCT SPEC		A2	00779	C=51426
APPLICATION SPEC	WEIGHT	SCALE	SHEET	
MATERIAL	FINISH	4:1	1 of 1	
		CUSTOMER DRAWING	REV P2	

单击下面可查看定价，库存，交付和生命周期等信息

[>>TE Connectivity\(泰科\)](#)