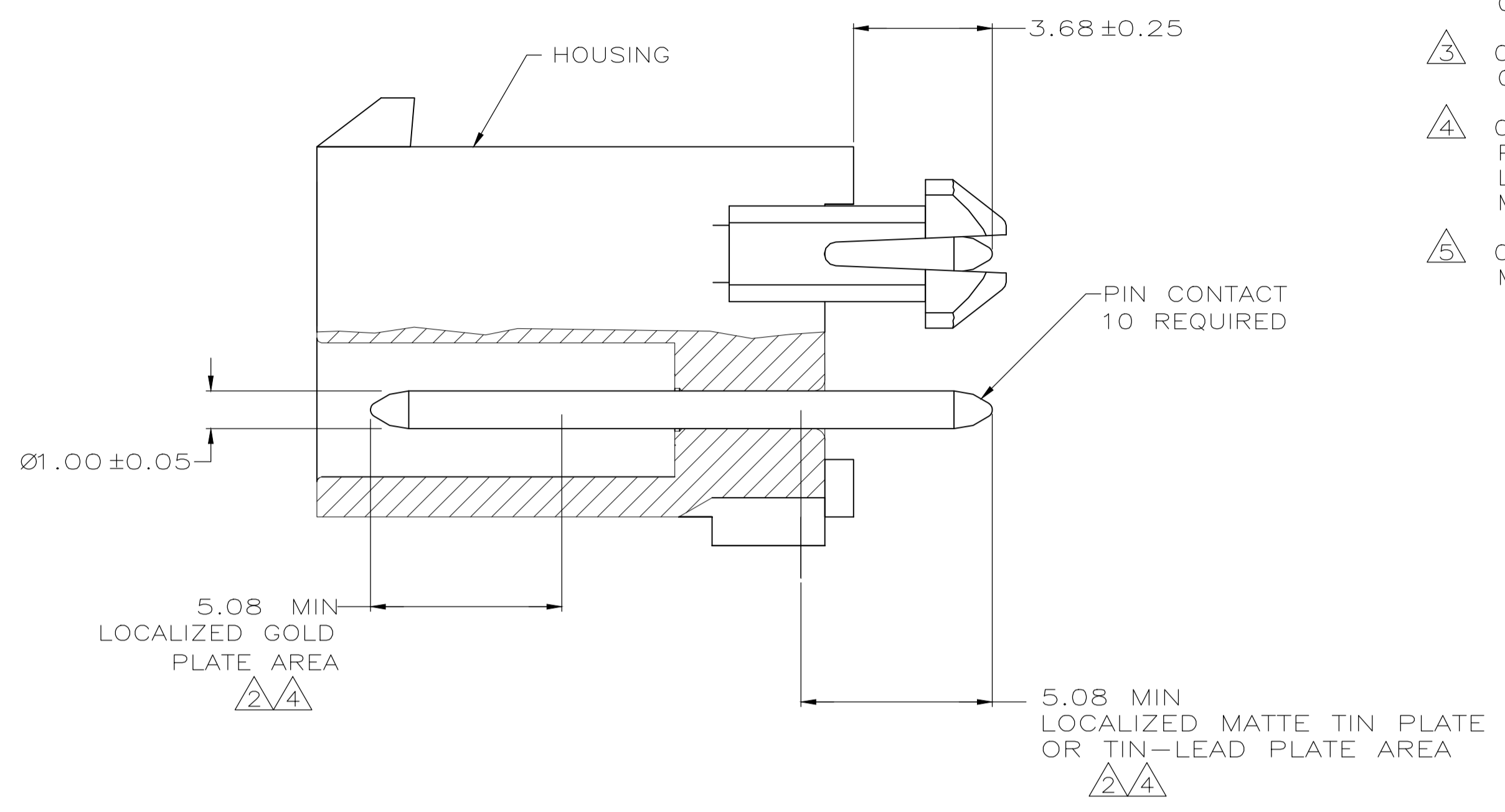
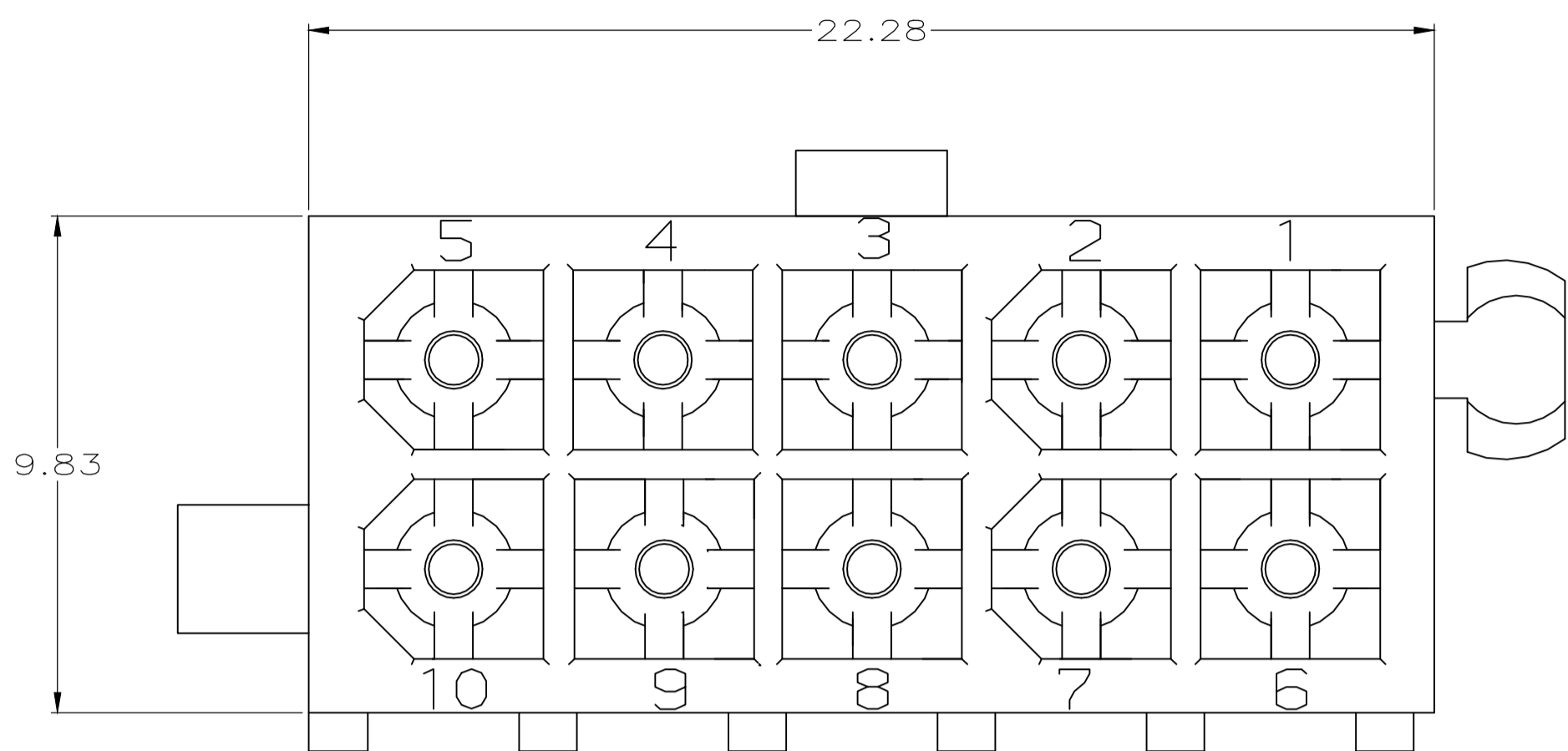
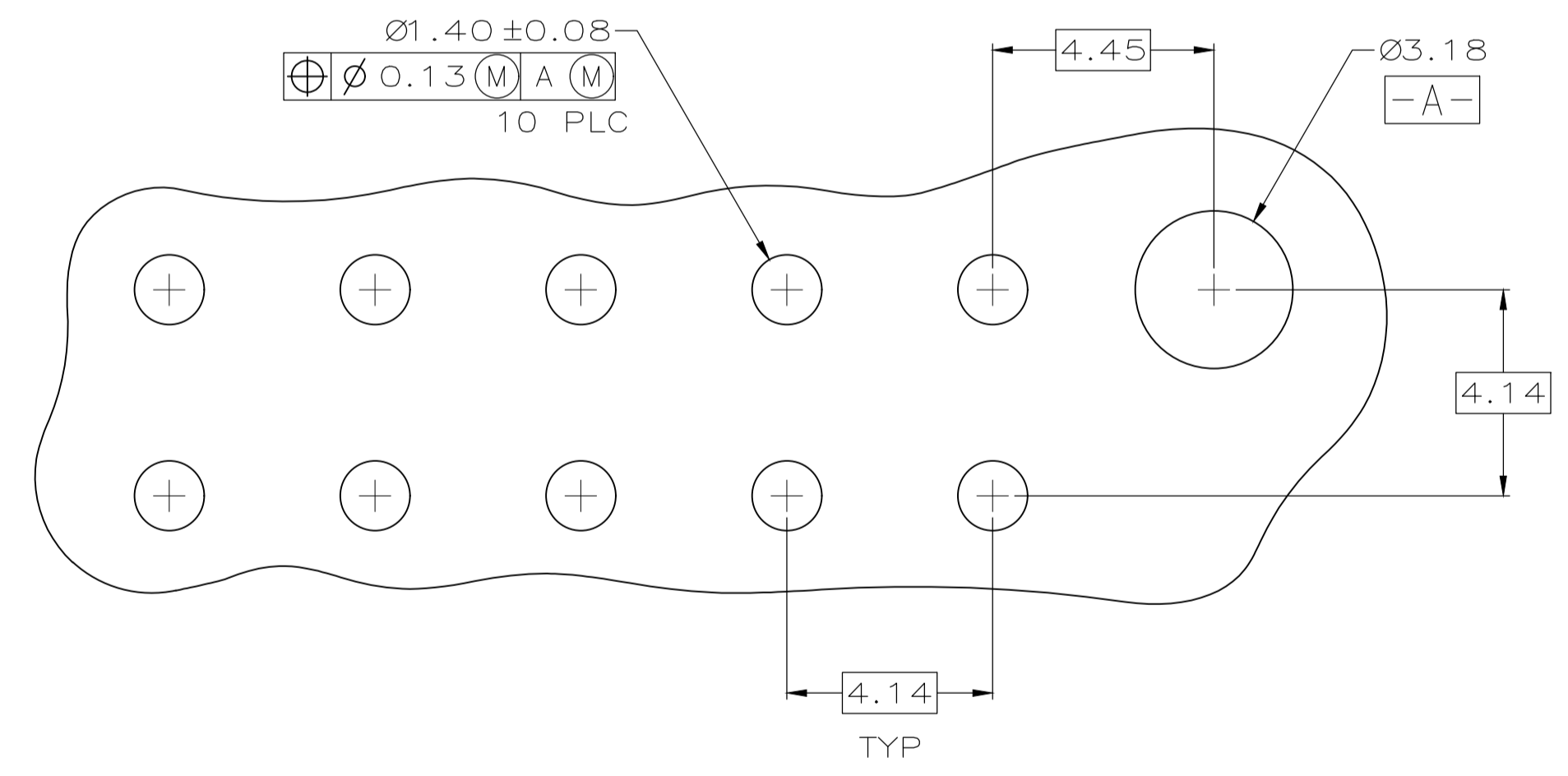
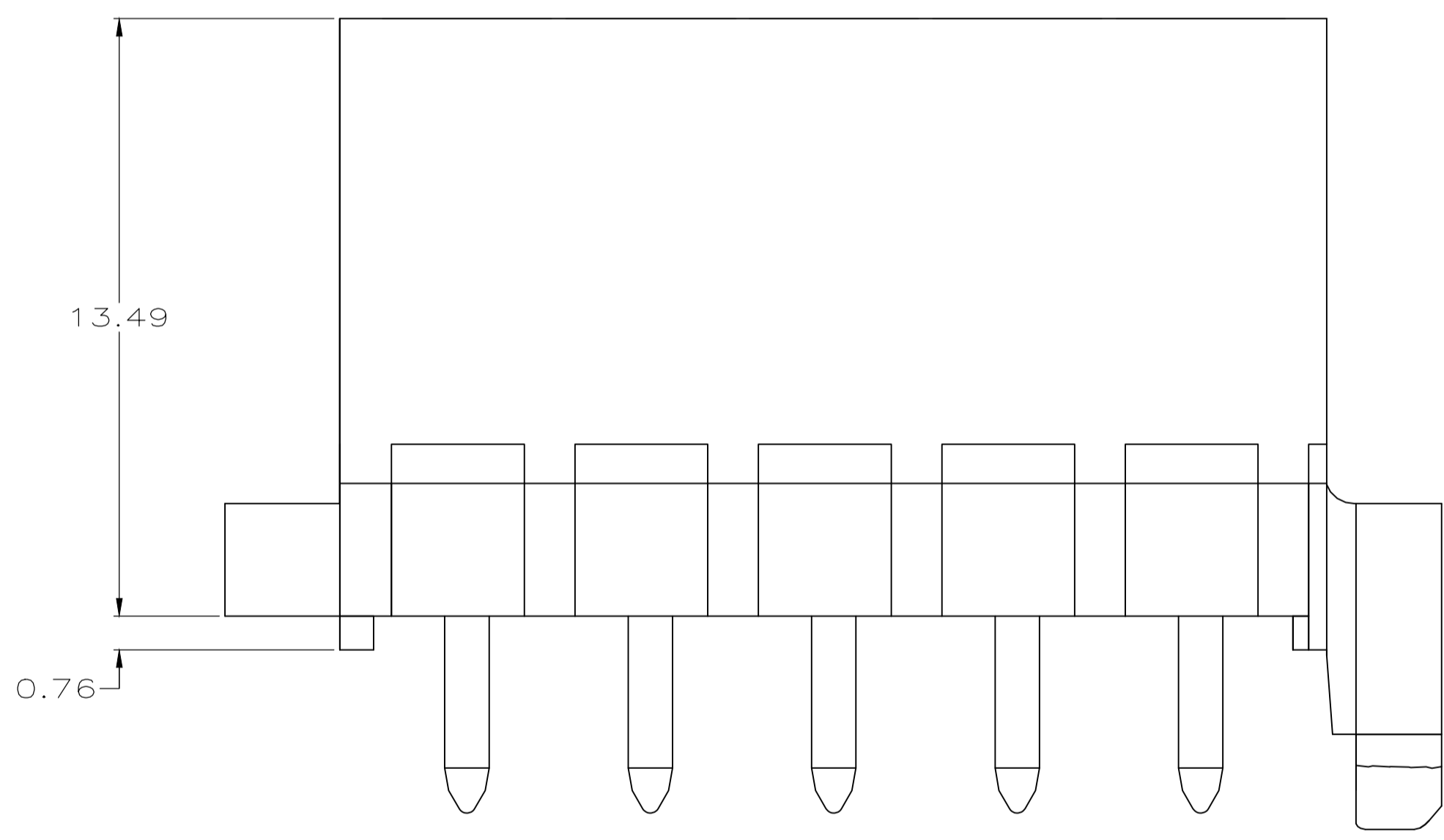


| REVISIONS | | | | | |
|-----------|-----|---------------------------|-----------|-----|------|
| P | LTR | DESCRIPTION | DATE | DMN | APVD |
| H2 | | REVISED PER ECR-18-005392 | 27NOV2018 | BDA | SG |



- PINS TO COMPLY WITH AMP SOLDERABILITY SPEC 109-11-3.
- 0.00076 MIN GOLD PLATE IN THE LOCALIZED PLATE AREA, 0.00381 MATTE TIN LEAD IN THE LOCALIZED PLATE AREA, BOTH OVER 0.00127 MIN NICKEL.
- 0.00381 MIN MATTE TIN LEAD PLATE OVER 0.00127 MIN NICKEL.
- 0.00076 MIN GOLD PLATE IN THE LOCALIZED PLATE AREA, 0.00381 MATTE TIN IN THE LOCALIZED PLATE AREA, BOTH OVER 0.00127 MIN NICKEL.
- 0.00381 MIN MATTE TIN PLATE OVER 0.00127 MIN NICKEL.



RECOMMENDED MOUNTING HOLE PATTERN FOR 1.57 THICK P.C. BOARD

| | | | |
|---------------------------------|-----------------|----------------------------|------------|
| OBSOLETE | BRASS, GOLD | NYLON, 94V-0, WHITE | 1-770858-1 |
| | BRASS, TIN | NYLON, 94V-0, WHITE | 1-770858-0 |
| | BRASS, GOLD | NYLON, 94V-0, WHITE | -770858-2 |
| | BRASS, TIN LEAD | NYLON, 94V-0, WHITE | -770858-1 |
| PIN CONTACT MATERIAL AND FINISH | | HOUSING MATERIAL AND COLOR | PART NO. |

THIS DRAWING IS A CONTROLLED DOCUMENT.

| | | |
|---|-------------------|--|
| DMN: C. MARTIN | 8-2-91 | TE Connectivity |
| CHK: R. SWING | 8-2-91 | |
| DIMENSIONS: mm TOLERANCES UNLESS OTHERWISE SPECIFIED: 0. PLC ± - 1. PLC ± - 2. PLC ± - 3. PLC ± 0.13 4. PLC ± - ANGLES ± - | | NAME: HDR ASSY, CLOSED BOTTOM 10 CRT DBLE ROW VERTICAL MINI UNIVERSAL MATE-N-LOK |
| MATERIAL: SEE TABLE | FINISH: SEE TABLE | WEIGHT: 0.000000 SIZE: A1 CAGE CODE: 00779 DRAWING NO: 770858 |
| CUSTOMER DRAWING | | SCALE: 8:1 SHEET: 1 of 1 REV: H2 |

单击下面可查看定价，库存，交付和生命周期等信息

[>>TE Connectivity\(泰科\)](#)