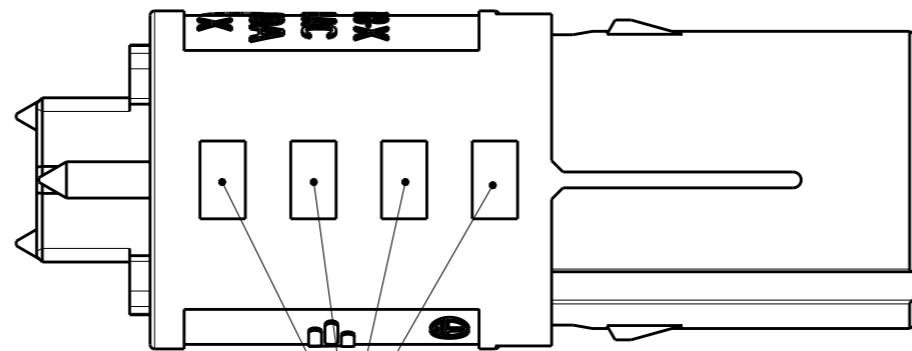


THIS DRAWING IS UNPUBLISHED. RELEASED FOR PUBLICATION 2011
 © COPYRIGHT 2011 BY - ALL RIGHTS RESERVED.

LOC	DIST	REVISIONS					
		P	LTR	DESCRIPTION	DATE	DWN	APVD
1	-	E		UPDATED	20FEB2013	MZ	JC
		F		PARTS -1, -2, -3 RELEASED FOR PRODUCTION	27JUN2013	KR	JC
		F1		REVISED PART NUMBERS	17JUL2017	SK	MZ
		F2		REVISED PER ECR-18-006945	20SEP2018	SR	MZ



VISUAL INDICATOR FOR PE CONDUCTOR

NOTES:

- 1) MATERIAL: POLYAMIDE GLASS FILLED COLOUR NATURAL
- 2) PACKAGING: SEE TE PACKAGING SPECIFICATION 107-20294

△3 N CODE

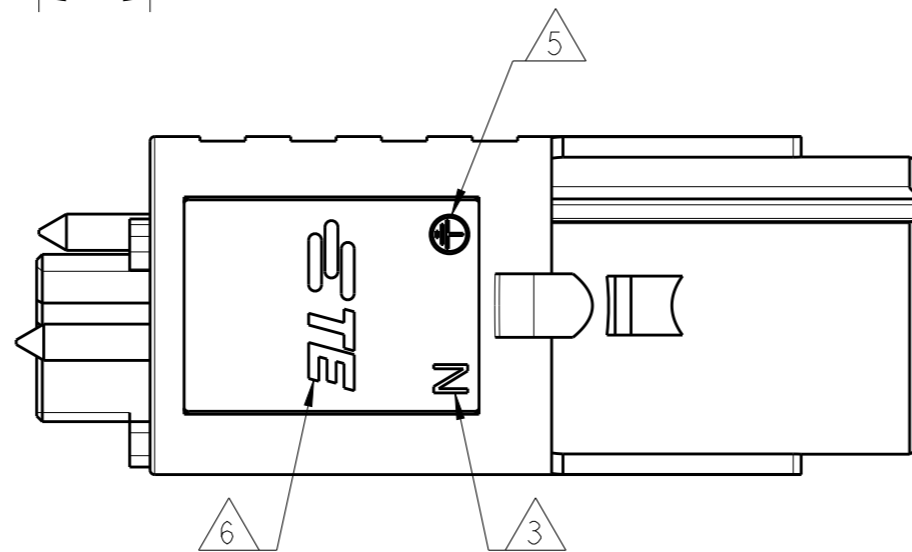
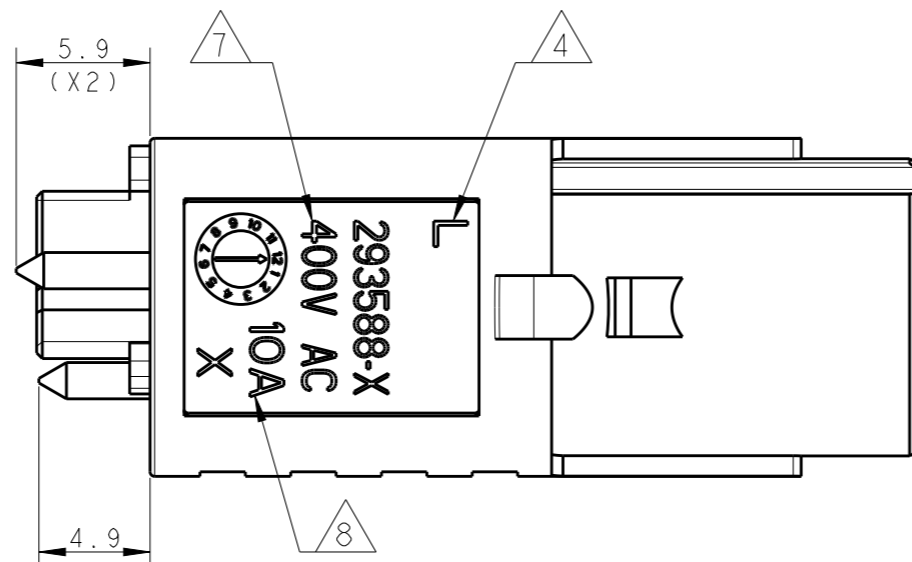
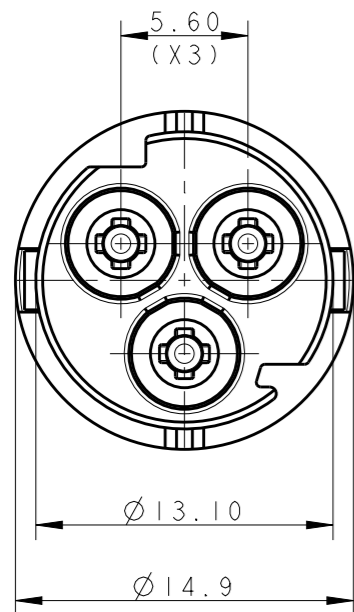
△4 L CODE

△5 PE CODE

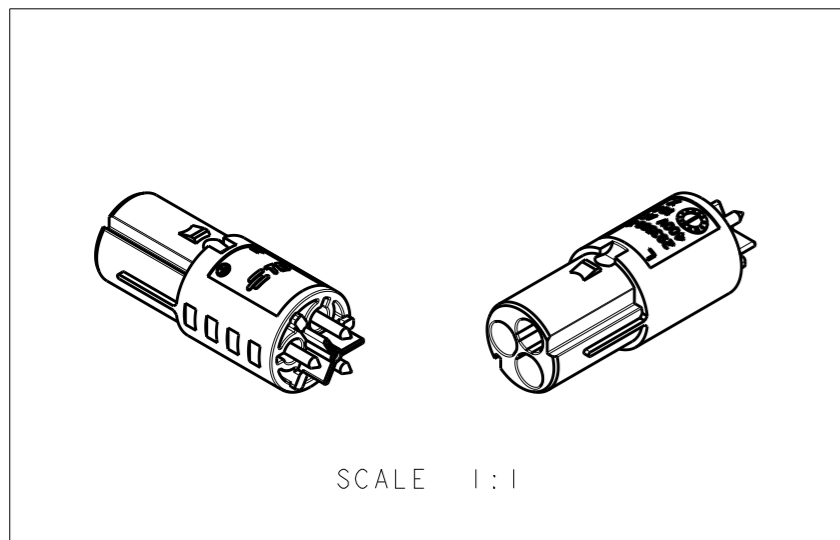
△6 TE LOGO

△7 RATED VOLTAGE

△8 RATED CURRENT



OBSOLETE	NATURAL	D	PIN CONNECTOR PCB 90 DEG NECTOR* M-LINE	I	293590-4
	NATURAL	C	PIN CONNECTOR PCB 90 DEG NECTOR* M-LINE	F	293590-3
	NATURAL	B	PIN CONNECTOR PCB 90 DEG NECTOR* M-LINE	F	293590-2
	NATURAL	A	PIN CONNECTOR PCB 90 DEG NECTOR* M-LINE	F	293590-1
	COLOUR	POL. KEYING	DESCRIPTION	REV.	PART NUMBER



THIS DRAWING IS A CONTROLLED DOCUMENT.

DIMENSIONS:	TOLERANCES UNLESS OTHERWISE SPECIFIED:
mm	
0 PLC	±-
1 PLC	±0.3
2 PLC	±0.20
3 PLC	±-
4 PLC	±-
ANGLES	±3°
MATERIAL	FINISH
-	-

DWN	M. ZUCCA	28OCT2009
CHK	M. ZUCCA	28OCT2009
APVD	G. TURCO	28OCT2009
PRODUCT SPEC	108-20304	
APPLICATION SPEC	114-20152	
WEIGHT	-	
Customer Drawing		

STE TE Connectivity			
NAME PIN CONNECTOR PCB VERTICAL VERSION NECTOR* M-LINE 3 POS. UNSEALED			
SIZE	CAGE CODE	DRAWING NO	RESTRICTED TO
A3	00779	C-293590	-
SCALE 3:1		SHEET 1 OF 3	REV F2

THIS DRAWING IS UNPUBLISHED.

RELEASED FOR PUBLICATION

2011

© COPYRIGHT 2011 BY -

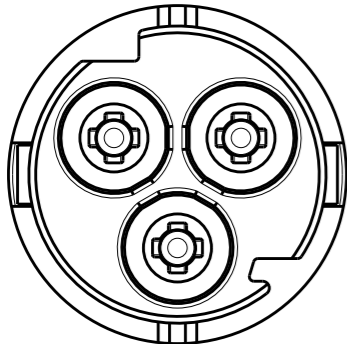
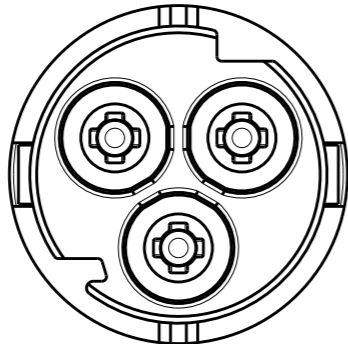
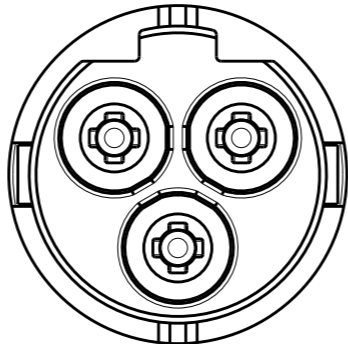
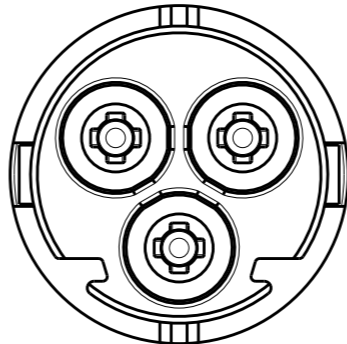
ALL RIGHTS RESERVED.

LOC	DIST
1	-

REVISIONS

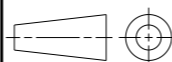
P	LTR	DESCRIPTION	DATE	DWN	APVD
-	-	SEE SHEET 1	-	-	-

POLARIZATION KEYS

TYPE "A"	TYPE "B"	TYPE "C"	TYPE "D"
P/N 293590-1 AS SHOWN	P/N 293590-2 AS SHOWN	P/N 293590-3 AS SHOWN	P/N 293590-4 AS SHOWN
			

THIS DRAWING IS A CONTROLLED DOCUMENT.

DIMENSIONS:
mm



TOLERANCES UNLESS OTHERWISE SPECIFIED:

- 0 PLC ±-
- 1 PLC ±0.3
- 2 PLC ±0.20
- 3 PLC ±-
- 4 PLC ±-
- ANGLES ±3°

MATERIAL -

FINISH -

DWN M. ZUCCA 28OCT2009
 CHK M. ZUCCA 28OCT2009
 APVD G. TURCO 28OCT2009

PRODUCT SPEC 108-20304
 APPLICATION SPEC 114-20152
 WEIGHT -

Customer Drawing



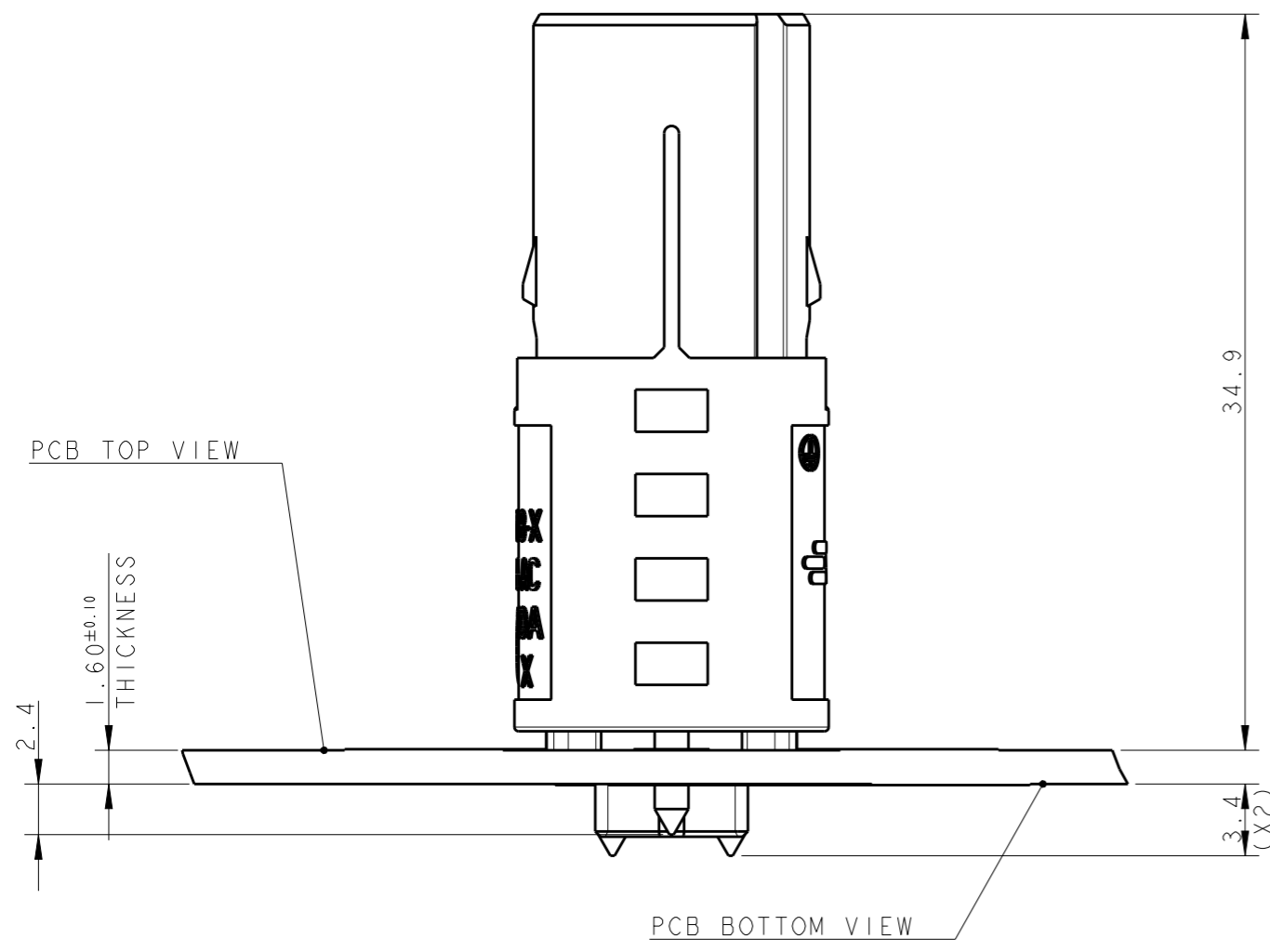
NAME
 PIN CONNECTOR PCB
 VERTICAL VERSION
 NECTOR* M-LINE 3 POS. UNSEALED

SIZE	CAGE CODE	DRAWING NO	RESTRICTED TO
A3	00779	C-293590	-

SCALE 3:1 SHEET 2 OF 3 REV F2

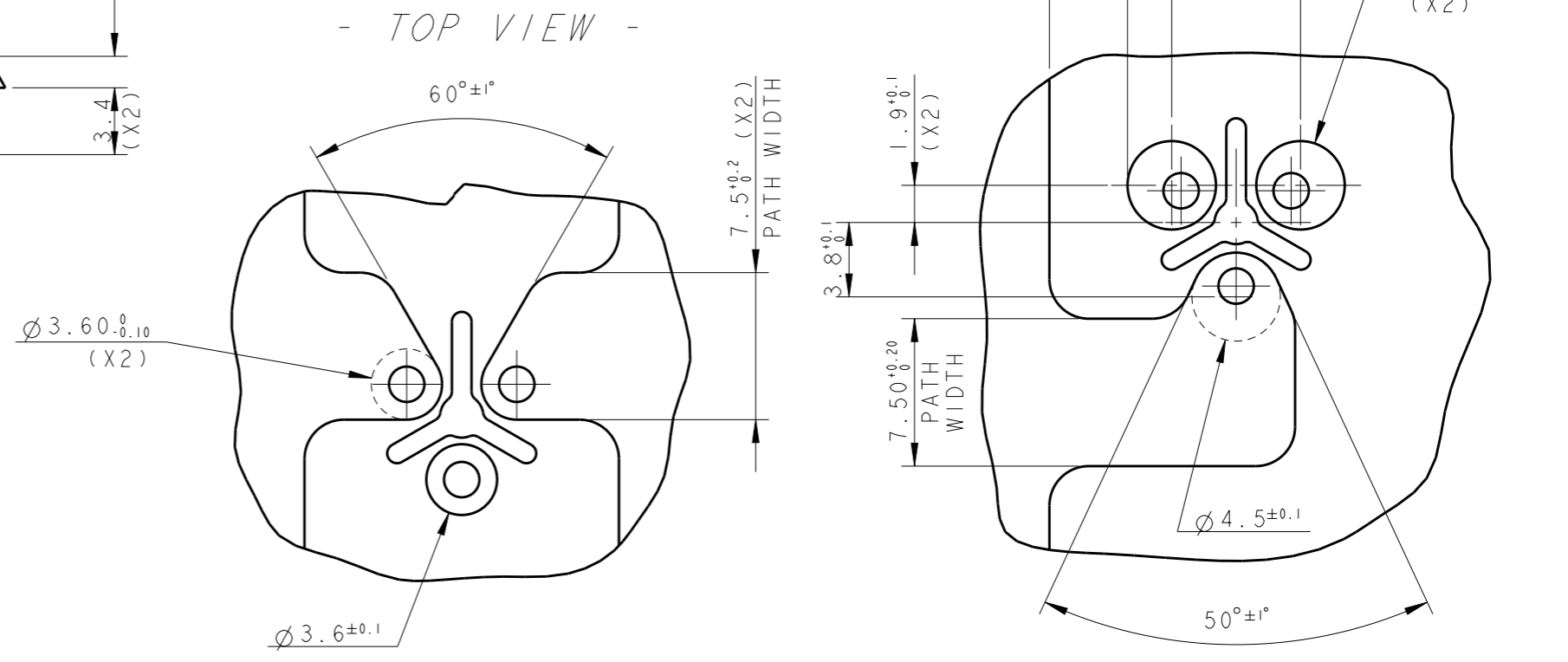
THIS DRAWING IS UNPUBLISHED. RELEASED FOR PUBLICATION 2011
 © COPYRIGHT 2011 BY - ALL RIGHTS RESERVED.

LOC		DIST		REVISIONS			
P	LTR	DESCRIPTION	DATE	DWN	APVD		
		SEE SHEET 1					

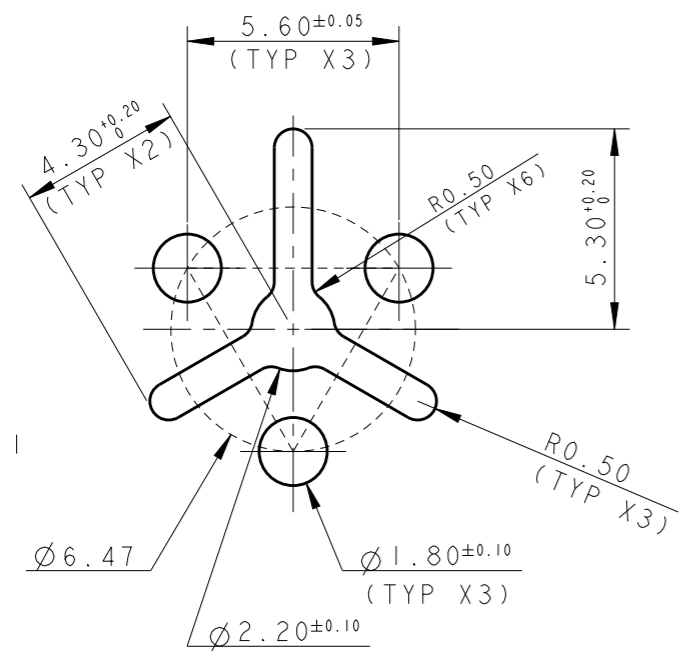


SUGGESTED L, N AND PE TRACKS LAYOUT ON PCB


- BOTTOM VIEW -



SUGGESTED PCB LAYOUT



SCALE 5:1

THIS DRAWING IS A CONTROLLED DOCUMENT.		DWN M. ZUCCA 28OCT2009	 TE Connectivity	
DIMENSIONS: mm		CHK M. ZUCCA 28OCT2009		
TOLERANCES UNLESS OTHERWISE SPECIFIED:		APVD G. TURCO 28OCT2009	NAME PIN CONNECTOR PCB VERTICAL VERSION NECTOR* M-LINE 3 POS. UNSEALED	
0 PLC ±-		PRODUCT SPEC 108-20304	SIZE A300779	
1 PLC ±0.3		APPLICATION SPEC 114-20152	CAGE CODE C-293590	
2 PLC ±0.20		WEIGHT -	DRAWING NO -	
3 PLC ±-		RESTRICTED TO -		
4 PLC ±-		SCALE 3:1		
ANGLES ±3°		SHEET 3 OF 3		
MATERIAL -		REV F2		
FINISH -		Customer Drawing		

单击下面可查看定价，库存，交付和生命周期等信息

[>>TE Connectivity\(泰科\)](#)