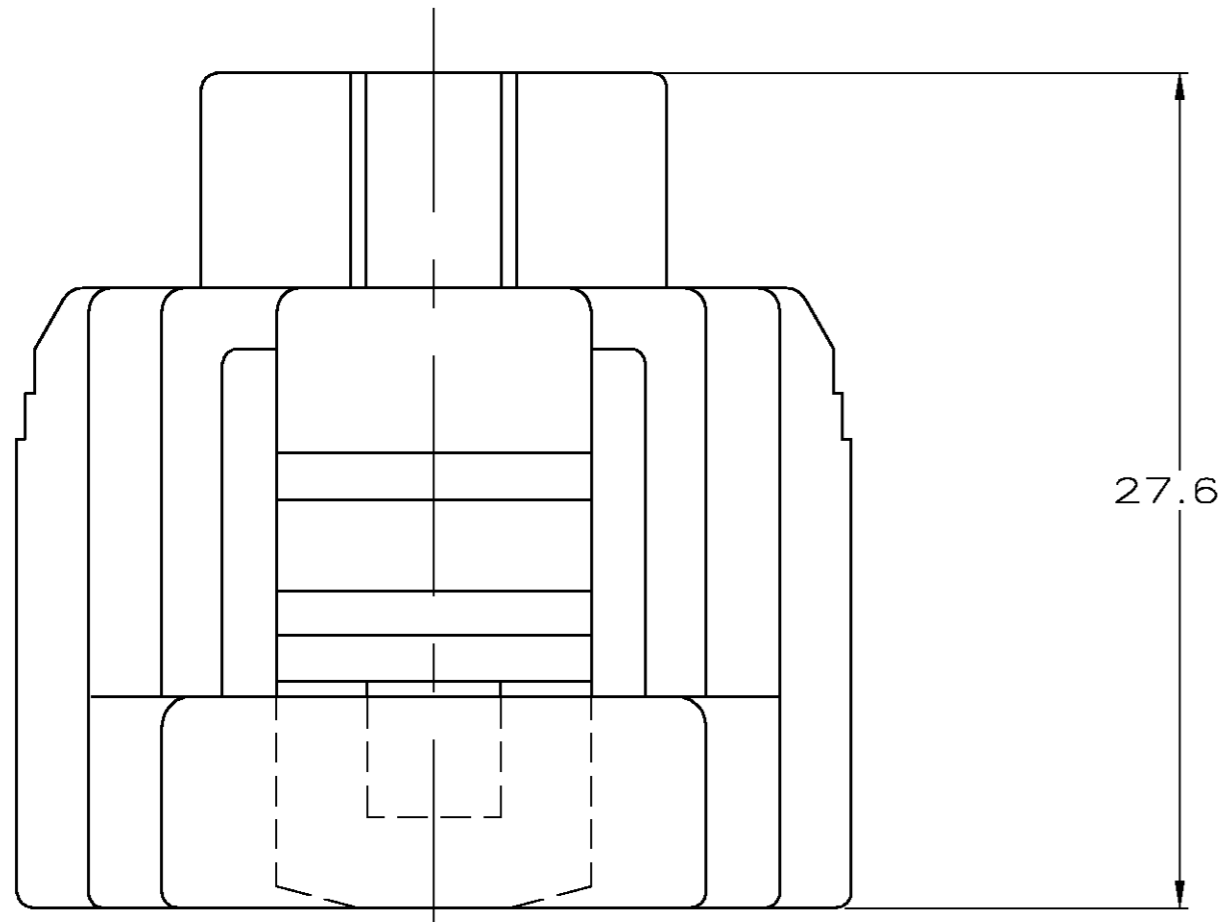
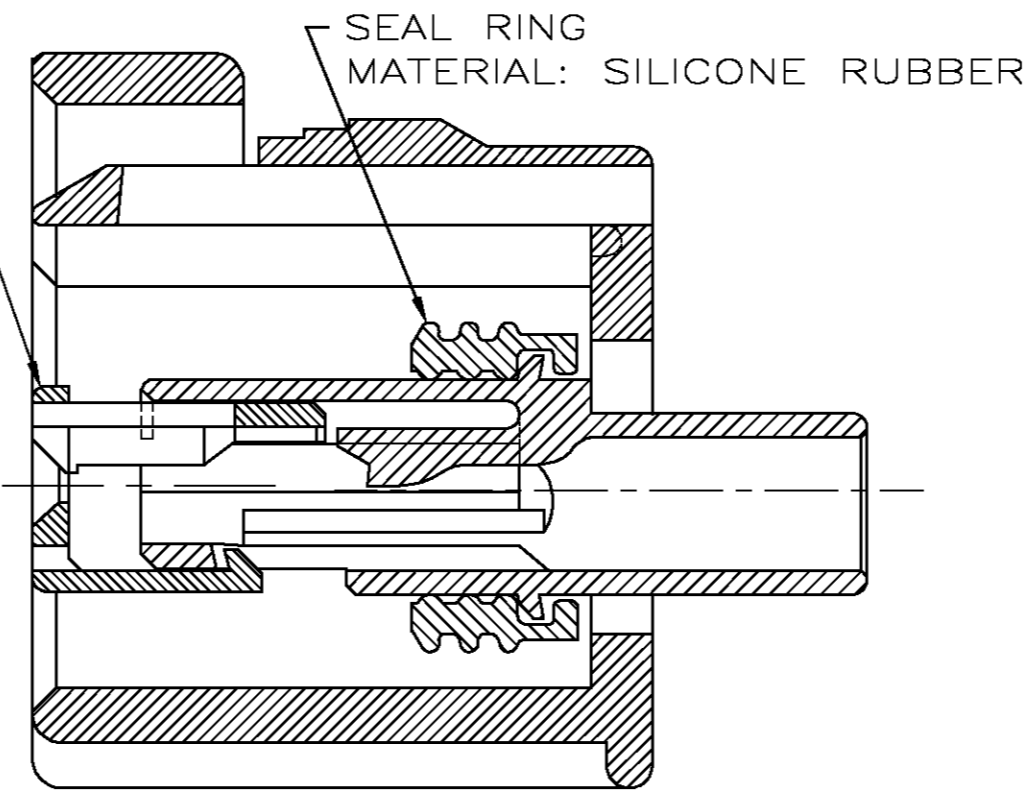


THIS DRAWING IS UNPUBLISHED. RELEASED FOR PUBLICATION  
 © COPYRIGHT BY TYCO ELECTRONICS CORPORATION. ALL RIGHTS RESERVED.

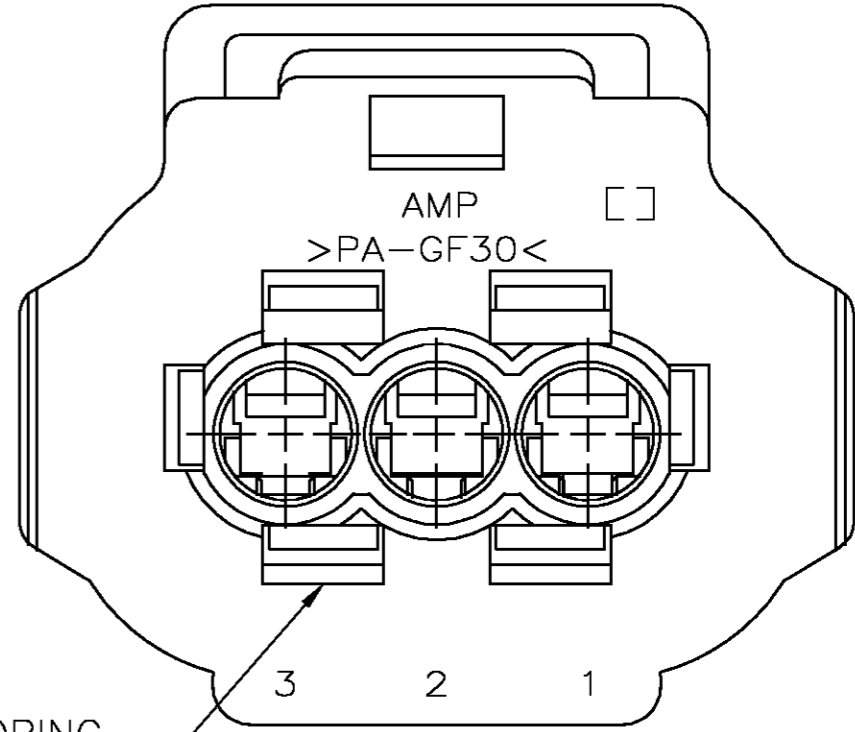
LOC		DIST		REVISIONS			
P	LTR	DESCRIPTION	DATE	DWN	APVD		
C		REVISED PER EC 0K40-0387-04	19NOV2004	DLD	KLK		



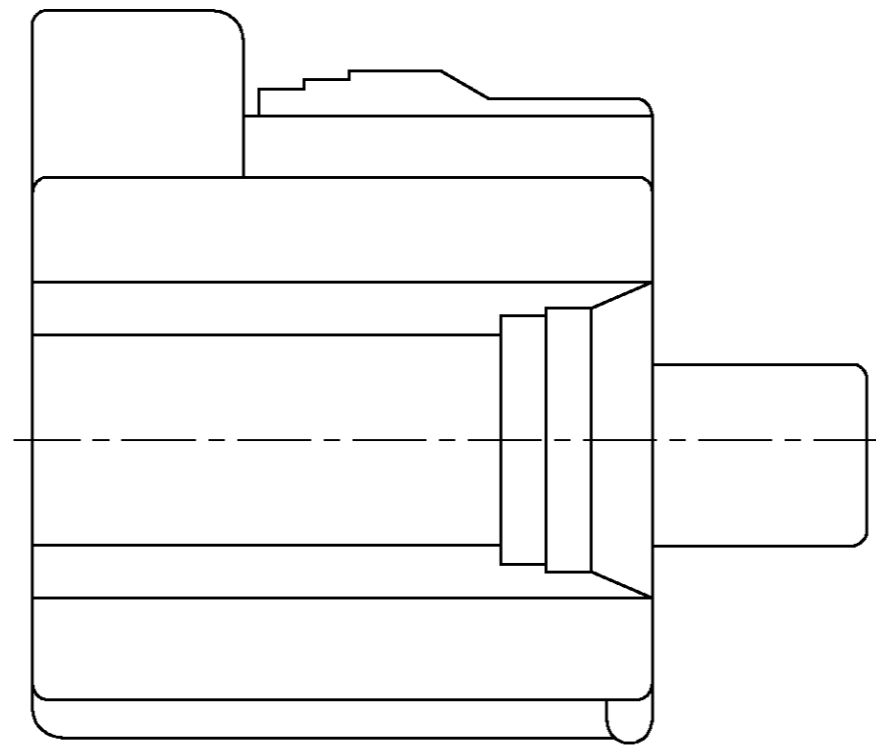
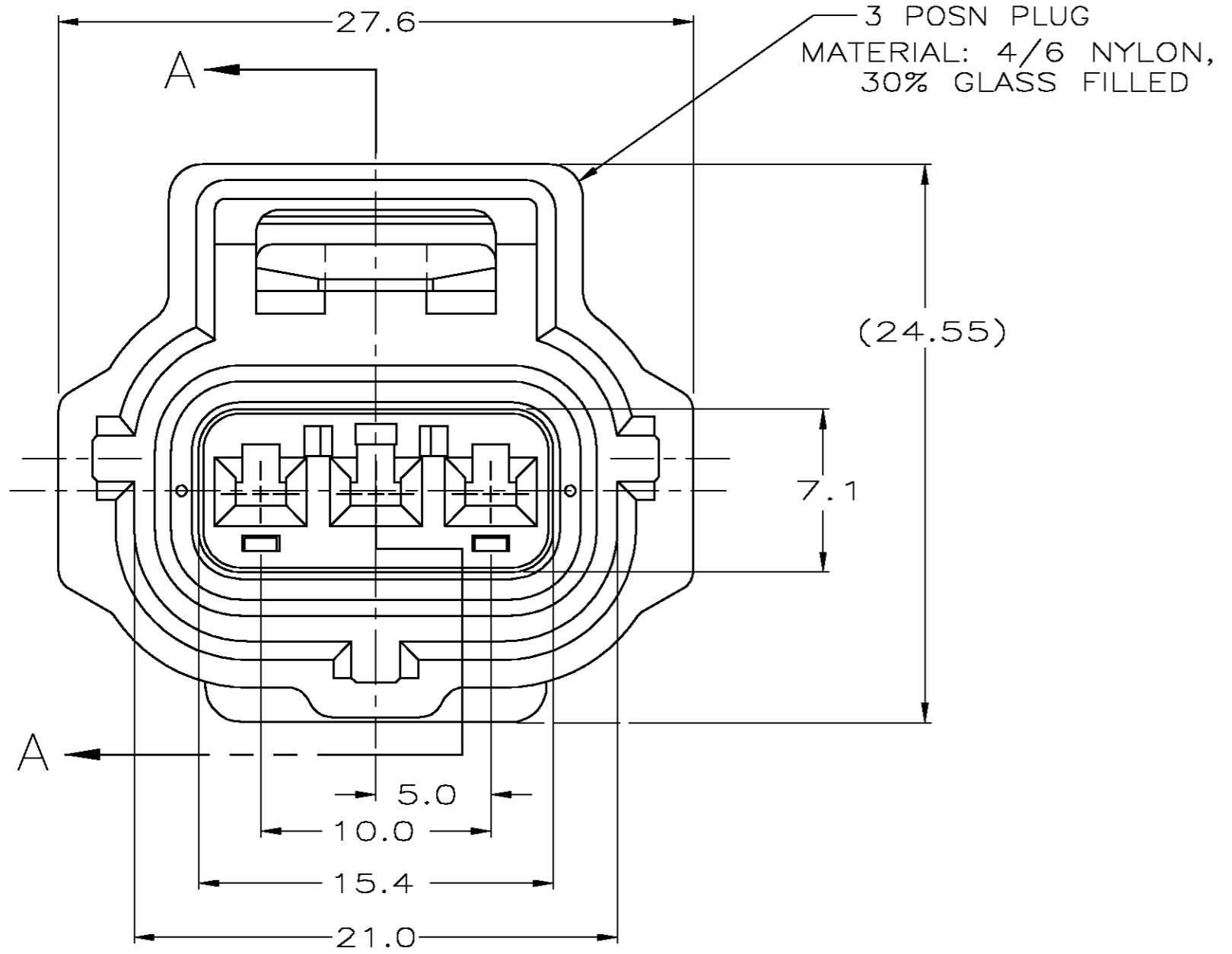
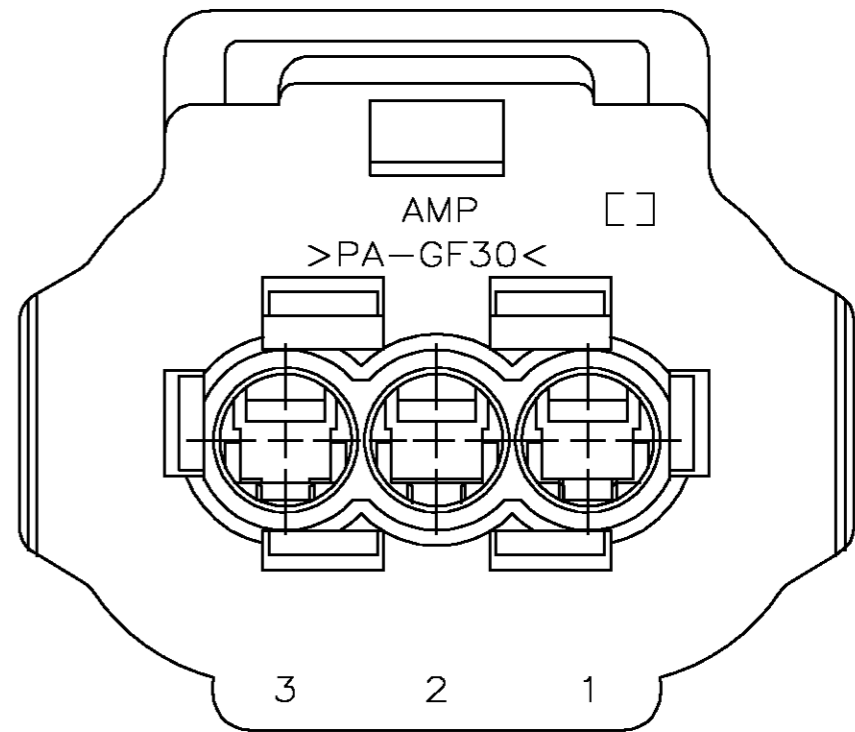
3 POSN. DOUBLE LOCK PLATE  
 MATERIAL: PBT, 15% GLASS FILLED



SECTION A-A



OPTIONAL CORING  
 2 PLACES



GRAY	184435-1
COLOR	PART NO

THIS DRAWING IS A CONTROLLED DOCUMENT.		DWN	R. COLE	15JAN02	Tyco Electronics Corporation Harrisburg, PA 17105-3608	
DIMENSIONS: MM		CHK	K. COBLE	15JAN02		
TOLERANCES UNLESS OTHERWISE SPECIFIED:		APVD	K. COBLE	15JAN02		
0 PLC ± - 1 PLC ± 0.3 2 PLC ± - 3 PLC ± - 4 PLC ± - ANGLES ± 1° FINISH -		PRODUCT SPEC				
MATERIAL AS NOTED		APPLICATION SPEC			NAME	1 X 3 PLUG ASSEMBLY KEY A-C4
		WEIGHT			SIZE	A2
		CUSTOMER DRAWING	SCALE	4:1	CAGE CODE	00779
			SHEET	1	DRAWING NO	C=184435
			OF	1	RESTRICTED TO	-
			REV	C		

184435

A

单击下面可查看定价，库存，交付和生命周期等信息

[>>TE Connectivity\(泰科\)](#)