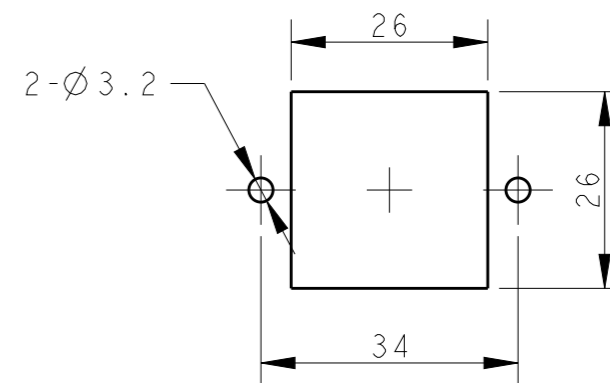
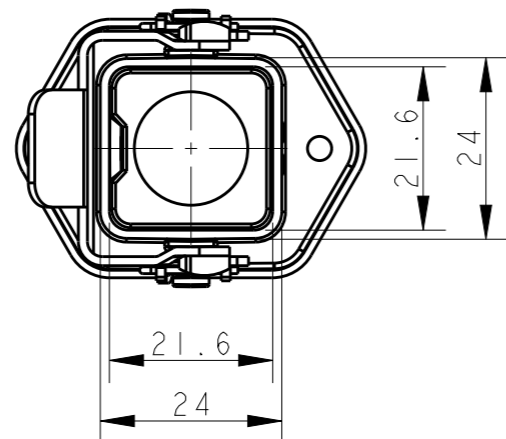
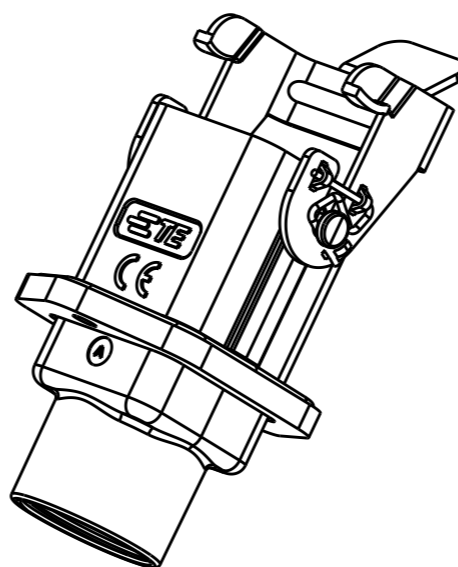


REVISIONS

P	LTR	DESCRIPTION	DATE	DWN	APVD
	A	INITIAL RELEASE	14JAN2016	DL	CW
	A1	ECR-16-001653	03FEB2016	DL	CW
	B	ECR-20-007782	24NOV2020	BS	CW



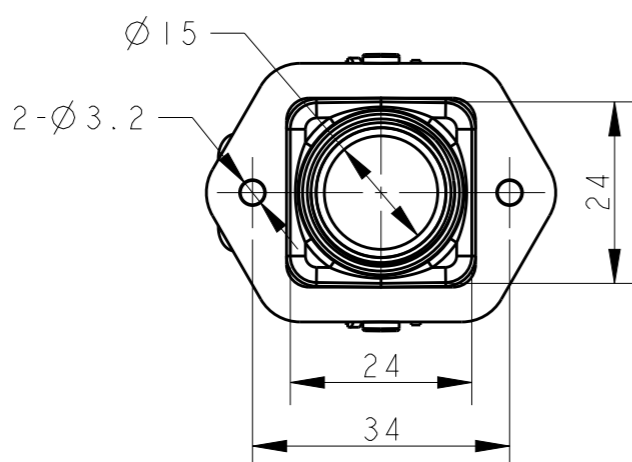
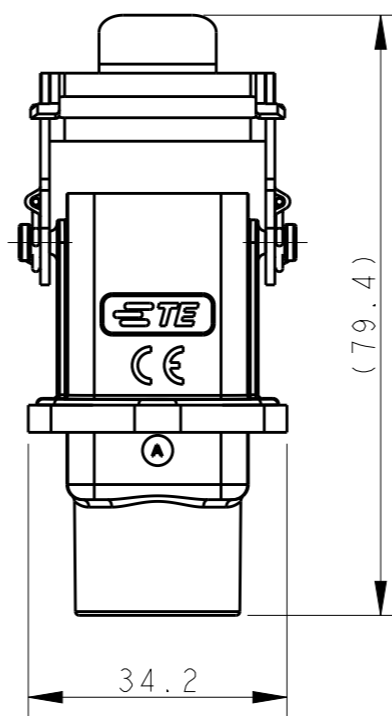
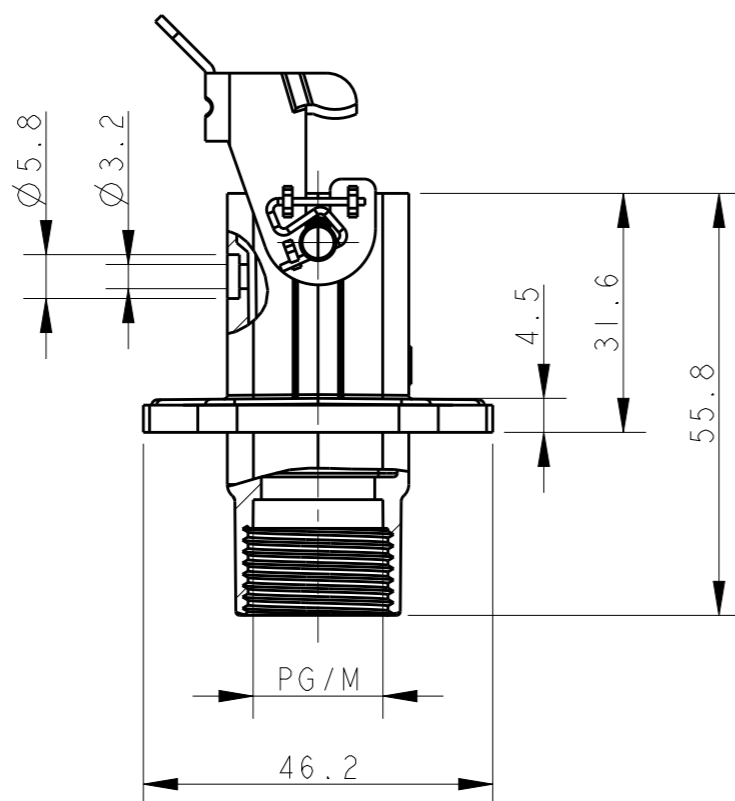
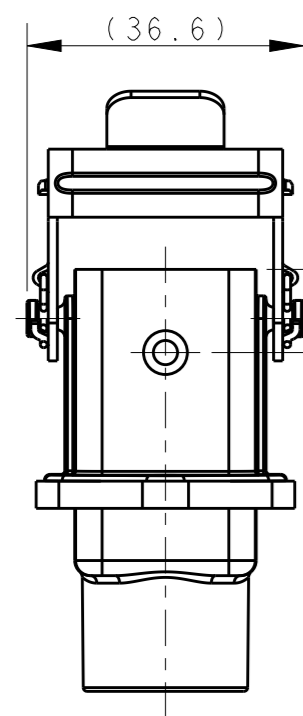
PANNEL CUT OUT

NOTES:

- 1. TECHNICAL CHARACTERISTICS:
 BODY MATERIAL: DIE CAST ZINC ALLOY
 SURFACE TREATMENT: POWDER-COATED, GRAY
 DEGREE OF PROTECTION: IP65 (MATED)

注释:

- 1. 技术参数:
 主体材料: 锌合金
 表面处理: 粉末喷涂, 灰色
 防护等级: IP65(配合)



T1509033111-000	H3A-MAG-PG11 H3A 开孔安装下壳 PG11	PG11
T1509033120-000	H3A-MAG-M20 H3A 开孔安装下壳 M20	M20
PART NUMBER 料号	PART DESCRIPTION 描述	PG/M PG/M螺纹孔

DIMENSIONS:		TOLERANCES UNLESS OTHERWISE SPECIFIED:		DWN		TE Connectivity			
mm		0 PLC	±-	DAVID LI	14JAN2016				
		1 PLC	±-	CHK	14JAN2016				
		2 PLC	±-	CHRIS WANG	14JAN2016				
		3 PLC	±-	APVD	14JAN2016				
		4 PLC	±-	XU XIANG		NAME			
		ANGLES	±-			H3A-MAG-PG/M			
MATERIAL	FINISH			PRODUCT SPEC		SIZE	CAGE CODE	DRAWING NO	RESTRICTED TO
-	-			108-137170		A3	-	©-T15090331XX000	-
				APPLICATION SPEC				SCALE	SHEET
				114-137012				1:1	1 OF 1
				WEIGHT				REV	B
				-					
				Customer Drawing					

单击下面可查看定价，库存，交付和生命周期等信息

[>>TE Connectivity\(泰科\)](#)