

4

3

2

1

THIS DRAWING IS UNPUBLISHED.

RELEASED FOR PUBLICATION

2015

© COPYRIGHT 2015 BY -

ALL RIGHTS RESERVED.

REVISIONS

P	LTR	DESCRIPTION	DATE	DWN	APVD
	A	RELEASED	07SEP2015	K.S	D.Z
	A1	REVISED PER ECR-15-018160	21DEC2015	K.S	D.Z
	A2	REVISED PER ECR-16-007851	31MAY2016	K.S	D.Z

キャビティマーク  
CAVITY MARK

回路番号  
CIRCUIT No.

キーイングマーク  
KEYING MARK

トレードマーク  
TRADE MARK

1. 適用基板厚 : 1.0+, 1.6+  
2. コプラナリティ : 0.1MAX.

1. APPLICABLE P.C.B THK. : 1.0+, 1.6+  
2. COPLANARITY : 0.1MAX.

KEYING TYPE (SCALE 3:1)

TYPE A

TYPE B

TYPE C

TYPE D

推奨基板寸法  
RECOMMENDED PCB DIMENSIONS  
SCALE 4:1

2229813-4	BLUE	TYPE-D	3POS	2229812-4
2229813-3	BROWN	TYPE-C	3POS	2229812-3
2229813-2	BLACK	TYPE-B	3POS	2229812-2
2229813-1	NATURAL	TYPE-A	3POS	2229812-1
嵌合相手製品型番 MATING CONN. P/N	色 COLOR	キーイングタイプ TYPE OF KEYING	極数 POS.	型番 PART NO.

TABLE 1

アイテム ITEM	名称 NAME	材質、表面処理 MATERIAL & FINISH
①	ヘッダーハウジング HEADER HOUSING	高耐熱ナイロン ガラス強化 (UL94V-0) HIGH HEAT RESISTANT NYLON GLASS FILLED (UL94V-0)
②	ポストコンタクト POST CONTACT	錫めっき黄銅 PRE TIN BRASS
③	ペグ PEG	リン青銅 錫めっき仕上げ PHOSPHOR BRONZE TIN PLATE

THIS DRAWING IS A CONTROLLED DOCUMENT.

DIMENSIONS: 単位: 概 mm	TOLERANCES UNLESS OTHERWISE SPECIFIED:
	一般公差 ±0.2
	0 PLC ±
	1 PLC ±
	2 PLC ±
	3 PLC ±
4 PLC ±	
ANGLES ±3°	
MATERIAL 材料	FINISH 仕上
SEE TABLE 1	SEE TABLE 1

DWN	07SEP2015
K.SAKAI	
CHK	07SEP2015
DANIEL ZHANG	
APVD	07SEP2015
DANIEL ZHANG	
PRODUCT SPEC	108-78982
製品規格	
APPLICATION SPEC	114-5286
取付適用規格	
WEIGHT	0.76g
CUSTOMER DRAWING	

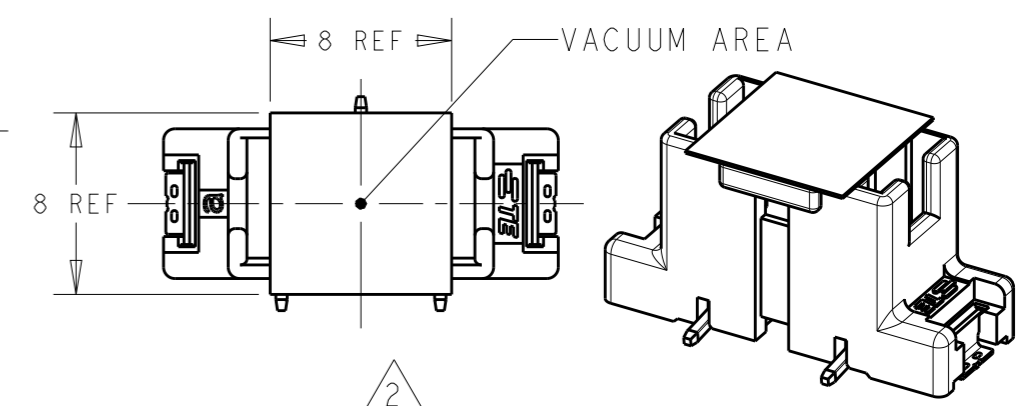
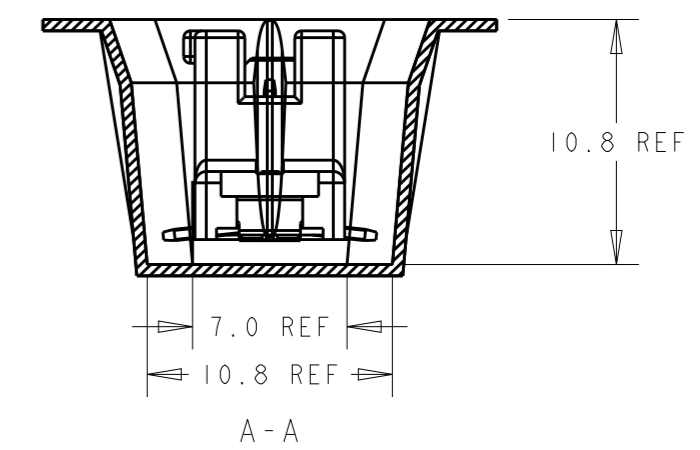
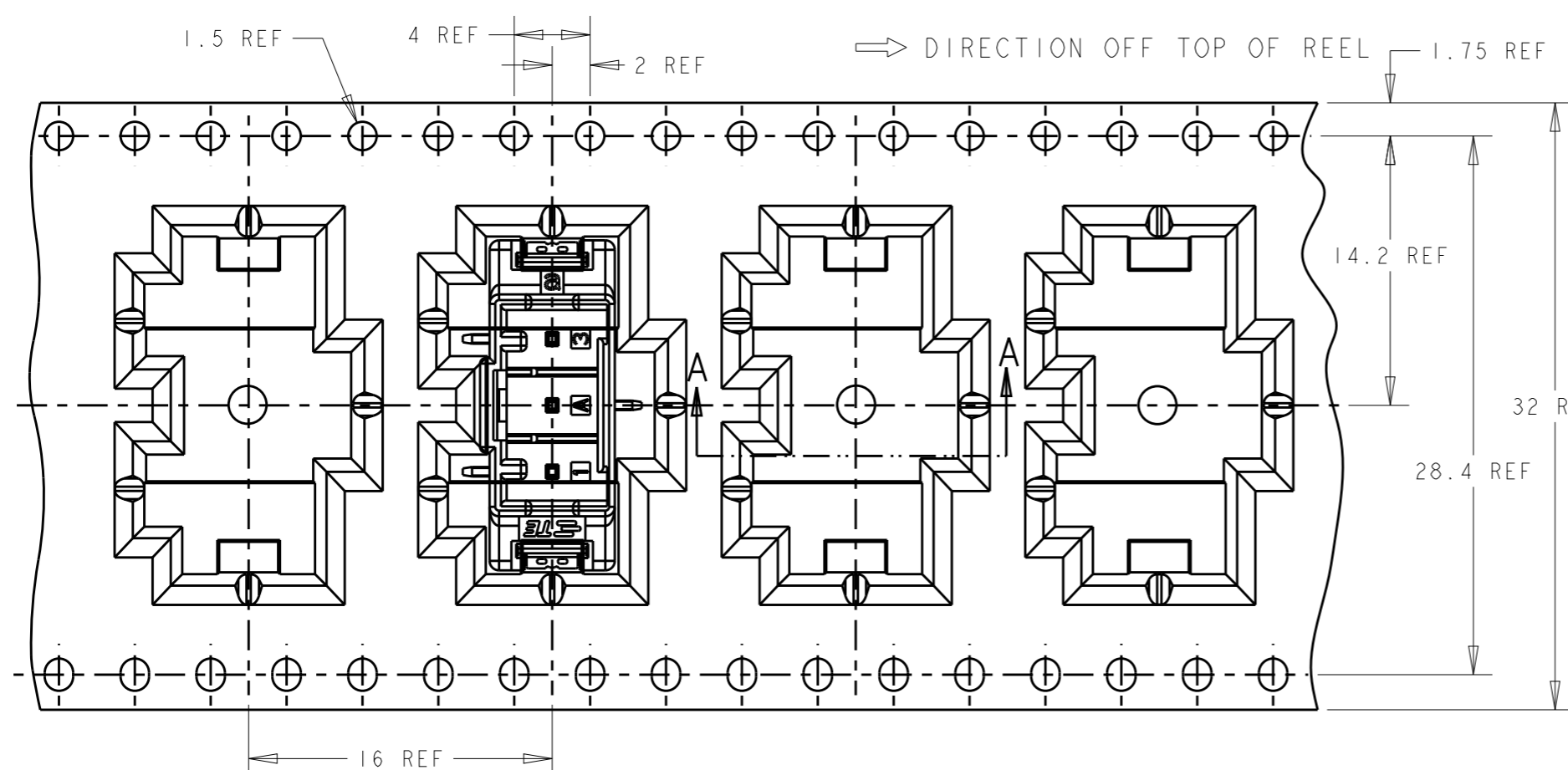
		TE Connectivity	
		NAME 名称	
HEADER ASSEMBLY MOTOR I/O CONNECTOR		SIZE	CAGE CODE
		DRAWING NO	RESTRICTED TO
		番号	
		①-2229812	
		SCALE 尺度	SHEET 1 OF 2
		5:1	REV A2

1470-19 (3/13)

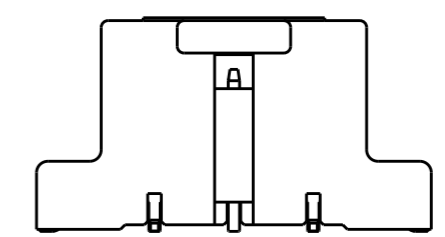
Downloaded From [Onevac.com](http://Onevac.com)

THIS DRAWING IS UNPUBLISHED. RELEASED FOR PUBLICATION 2015  
 © COPYRIGHT 2015 BY - ALL RIGHTS RESERVED.

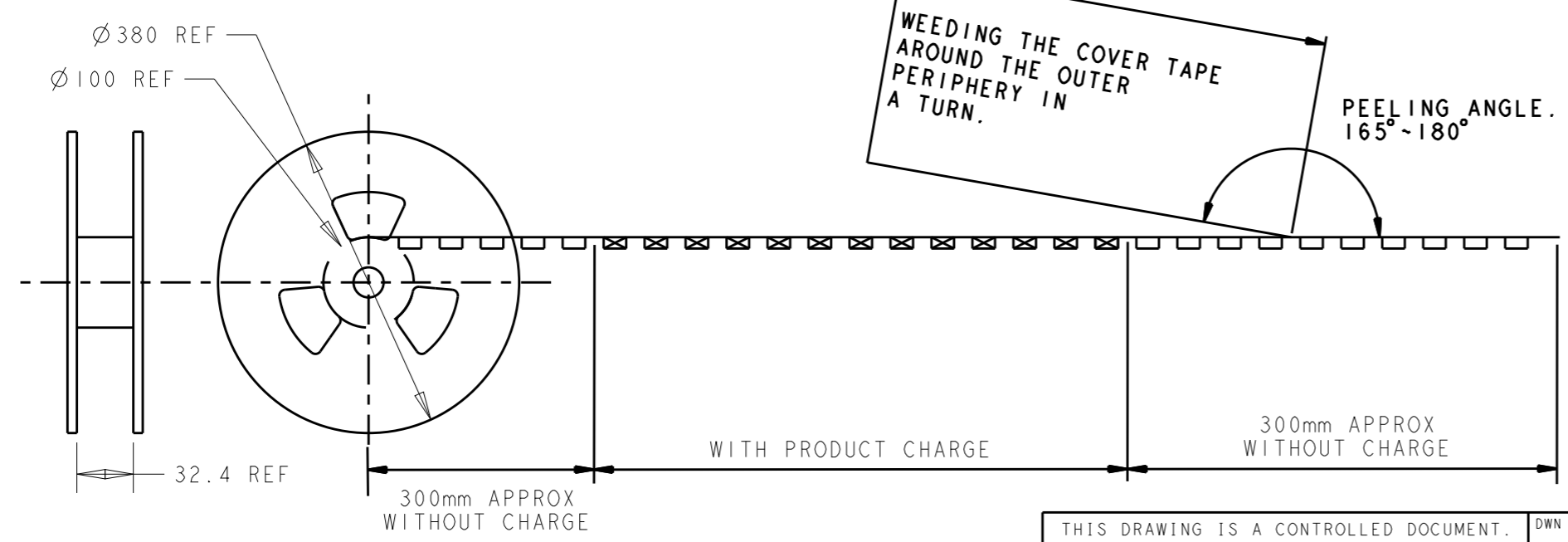
REVISIONS					
P	LTR	DESCRIPTION	DATE	DWN	APVD
-	-	SEE SHEET 1	-	-	-



↑ MEASURING DIRECTION FOR PEELING STRENGTH OF POLYIMIDE TAPE



HEADER ASSEMBLY WITH POLYIMIDE TAPE



- 1. UNLESS OTHERWISE SPECIFIED TOLERANCE PER EIA-481.
- 2. PEELING STRENGTH OF POLYIMIDE TAPE : 0.1N MIN.  
PEELING SPEED : 100mm/MINUTE

THIS DRAWING IS A CONTROLLED DOCUMENT.		DWN	TE Connectivity	
DIMENSIONS: 單位: 耗 mm		CHK		
TOLERANCES UNLESS OTHERWISE SPECIFIED:		APVD	NAME 名称: HEADER ASSEMBLY MOTOR I/O CONNECTOR	
一般公差 0 PLC ± 1 PLC ± 2 PLC ± 3 PLC ± 4 PLC ± ANGLES ±3°		PRODUCT SPEC 製品規格	SIZE: A3	
MATERIAL 材料		APPLICATION SPEC 取付適用規格	CAGE CODE: -	DRAWING NO. 番号: C-2229812
FINISH 仕上		WEIGHT	RESTRICTED TO: -	
		CUSTOMER DRAWING	SCALE 尺度: NTS	SHEET 2 OF 2 REV A2

单击下面可查看定价，库存，交付和生命周期等信息

[>>TE Connectivity\(泰科\)](#)