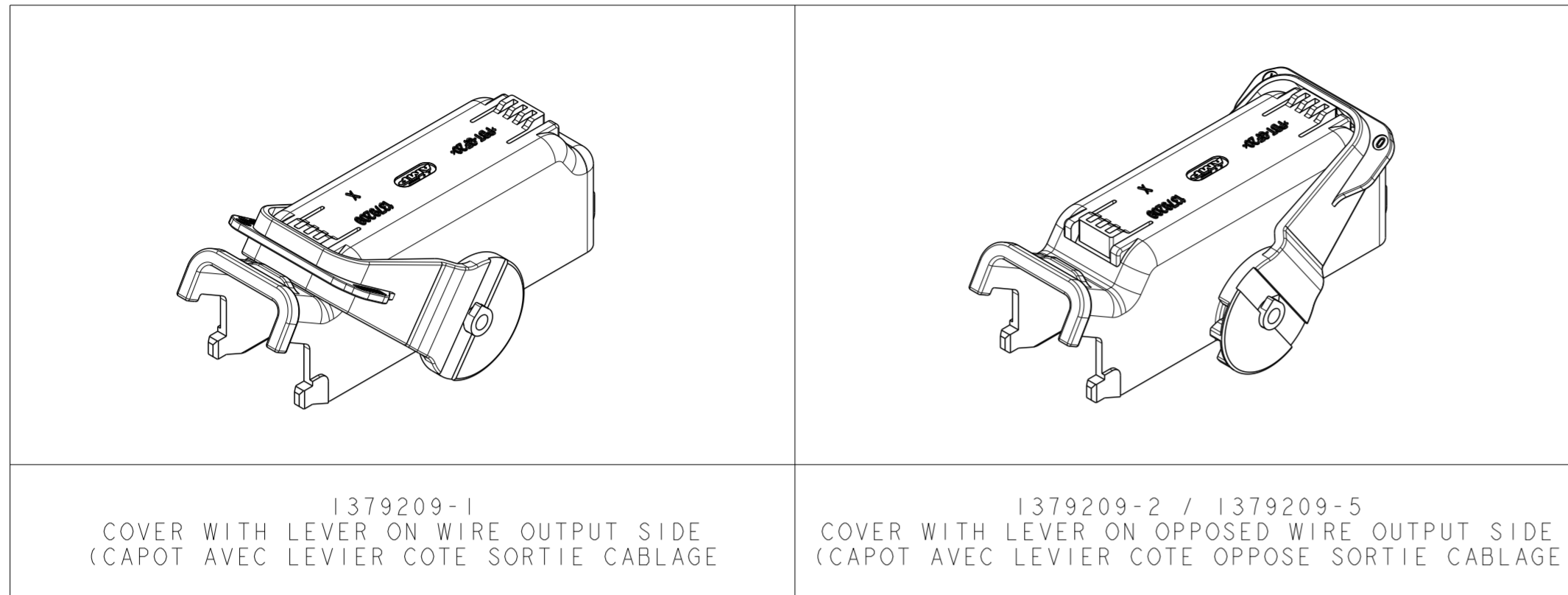


THIS DRAWING IS UNPUBLISHED. RELEASED FOR PUBLICATION 20
 © COPYRIGHT 20 BY - ALL RIGHTS RESERVED.

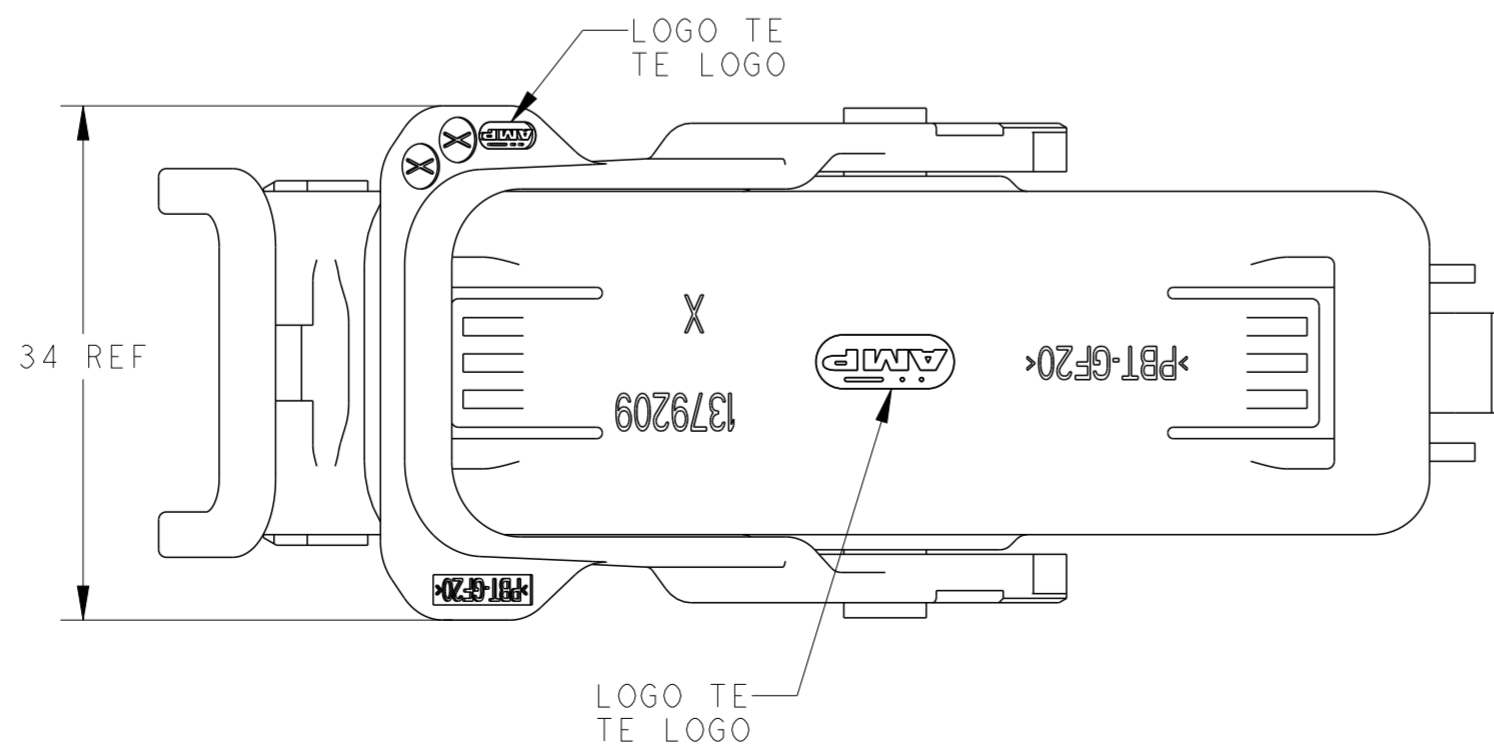
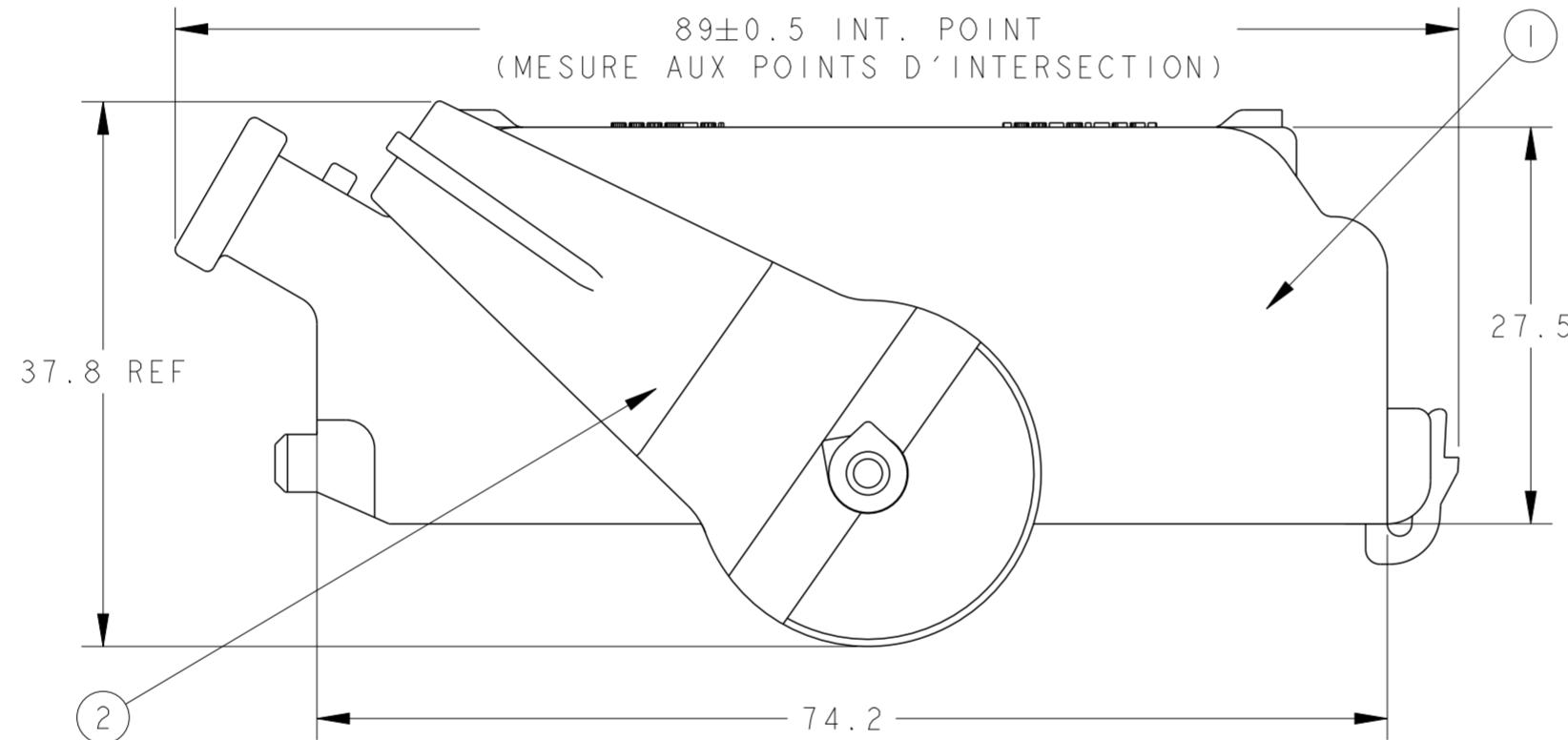
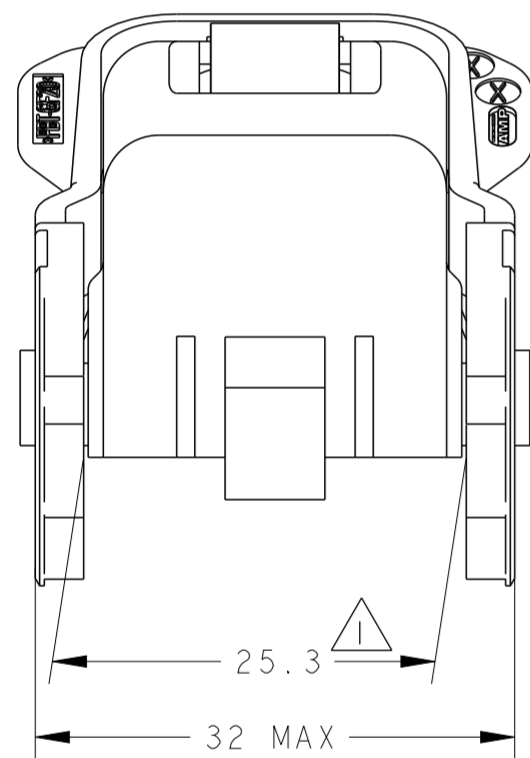
REVISIONS				
P	LTR	DESCRIPTION	DATE	APVD
E		CLARIFICATION OF DIMENSIONING	07OCT2008	DB JJR
F		TE LOGO ADMISSIBLE	08JAN2010	DB JJR
G		ADD 1379209-5 FOR CHINESE MARKET ONLY	22OCT2014	DB JPP

ECHELLE 1:1



1379209-1
COVER WITH LEVER ON WIRE OUTPUT SIDE
(CAPOT AVEC LEVIER COTE SORTIE CABLAGE)

1379209-2 / 1379209-5
COVER WITH LEVER ON OPPOSED WIRE OUTPUT SIDE
(CAPOT AVEC LEVIER COTE OPPOSE SORTIE CABLAGE)



⚠ NIPPING ALLOWED : 1mm
(PINCEMENT ADMISSIBLE : 1mm)

TO BE USED WITH RECEPTACLE HOUSING PN 1379208-X
(A UTILISER AVEC PORTE-CLIPS REF. 1379208-X)

QTY	COLOR	MATERIAL	DESIGNATION	ITEM
1	YELLOW	PBT GF 20%	LEVER	2
1	BLACK	PBT GF 20%	COVER	1

1379209-X		
-5	-2	-1

FOR CHINESE MARKET ONLY

THIS DRAWING IS A CONTROLLED DOCUMENT.		DWN 04SEP2000 D. BANCE	TE Connectivity	
DIMENSIONS: mm		CHK 04SEP2000 JP. PICAUD		
TOLERANCES UNLESS OTHERWISE SPECIFIED:		APVD 04SEP2000 JJ. REVIL	NAME 26 WAY COVER	
0 PLC ±	1 PLC ±	PRODUCT SPEC -	SIZE A2	CAGE CODE -
2 PLC ±0.2	3 PLC ±	APPLICATION SPEC -	DRAWING NO G-1379209	RESTRICTED TO -
4 PLC ±	ANGLES ±5°	WEIGHT 18,4 grs	SCALE 2:1	SHEET 1 OF 1
MATERIAL -	FINISH -	Customer Drawing	REV G	

单击下面可查看定价，库存，交付和生命周期等信息

[>>TE Connectivity\(泰科\)](#)