

THIS DRAWING IS UNPUBLISHED.

RELEASED FOR PUBLICATION

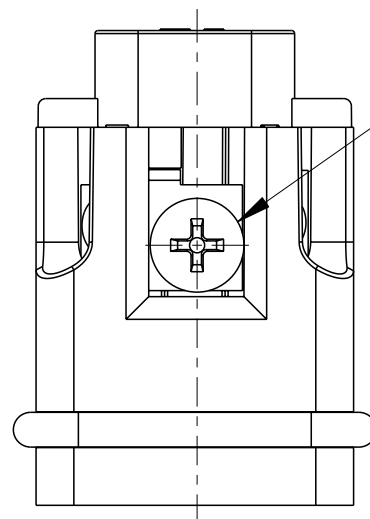
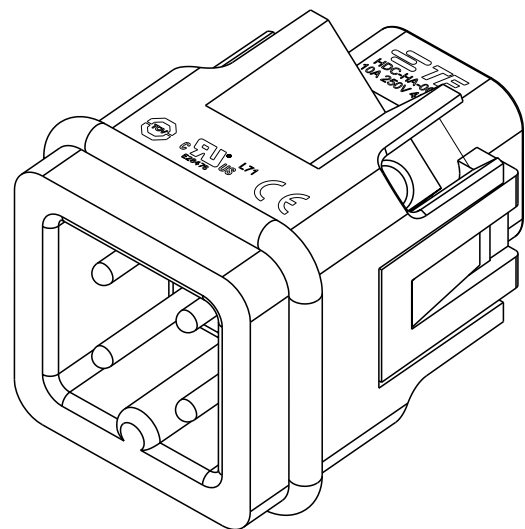
20

© COPYRIGHT 20 BY -

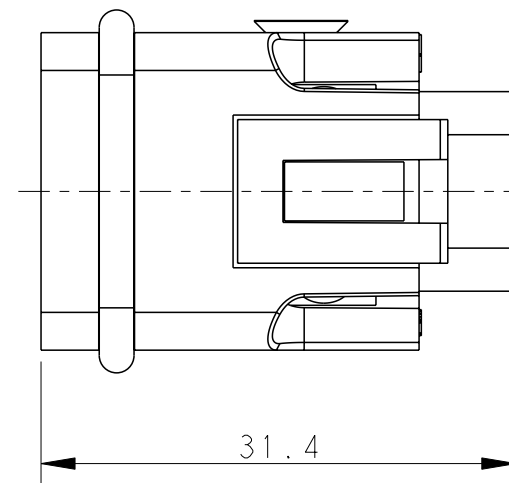
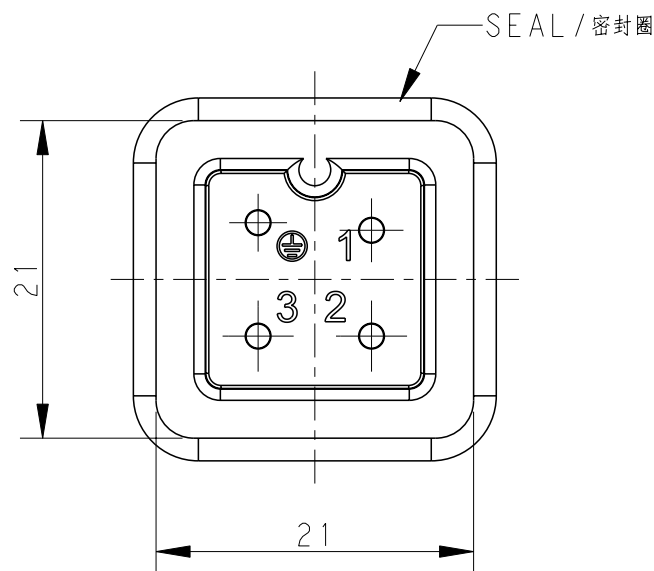
ALL RIGHTS RESERVED.

REVISIONS

P	LTR	DESCRIPTION	DATE	DWN	APVD
B		ECR-15-013750	19SEP2015	DW	CW
B1		ECR-15-016224	05NOV2015	DW	CW
B2		ECR-16-017507	12DEC2016	QY	CW
C		ECR-20-016101	09JUN2021	BS	CW



TYPE-1, T2010032101-000, TE LOGO  
 类型-1, T2010032101-000, TE LOGO

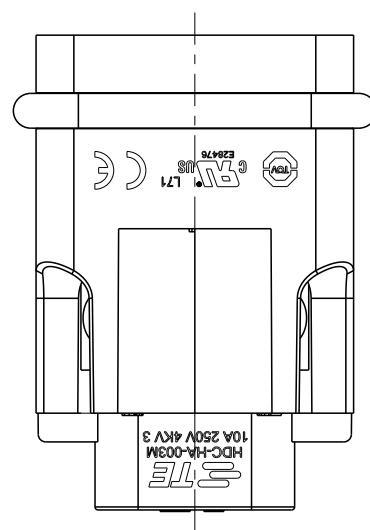


NOTES:

1. TECHNICAL CHARACTERISTICS:  
 INSULATION MATERIAL: PC  
 RATED VOLTAGE: 250 V  
 RATED CURRENT: 10 A  
 INSULATION RESISTANCE: >=400MΩ  
 RATED IMPULSE VOLTAGE: 4 KV  
 POLLUTION DEGREE: 3  
 FLAMMABILITY: UL94V-0  
 MATING CYCLES: 500 CYCLES  
 WIRE RANGE: 0.5-2.5 mm<sup>2</sup> (20-14 AWG)  
 CONTACT FINISH: SILVER PLATED  
 CONTACT TYPE: SCREW CONTACT

注释:

1. 技术参数:  
 绝缘材料: PC  
 额定电压: 250V  
 额定电流: 10A  
 绝缘电阻: >=400MΩ  
 额定脉冲电压: 4 KV  
 污染等级: 3  
 阻燃等级: UL94V-0  
 插拔次数: 500 次  
 接线范围: 0.5-2.5 mm<sup>2</sup> (20-14 AWG)  
 端子表面处理: 镀银  
 接线类型: 螺丝连接



THIS DRAWING IS A CONTROLLED DOCUMENT.

DIMENSIONS:	TOLERANCES UNLESS OTHERWISE SPECIFIED:
mm	
	0 PLC ±-
	1 PLC ±-
	2 PLC ±-
	3 PLC ±-
	4 PLC ±-
	ANGLES ±-
MATERIAL	FINISH
-	-
-	-

DWN	DAVID WANG	16DEC2014
CHK	CHRIS WANG	16DEC2014
APVD	XU XIANG	16DEC2014
PRODUCT SPEC	108-137045	
APPLICATION SPEC	114-137045	
WEIGHT	-	
Customer Drawing		

TE Connectivity		NAME		RESTRICTED TO
		HA-003-M		
SIZE	CAGE CODE	DRAWING NO		
A3	00779	©-T2010032101000		
SCALE		SHEET	OF	REV
2:1		1	2	C

printed on 18 Jun 2021 14:53 (China Standard Time) from TE236667

A

A

D

D

C

B

THIS DRAWING IS UNPUBLISHED.

RELEASED FOR PUBLICATION

20

© COPYRIGHT 20 BY -

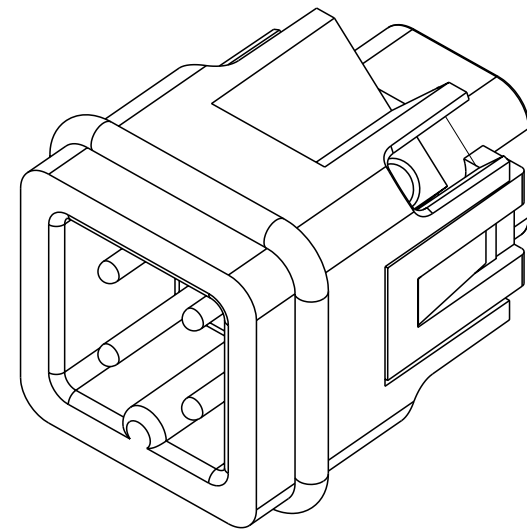
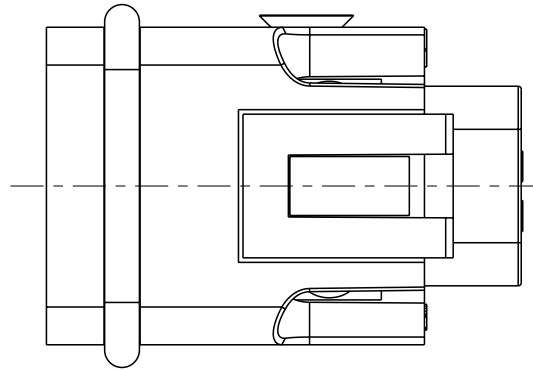
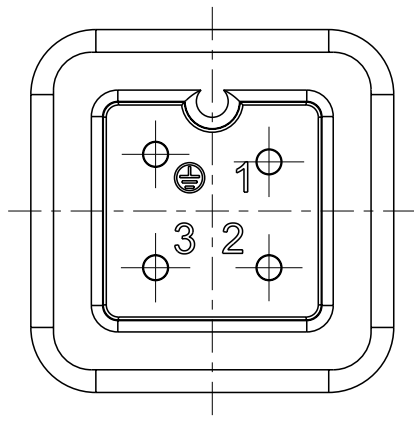
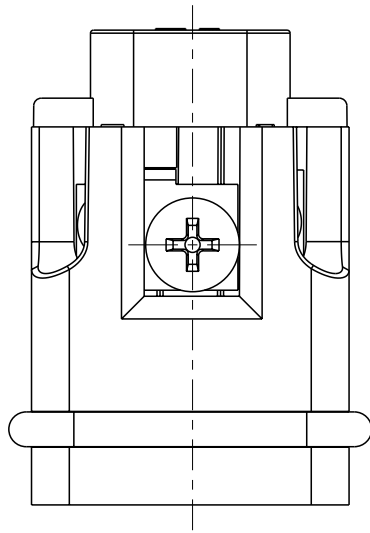
ALL RIGHTS RESERVED.

REVISIONS

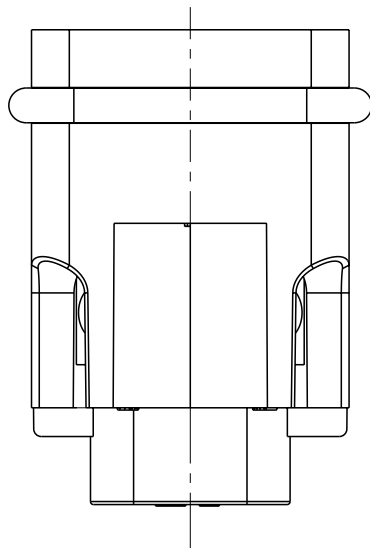
P	LTR	DESCRIPTION	DATE	DWN	APVD
-		SEE SHEET 1	-	-	-

NOTE:  
SEE SHEET 1  
注释:  
见页 1

ALL DIMENSIONS ARE SAME AS TYPE 1,  
EXCEPT THOSE DEFINED IN THIS TYPE.  
除了在本类型中定义的尺寸外,其它尺寸同类型 1



TYPE-2, T2010032101-001, NO LOGO  
类型-2, T2010032101-001, 无 LOGO



T2010032101-001	HA-003-M	HA-003 MALE INSERT, NO LOGO HA-003公插, 无LOGO	TYPE-2 类型-2
T2010032101-000	HA-003-M	HA-003 MALE INSERT HA-003公插	TYPE-1 类型-1
PART NUMBER 料号	PART DESCRIPTION 描述		TYPE 类型

THIS DRAWING IS A CONTROLLED DOCUMENT.		DWN DAVID WANG 16DEC2014														
DIMENSIONS: mm		CHK CHRIS WANG 16DEC2014														
TOLERANCES UNLESS OTHERWISE SPECIFIED:		APVD XU XIANG 16DEC2014														
<table border="1"> <tr><td>0 PLC</td><td>±-</td></tr> <tr><td>1 PLC</td><td>±-</td></tr> <tr><td>2 PLC</td><td>±-</td></tr> <tr><td>3 PLC</td><td>±-</td></tr> <tr><td>4 PLC</td><td>±-</td></tr> <tr><td>ANGLES</td><td>±-</td></tr> </table>		0 PLC	±-	1 PLC	±-	2 PLC	±-	3 PLC	±-	4 PLC	±-	ANGLES	±-	PRODUCT SPEC 108-137045	NAME HA-003-M	
0 PLC	±-															
1 PLC	±-															
2 PLC	±-															
3 PLC	±-															
4 PLC	±-															
ANGLES	±-															
MATERIAL -		APPLICATION SPEC 114-137045	SIZE A3	CAGE CODE 00779	DRAWING NO T2010032101000	RESTRICTED TO -										
FINISH -		WEIGHT -	Customer Drawing		SCALE 2:1	SHEET 2 OF 2	REV C									

printed on 18 Jun 2021 14:53 (China Standard Time) from TE236667

A

A

D

D

C

B

单击下面可查看定价，库存，交付和生命周期等信息

[>>TE Connectivity\(泰科\)](#)