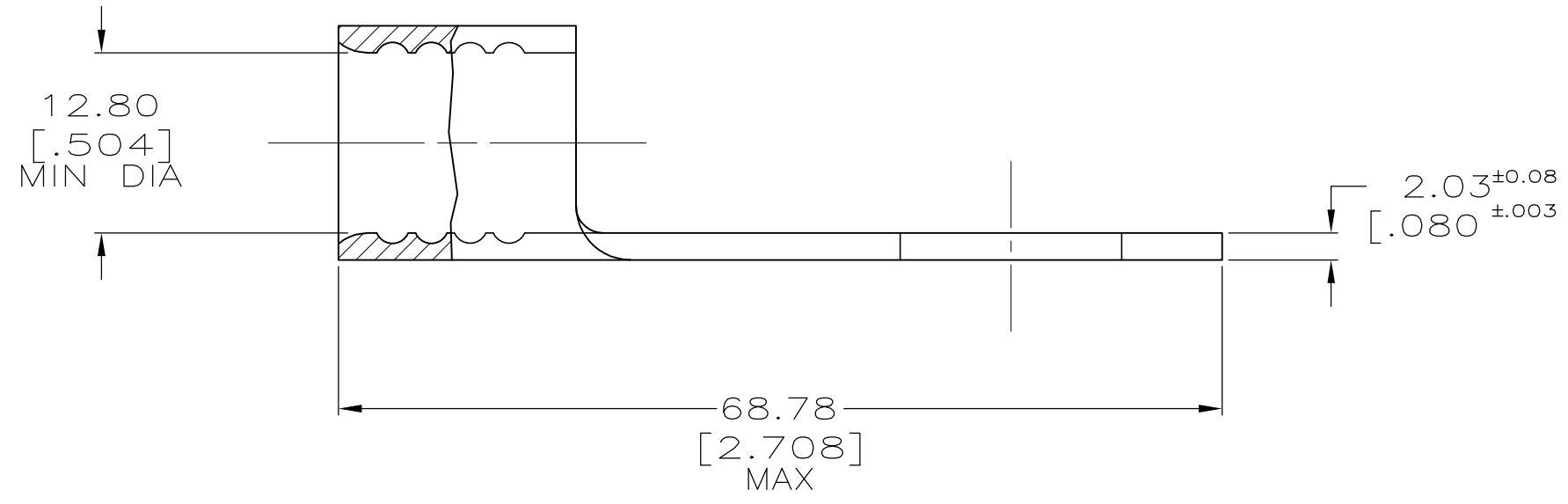
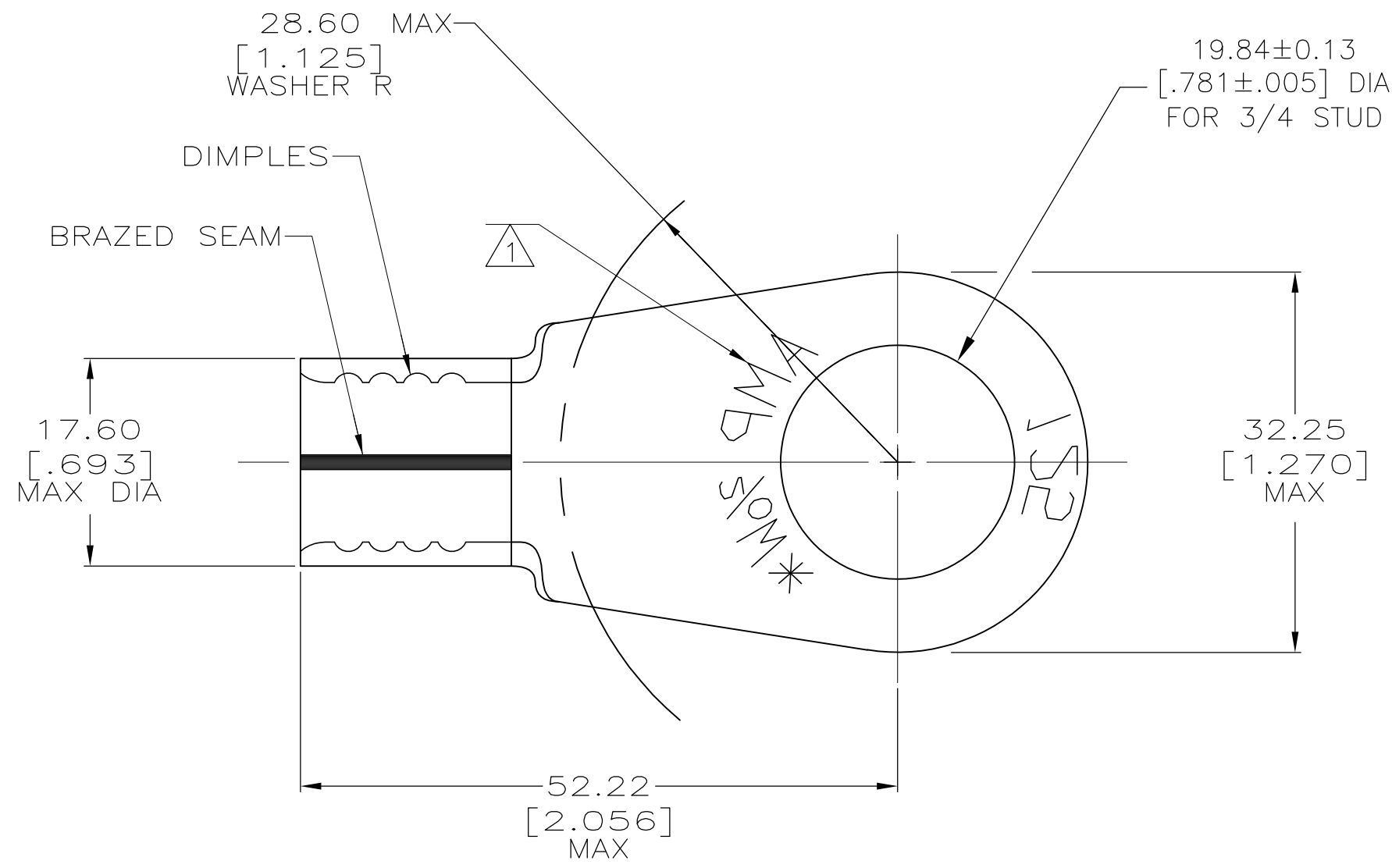


THIS DRAWING IS UNPUBLISHED. RELEASED FOR PUBLICATION  
 © COPYRIGHT BY TYCO ELECTRONICS CORPORATION. ALL INTERNATIONAL RIGHTS RESERVED.

LOC	DIST	REVISIONS			
P	LTR	DESCRIPTION	DATE	DWN	APVD
G	14	E	REV PER ECR 10-000722	25JAN10	JR TM



<b>AMP</b> WIRE RANGE	E13288 Listed	LR7189 Certified
2/0 AWG SOLID OR STRANDED	2/0 AWG STRANDED	2/0 AWG SOLID OR STRANDED

- 1 STAMP AMP 2/OW\* 125, APPROX AS SHOWN
- 2 COPPER PER ASTM B-152, ANNEALED
- 3 TIN PLATE 0.00254 [.000100] MIN THK EXT. PER ASTM B-545
- 4 MAX RECOMMENDED OPERATING TEMP IS 170°C.
- 5 WIRE CROSS SECTIONAL AREA RANGE: 60.6-76.3mm [119,500-150,500] CMA SOLID OR STRANDED.

50	LOOSE PIECE	322225
QTY	PACKAGING TYPE	PART NO.

THIS DRAWING IS A CONTROLLED DOCUMENT.		DWN DK SCHRUM 8/4/93	Tyco Electronics Corporation Harrisburg, PA 17105-3608	
DIMENSIONS: MM [ INCHES ]		CHK AJ KAUFMAN 8/5/93	NAME	
TOLERANCES UNLESS OTHERWISE SPECIFIED:		APVD JL MECKLEY 8/5/93	TERMINAL, RING TONGUE, SOLISTRAND	
0 PLC ± -		PRODUCT SPEC	SIZE	RESTRICTED TO
1 PLC ± -		APPLICATION SPEC	CAGE CODE	
2 PLC ± 0.20[.008]			DRAWING NO	
3 PLC ± -			A2 00779	
4 PLC ± -			C=322225	
ANGLES ± -		WEIGHT	SCALE	SHEET
FINISH			2:1	1 of 1
MATERIAL		CUSTOMER DRAWING	REV	E
- 2				
- 3				

单击下面可查看定价，库存，交付和生命周期等信息

[>>TE Connectivity\(泰科\)](#)