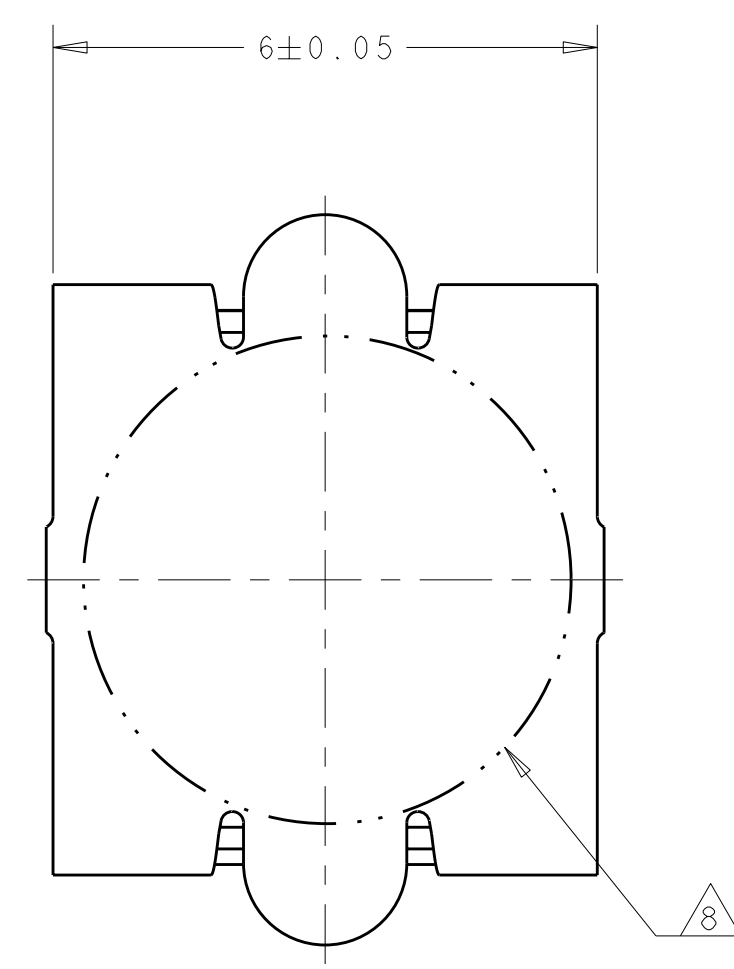
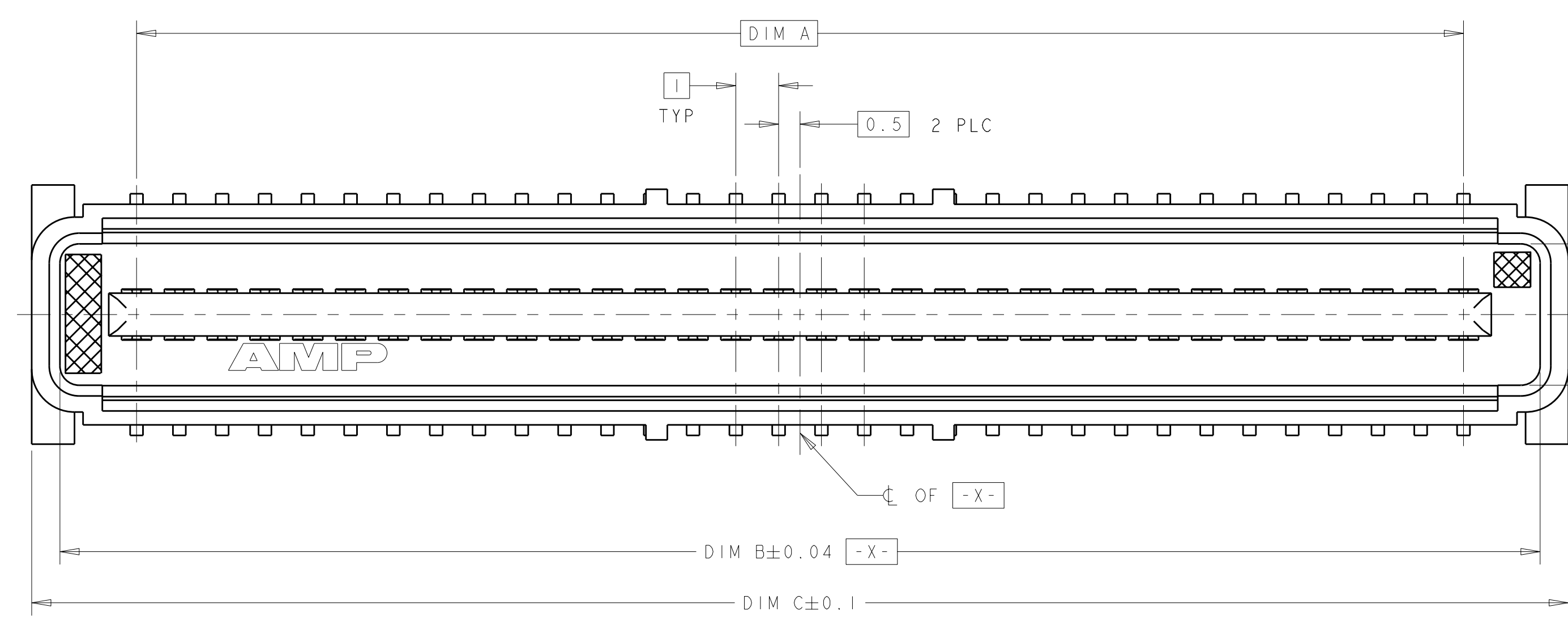
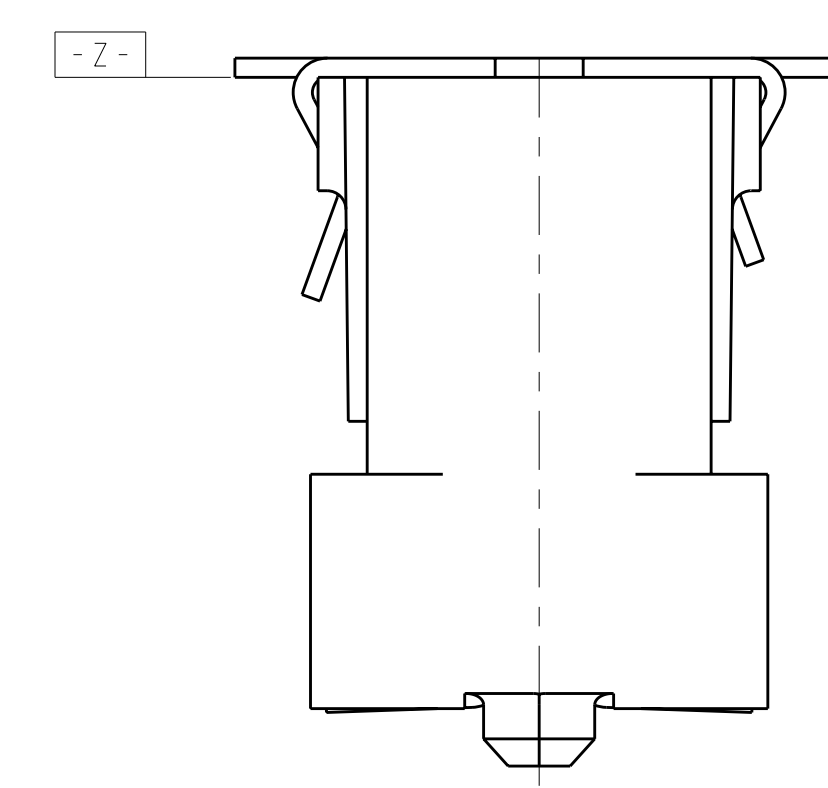
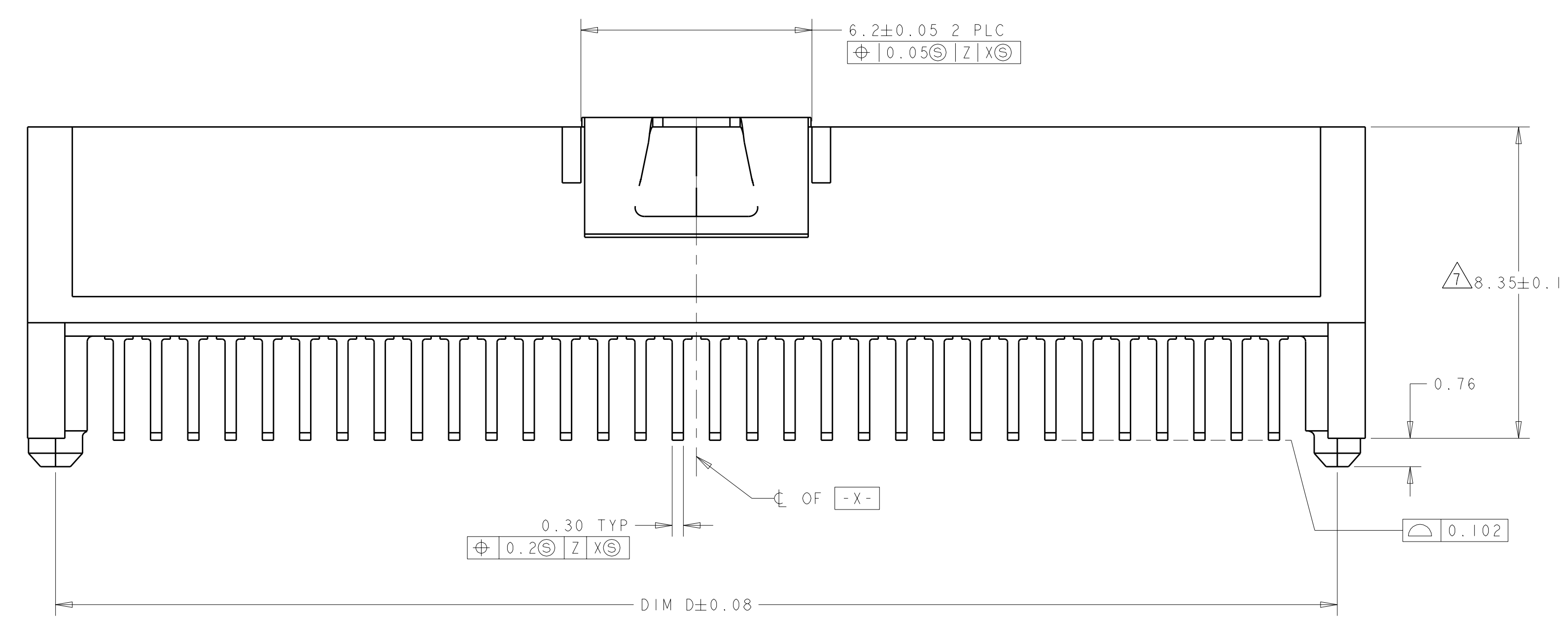


LOC	DIST	REV	DATE	BY	CHK	APPD
AD	00	B2	11MAR2011	RK	HMR	

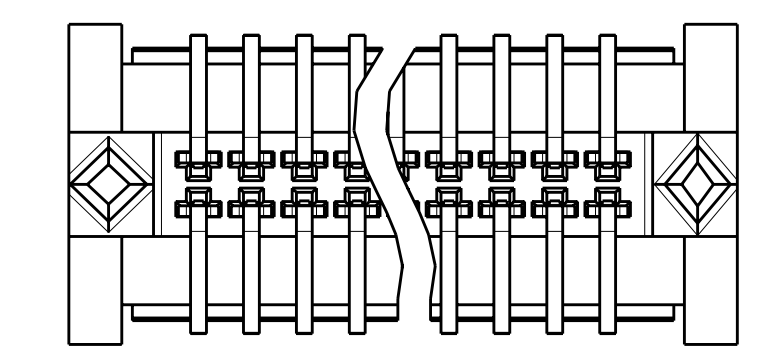


VACUUM COVER

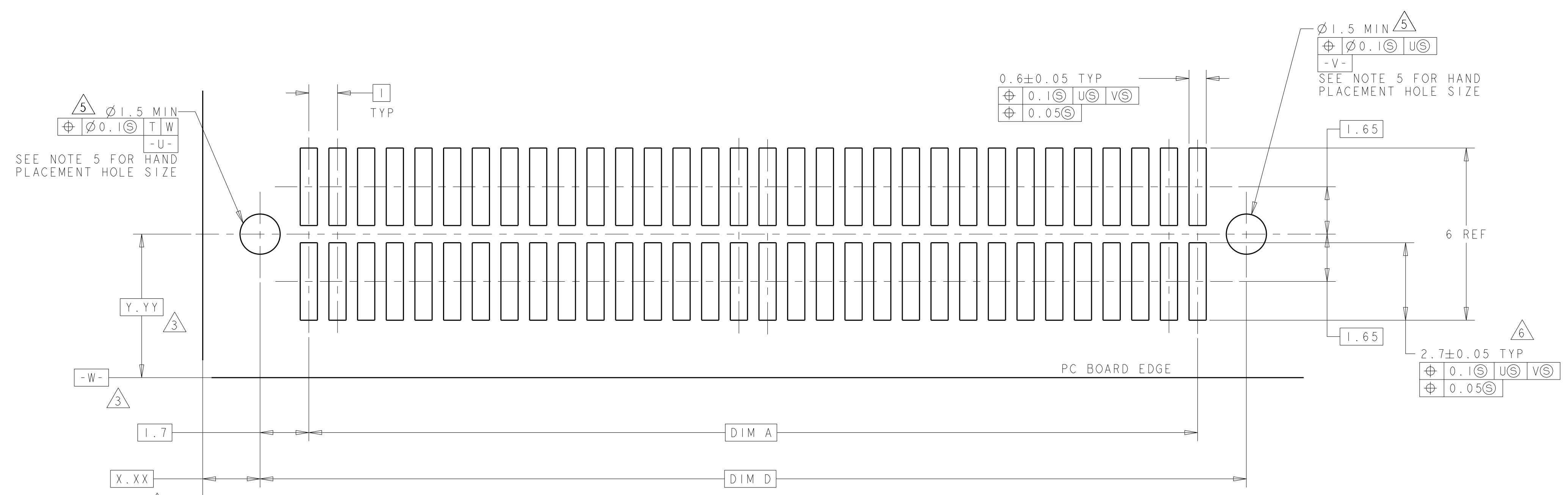
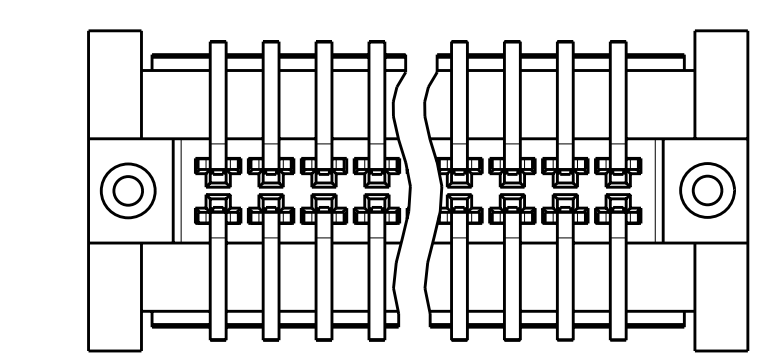
- 1 HOUSING MATERIAL: LIQUID CRYSTAL POLYMER COLOR: BLACK. CONTACT MATERIAL: PHOSPHOR BRONZE.
- 2 CONTACT FINISH: NICKEL UNDERPLATE ALL OVER. MATING SURFACES PLATED TO MEET PLI PERFORMANCE REQUIREMENTS OF INDUSTRY SPECIFICATION EIA-700AAAB, SOLDER TAILS PLATED TIN.
- 3 DATUM LOCATIONS AND BASIC DIMENSIONS TO BE ESTABLISHED BY THE CUSTOMER. CONSULT AMP ENGINEERING WHEN PLACING MULTIPLE CONNECTORS ON A PC BOARD.
- 4 PACKAGED IN TAPE ON REELS PER EIA-841.
- 5 1.4±0.05 DIAMETER HOLE WHEN PLACING BY HAND.
- 6 SHORTER SOLDER LANDS MAY BE USED PER EIA 700AAAB, HOWEVER 2.7 LENGTH ASSURES OPTIMUM SOLDER FILLET.
- 7 REFERRED TO AS DIM N IN EIA 700AAAB SPECIFICATION.
- 8 VACUUM COVER NOT SHOWN IN SOME VIEWS FOR CLARITY.
- 9 5.5 MIN DIAMETER TARGET AREA FOR VACUUM PIP-UP.
- 10 CONTACT FINISH: 0.00381 MINIMUM MATTE TIN PER ASTM B 545 ON SOLDER AREA; 0.00127 MINIMUM GOLD PER ASTM B 488 ON MATING AREA BOTH OVER 0.00127 MINIMUM NICKEL PER SAE-AMS-QQ-N-290 ON ENTIRE CONTACT.
- 11 SQUARE AND DIAMOND SHAPED POSTS
- 12 ROUND SHAPED POSTS



STYLE A POSTS



STYLE B POSTS



RECOMMENDED PC BOARD LAYOUT

POST STYLE	FINISH	DIM D	DIM C	DIM B	DIM A	STACK HEIGHTS	POS	PART NUMBER
12	9	44.4	45.9	44.58	41	10, 12, 13, 15	84	3-5146888-2
12	9	34.4	35.9	34.58	31	10, 12, 13, 15	64	3-5146888-1
12	2	44.4	45.9	44.58	41	10, 12, 13, 15	84	2-5146888-2
12	2	34.4	35.9	34.58	31	10, 12, 13, 15	64	2-5146888-1
11	9	44.4	45.9	44.58	41	10, 12, 13, 15	84	1-5146888-2
11	2	34.4	35.9	34.58	31	10, 12, 13, 15	64	1-5146888-1
11	2	44.4	45.9	44.58	41	10, 12, 13, 15	84	5146888-2
11	2	34.4	35.9	34.58	31	10, 12, 13, 15	64	5146888-1

THIS DRAWING IS A CONTROLLED DOCUMENT.

OWN: B. CARBO 30SEP04  
 CHK: R. WERTZ 30SEP04  
 APPD: R. WERTZ 30SEP04

TE Connectivity

PRODUCT SPEC: 502-1079  
 APPLICATION SPEC: 114-25045

NAME: PLUG ASSEMBLY, W/VACUUM COVER, 1.0mm FH(IEEE 1386) CONNECTOR

SIZE: 114-25045  
 WEIGHT: -  
 CUSTOMER DRAWING

SCALE: 10:1 SHEET 1 OF 1 REV: B2

单击下面可查看定价，库存，交付和生命周期等信息

[>>TE Connectivity\(泰科\)](#)