

Figure 1

| KIT | | WIRE TYPE |
|-------------|-----------------|-----------|
| PART NUMBER | DESCRIPTION | |
| 1546907-1 | Shielded Plug | Solid |
| 1546876-1 | Unshielded Plug | |
| 1546907-2 | Shielded Plug | Stranded |
| 1546876-2 | Unshielded Plug | |

1. INTRODUCTION

Each kit consists of the components shown in Figure 1. The modular plug of the shielded kit has a metal outer shell; the unshielded is plastic. The plug mates with a corresponding receptacle.

i NOTE
Refer to instruction sheets 408-8949 and 408-10091 for shielded receptacle assembly procedures and 408-8950 and 408-10137 for unshielded receptacle assembly procedures.

i NOTE
Dimensions in this instruction sheet are in metric units [with U.S. customary units in brackets]. Figures are not drawn to scale.

2. ASSEMBLY

- Slide the sealing nut, wire entry seal, and plug assembly onto the cable. Make sure to orient the components as shown in Figure 2, Detail A.
- Terminate the modular plug according to application specification 114-13137.
- Align the locking tab of the modular plug with the latch defeat slot of the plug assembly. See Figure 2, Detail B. Depress the locking tab, and insert the modular plug into the plug assembly. Push the plug until it is fully seated. There should be approximately

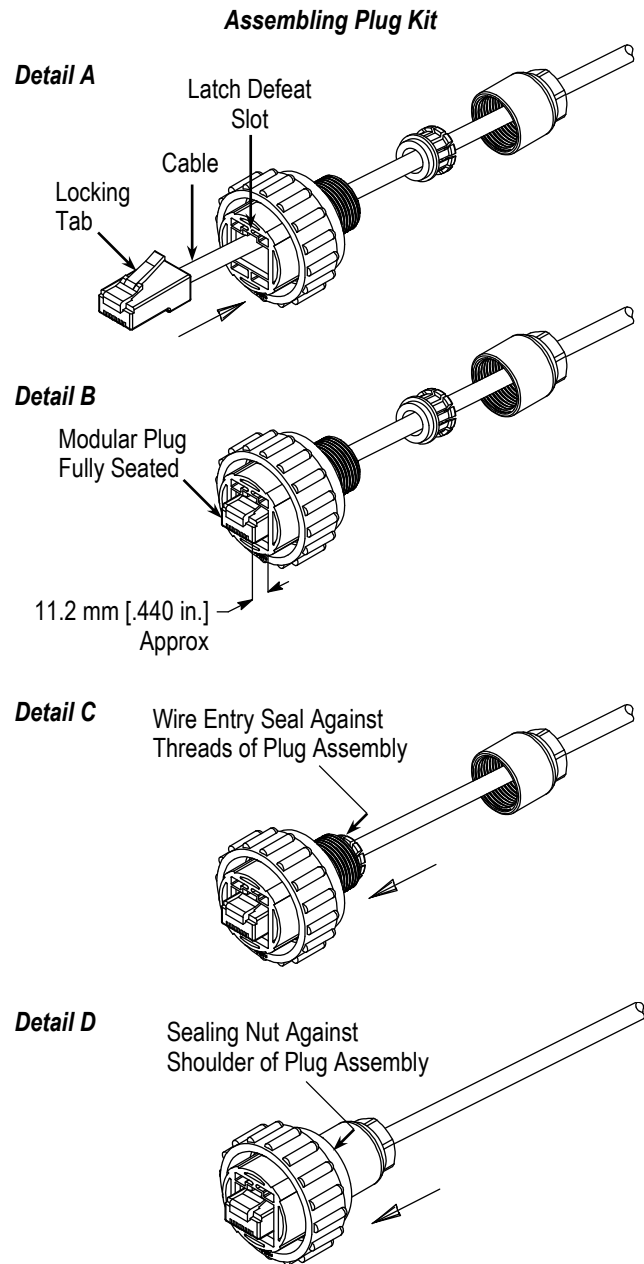


Figure 2

11.2 mm [.440 in.] of the modular plug protruding from the mating face of the plug assembly.



CAUTION

To avoid damage to the connection, the cable must be pulled gently when seating the modular plug.

- Slide the wire entry seal against the threads of the plug assembly. See Figure 2, Detail C.

5. While holding the modular plug in position, thread the sealing nut onto the plug assembly until tightened to a torque of 1.0 N-m [8.85 in.-lb]. Make sure that the sealing nut is flush against the shoulder of the plug assembly. See Figure 2, Detail D.
6. Align the locking tab of the modular plug with the small slot of the SL 110 jack (component of receptacle), and slide the keys of the coupling ring into the detents in the threads of the receptacle assembly, then insert the modular plug into the SL 110 jack. See Figure 3.
7. Rotate the coupling ring of the plug assembly until it stops.

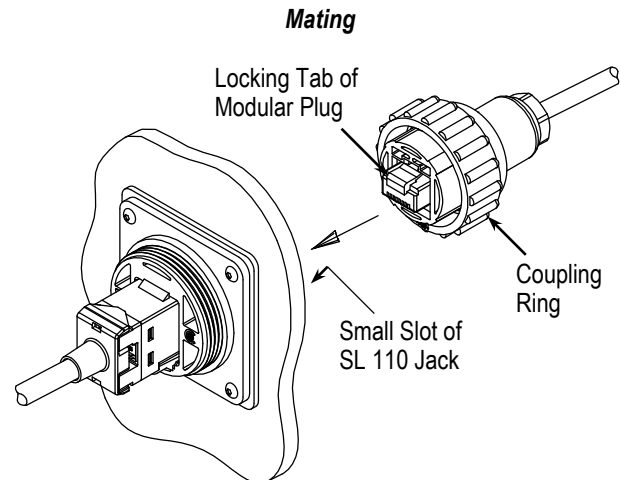


Figure 3

3. REPLACEMENT AND REPAIR

Components of the plug kits are not repairable. Do not use defective or damaged components.

Do not re-use the modular plug by removing the cable. Do not re-use the plug assembly by removing the sealing nut.

4. REVISION SUMMARY

Revisions to this instruction sheet include:

- Modified plug assembly and wire entry seal
- Changed torque value in step 5 of Section 2

单击下面可查看定价，库存，交付和生命周期等信息

[>>TE Connectivity\(泰科\)](#)