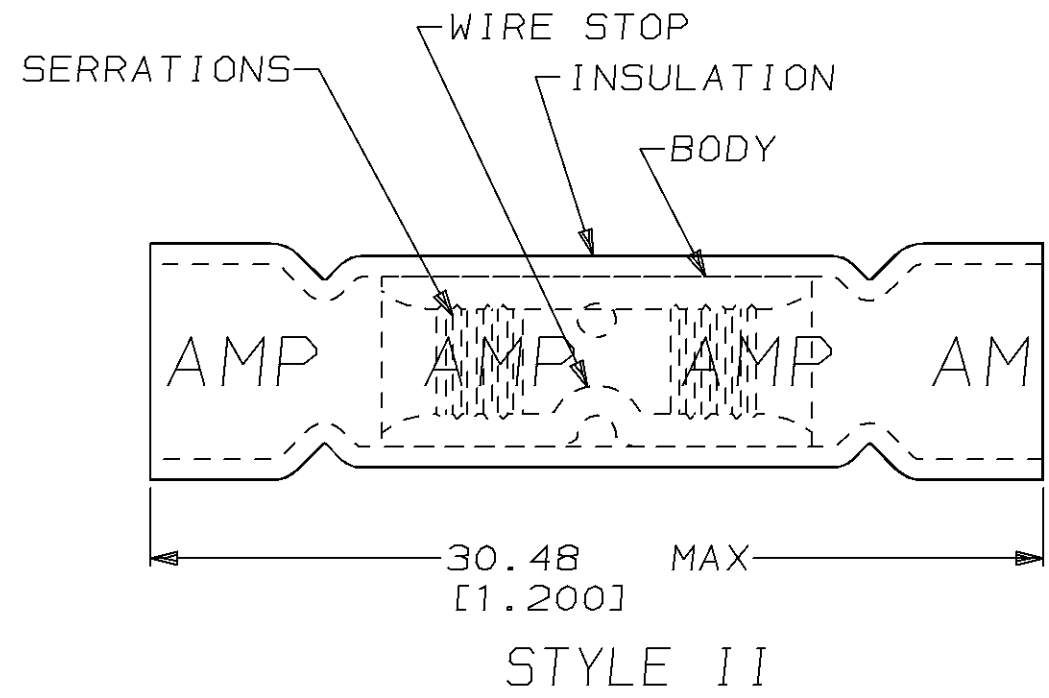
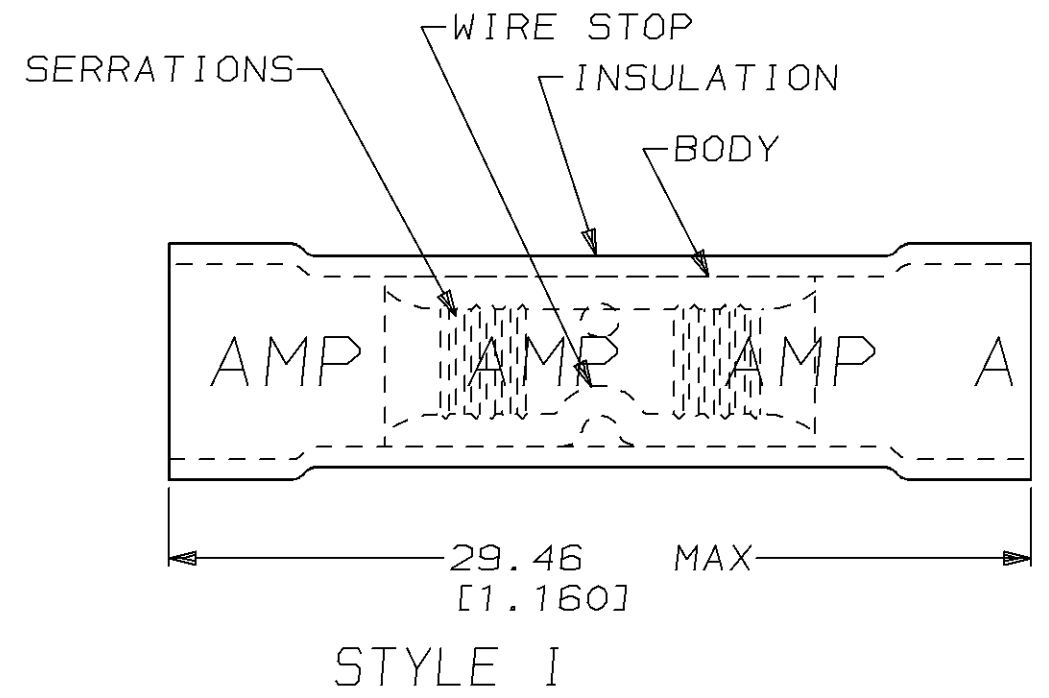


THIS DRAWING IS UNPUBLISHED. RELEASED FOR PUBLICATION ,19 .
 © COPYRIGHT 19 BY AMP INCORPORATED. ALL RIGHTS RESERVED.

LOC	DIST	REVISIONS			
P	LTR	DESCRIPTION	DATE	DWN	APVD
G	14	K	REV / 0720-0584-95	11APR95	MLE SB

AMP WIRE RANGE	E13288	LR7189 Certified
12-10 AWG SOLID OR STRANDED	12-10 AWG SOLID OR STRANDED	12-10 AWG SOLID OR STRANDED



1. WIRE INSUL DIA,
3.81-6.35 [0.150-.250]

STYLE	QTY	PACKAGE TYPE	PART NO
I	50	LOOSE PIECE, BOX	8-34945-2
II	2000	ON TAPE, REEL	2-34945-2
II	500	LOOSE PIECE	2-34945-1
I	500	LOOSE PIECE	34945

AMP INCORPORATED CUSTOMER SERVICE SYSTEM		MAX RECOMMENDED OPERATING TEMPERATURE: 90°C [194°F]	THIS DRAWING IS A CONTROLLED DOCUMENT FOR AMP INCORPORATED. IT IS SUBJECT TO CHANGE AND THE CONTROLLING ENGINEERING ORGANIZATION SHOULD BE CONTACTED FOR THE LATEST REVISION.		DWN M ELLIS 03APR95	AMP AMP Incorporated Harrisburg, PA 17105-3608		
FOR ADDITIONAL PRODUCT INFORMATION OR COPIES OF DRAWINGS AND TECHNICAL DOCUMENTS	PRODUCT INFORMATION CENTER 1-800-522-6752		VOLTAGE RATING: 600V MAX 1000V (FIXTURES OR SIGNS)	DIMENSIONS: mm [in]	TOLERANCES UNLESS OTHERWISE SPECIFIED:		CHK C PRESNELL 03APR95	
FOR APPLICATION TOOLING INFORMATION	TOOLING ASSISTANCE CENTER 1-800-722-1111	CIRCULAR MIL AREA: 2.62mm ² -6.64mm ² [5180-13100]		0 PLC ±-	1 PLC ±-	NAME S BORTNER 03APR95 SPLICE, BUTT, PLASTI-GRIP™, WIRE SIZE, 12-10 AWG		
FOR ORDER ENTRY	1-800-526-5142	MATERIAL BODY, CU ASTM B 152 PVC, COLOR, YELLOW		2 PLC ±-	3 PLC ±-	4 PLC ±-	FINISH TIN PLATE PER MIL-T-10727	
			MATERIAL BODY, CU ASTM B 152 PVC, COLOR, YELLOW		FINISH TIN PLATE PER MIL-T-10727	SIZE A3	CAGE CODE 00779	DRAWING NO C-34945
CUSTOMER DRAWING					WEIGHT -	SCALE 4:1	SHEET 1 OF 1	REV K

单击下面可查看定价，库存，交付和生命周期等信息

[>>TE Connectivity\(泰科\)](#)