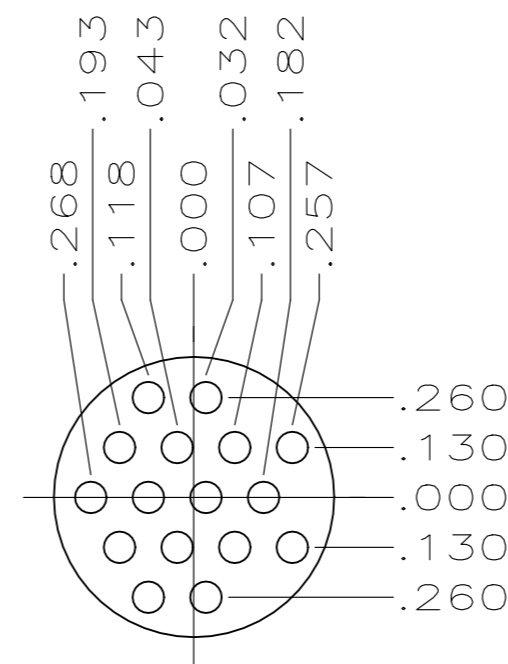
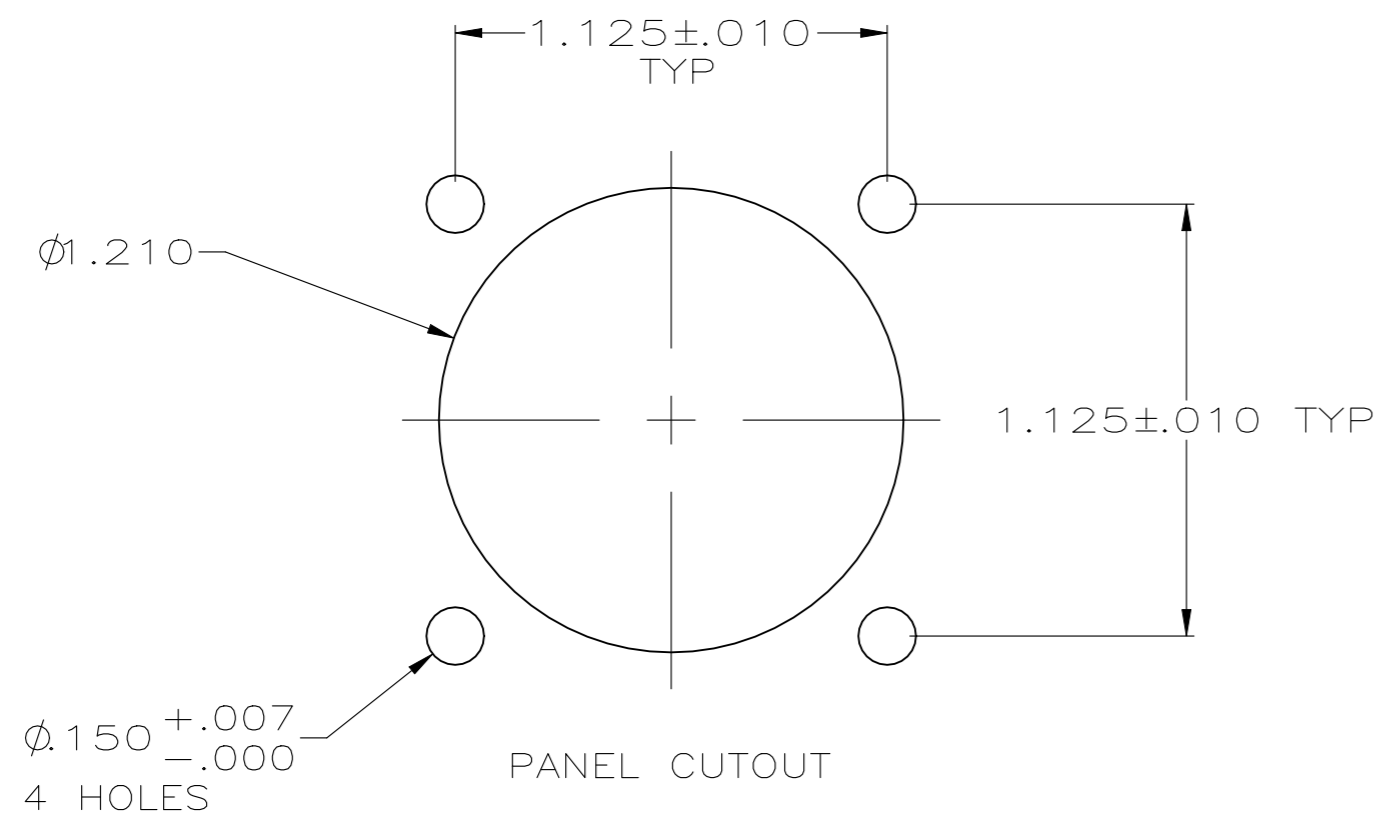
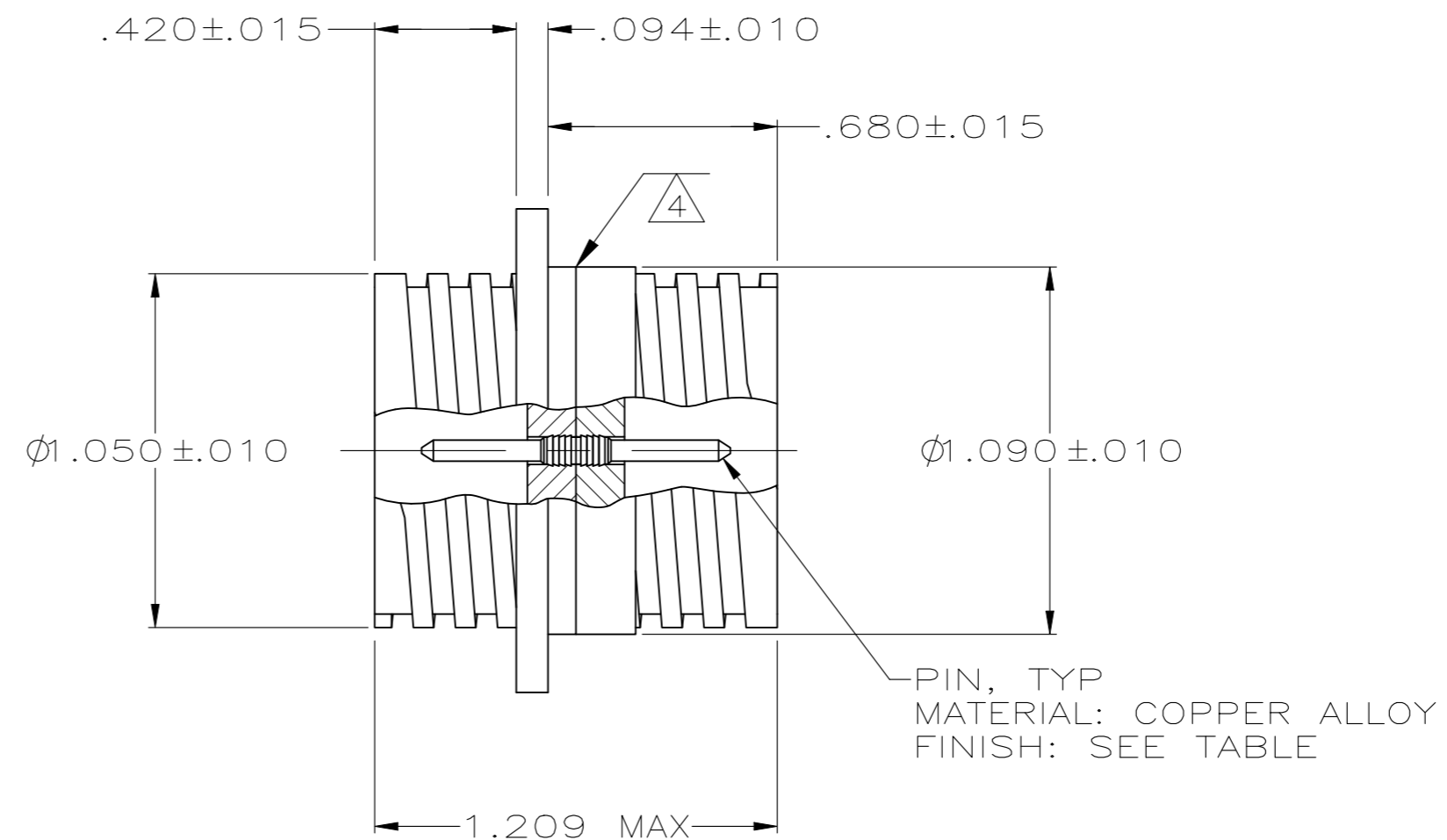
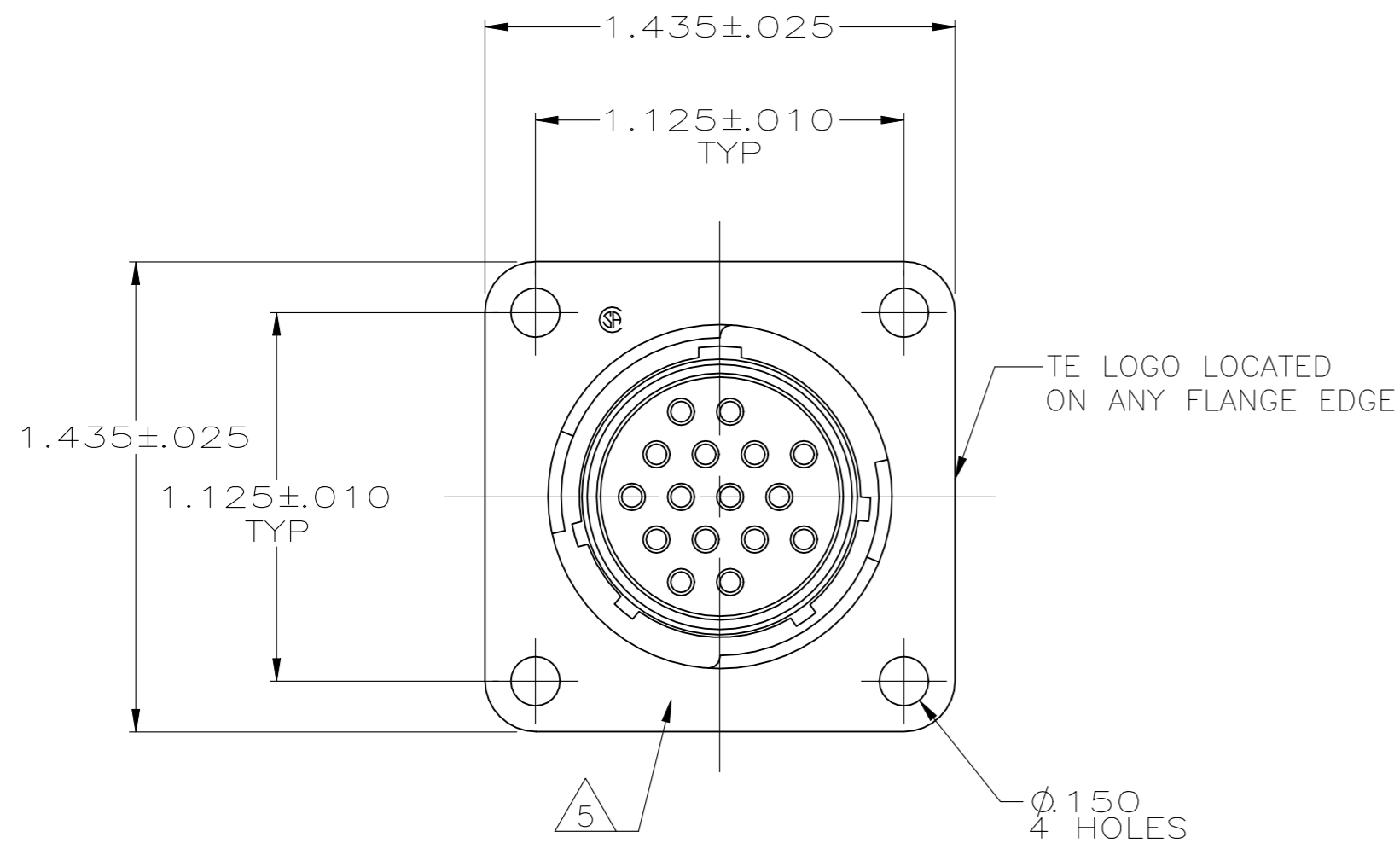


REVISIONS					
P	LTR	DESCRIPTION	DATE	DWN	APVD
H		REVISED PER ECO-21-006948	27OCT2021	RK	MZ



NOTES:

- 1 GOLD OVER NICKEL PLATED
- 2 TIN PLATED.
- 3. CONNECTORS ARE FULLY LOADED WITH 16 SIZE 16 PIN CONTACTS PERMANENTLY INSTALLED.
- 4 .012 MAXIMUM GAP PERMISSIBLE BETWEEN CONNECTOR HALVES.
- 5 PART NUMBER LOCATED ANYWHERE ON THIS SURFACE

OBSOLETE	2	206552-2
	1	206552-1
CONTACT FINISH		PART NUMBER

THIS DRAWING IS A CONTROLLED DOCUMENT.		DWN	J GALLUCCI BG	5-22-91																		
DIMENSIONS: INCHES		CHK	W.G.LENKER	4-13-92																		
TOLERANCES UNLESS OTHERWISE SPECIFIED:		APVD	-	-																		
<table border="0"> <tr><td>0 PLC</td><td>±</td><td>-</td></tr> <tr><td>1 PLC</td><td>±</td><td>-</td></tr> <tr><td>2 PLC</td><td>±</td><td>-</td></tr> <tr><td>3 PLC</td><td>±</td><td>.005</td></tr> <tr><td>4 PLC</td><td>±</td><td>-</td></tr> <tr><td>ANGLES</td><td>±</td><td>-</td></tr> </table>		0 PLC	±	-	1 PLC	±	-	2 PLC	±	-	3 PLC	±	.005	4 PLC	±	-	ANGLES	±	-	PRODUCT SPEC	108-10024	NAME
0 PLC	±	-																				
1 PLC	±	-																				
2 PLC	±	-																				
3 PLC	±	.005																				
4 PLC	±	-																				
ANGLES	±	-																				
MATERIAL RCPT: THERMOPLASTIC		FINISH	SEE TABLE	APPLICATION SPEC																		
		WEIGHT	-	SIZE																		
		CUSTOMER DRAWING	A2	CAGE CODE																		
		SCALE	2:1	DRAWING NO																		
		SHEET	1 of 1	RESTRICTED TO																		
		REV	H																			



RECEPTACLE ASSEMBLY, FEED THRU, SERIES 1, 17-16, CPC

A2 00779 C=206552

单击下面可查看定价，库存，交付和生命周期等信息

[>>TE Connectivity\(泰科\)](#)