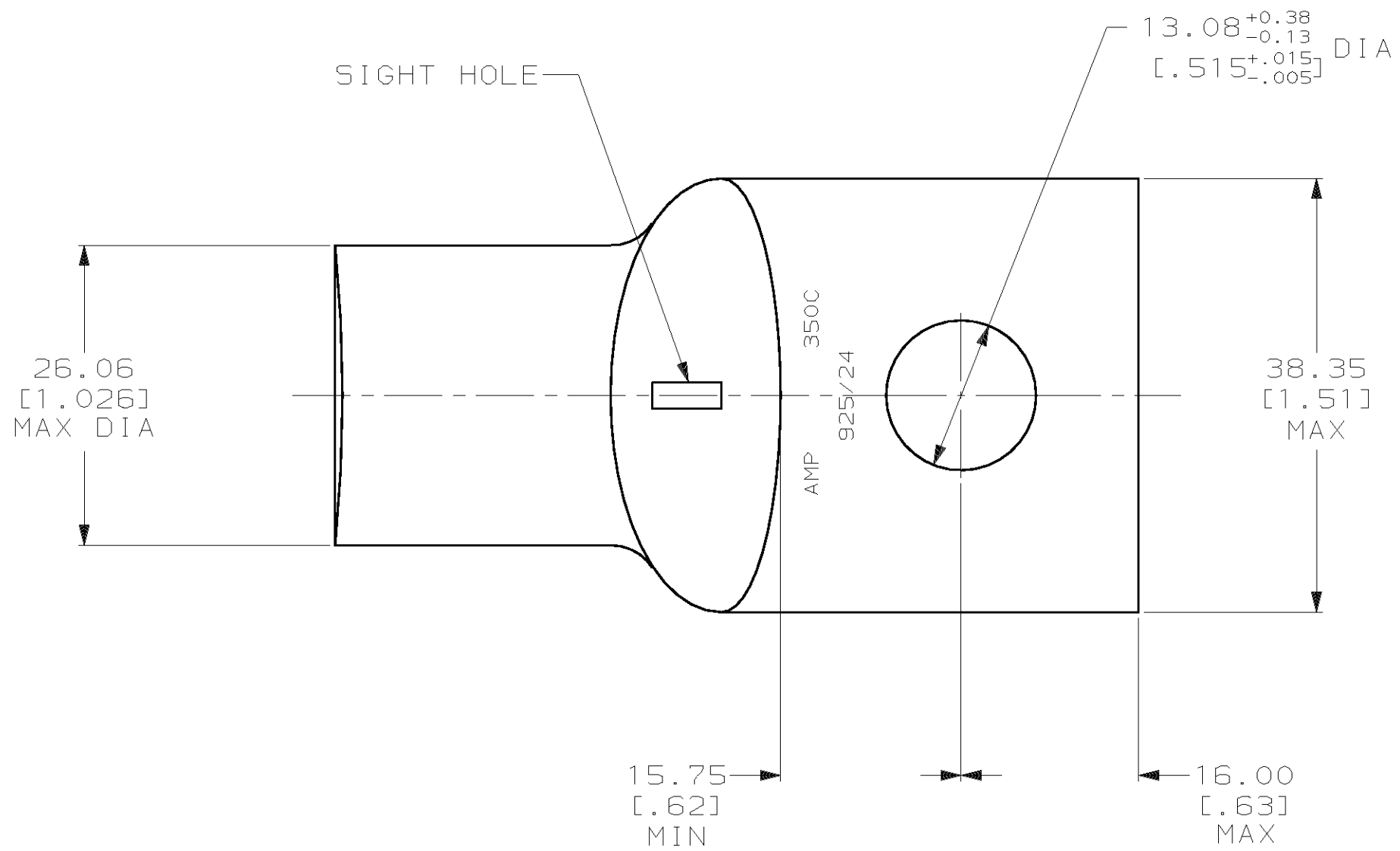
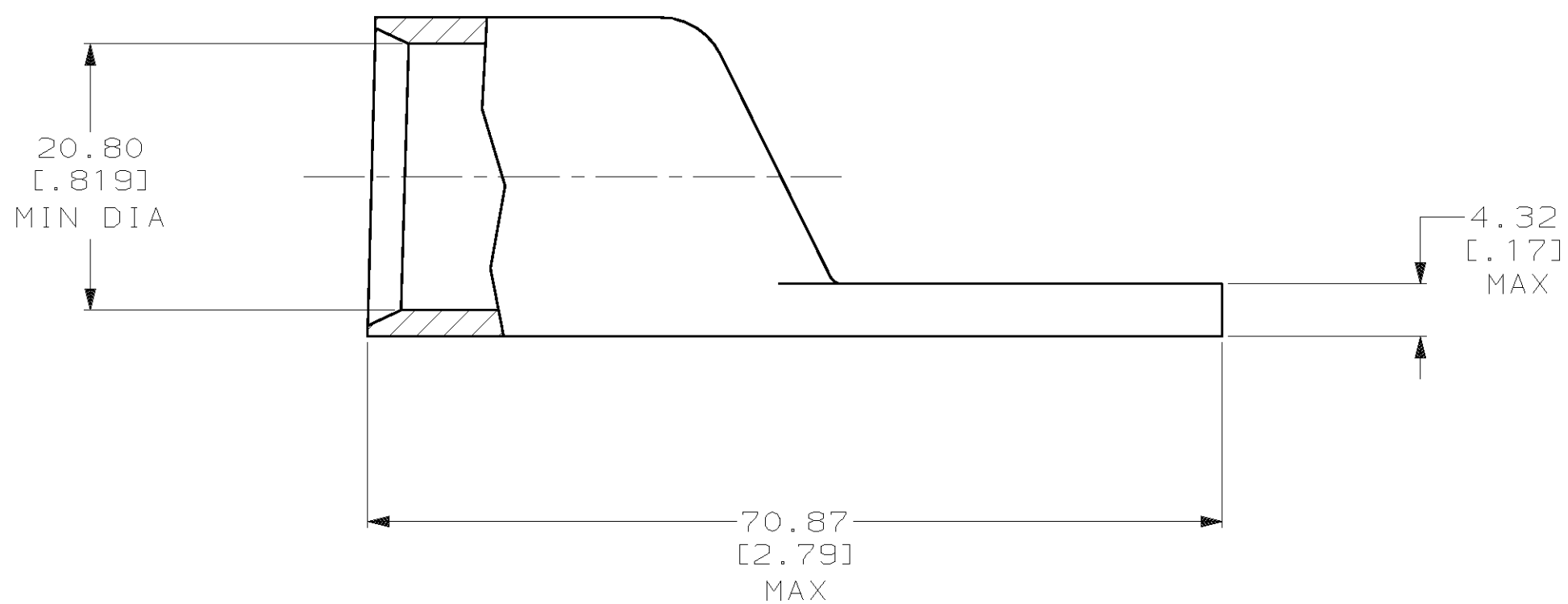


THIS DRAWING IS UNPUBLISHED. RELEASED FOR PUBLICATION .19 .  
 © COPYRIGHT 19 BY AMP INCORPORATED. ALL INTERNATIONAL RIGHTS RESERVED.

LOC		DIST		REVISIONS				DATE	APPD
ZONE	LTR	DESCRIPTION	DATE	APPD					
G	86	P	F	L	REV PER 0G3A-0561-01	080CT02	JR		



1 CIRCULAR MIL AREA RANGE: 325-375 MCM  
 2 TIN PL 0.00381 [0.000150] MIN THK PER MIL-T-10727



DO NOT SCALE PRINT. UNLESS SPECIFIED DIMENSIONS IN mm [INCHES] TOLERANCES ON : 2 PLC DEC ± 0.51 [0.020] 3 PLC DEC ± - ANGLES ± -		DR 02/28/90 DK SCHRUM		325905	
MATERIAL ANNEALED COPPER ASTM B-75		CHK 23JAN95 MS FEHER		PART NO	
FINISH		APPD 23JAN95 WJ VOCKROTH		AMP AMP INCORPORATED Harrisburg, Pa. 17105	
ANNEALED COPPER ASTM B-75		APPD 23JAN95 TL SHUTTER		NAME	
TERMINAL, AMPPOWER™ WIRE SIZE: 350MCM		PRODUCT SPEC 108-30200		DRAWING NO 325905	
APPLICATION SPEC -		WEIGHT .188 LB		SCALE 2:1	
FINISH		CAGE CODE 00779		SHEET 1 OF 1	
CAGE CODE		DRAWING NO		CUSTOMER DRAWING	

单击下面可查看定价，库存，交付和生命周期等信息

[>>TE Connectivity\(泰科\)](#)