

4

3

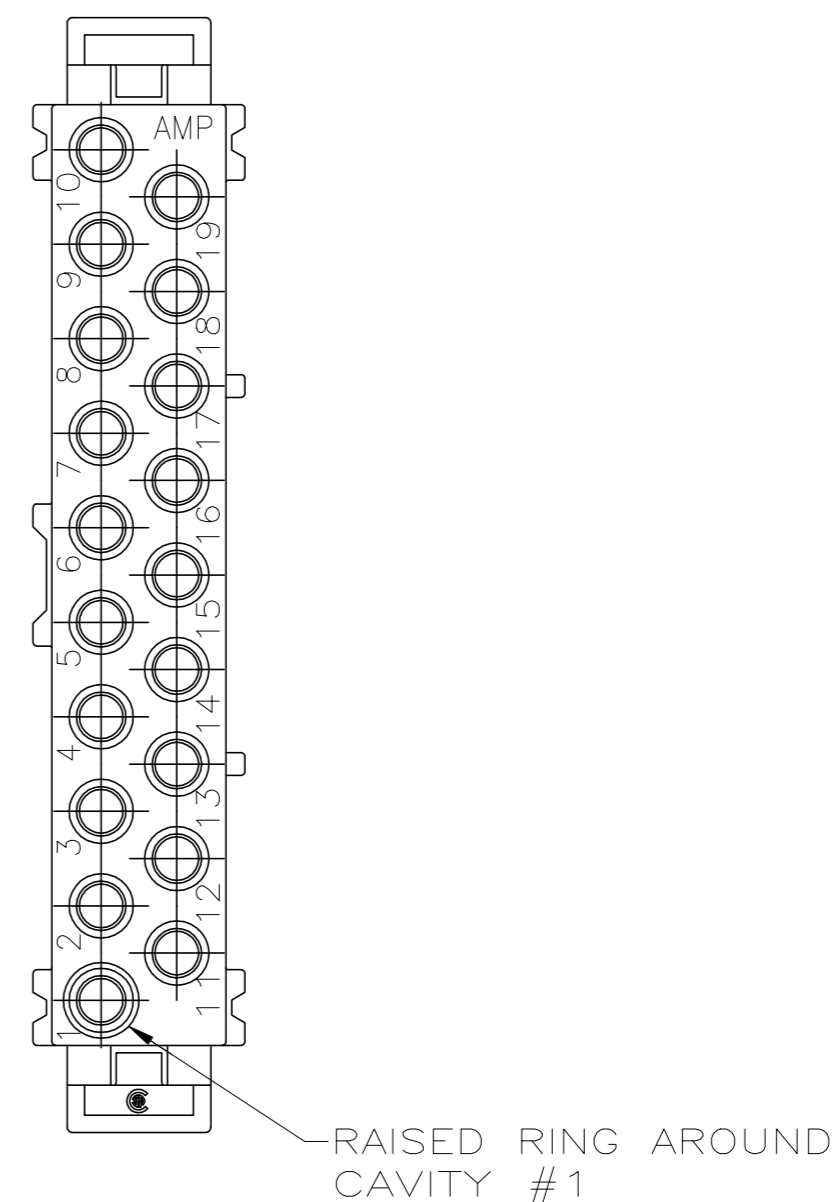
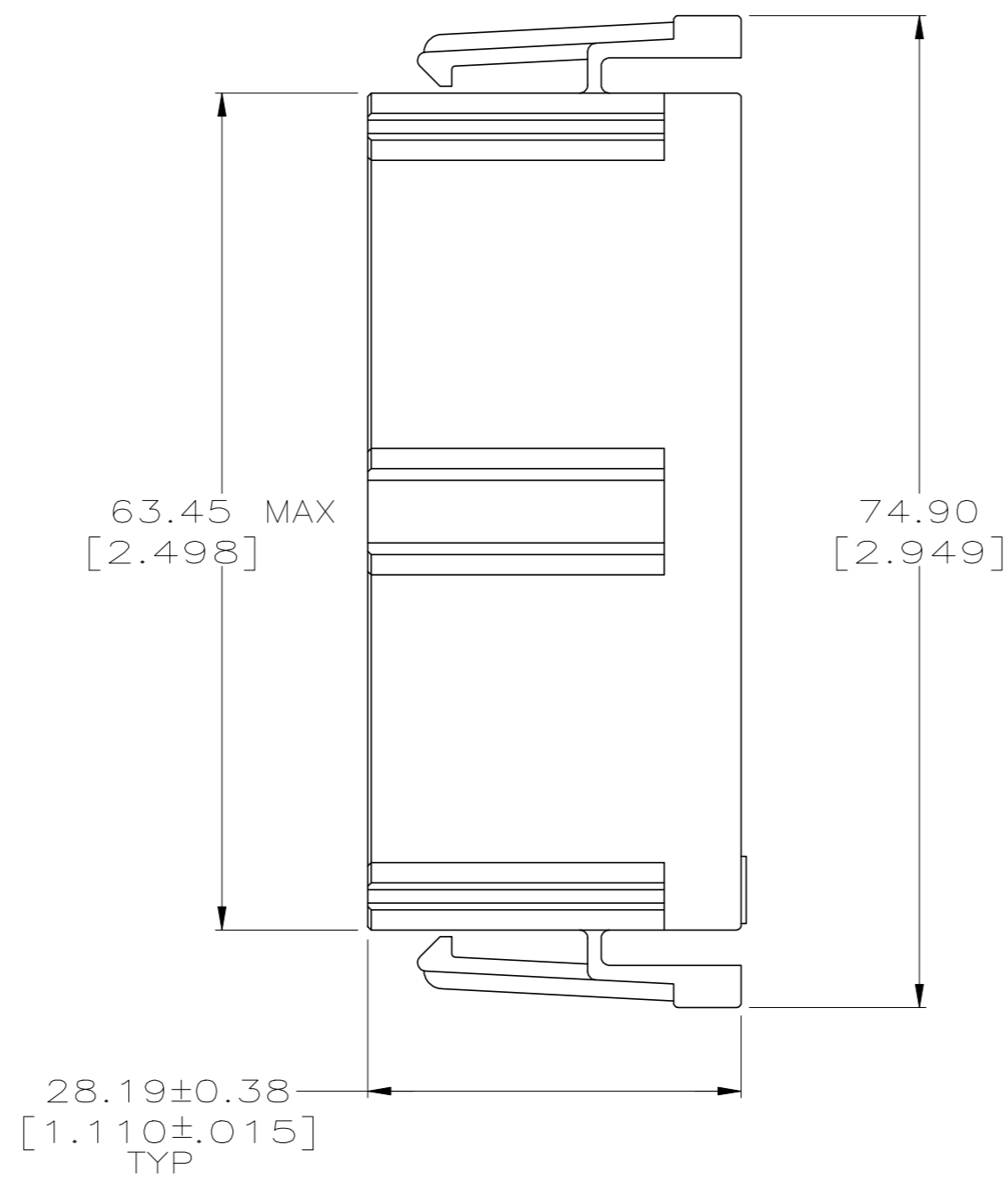
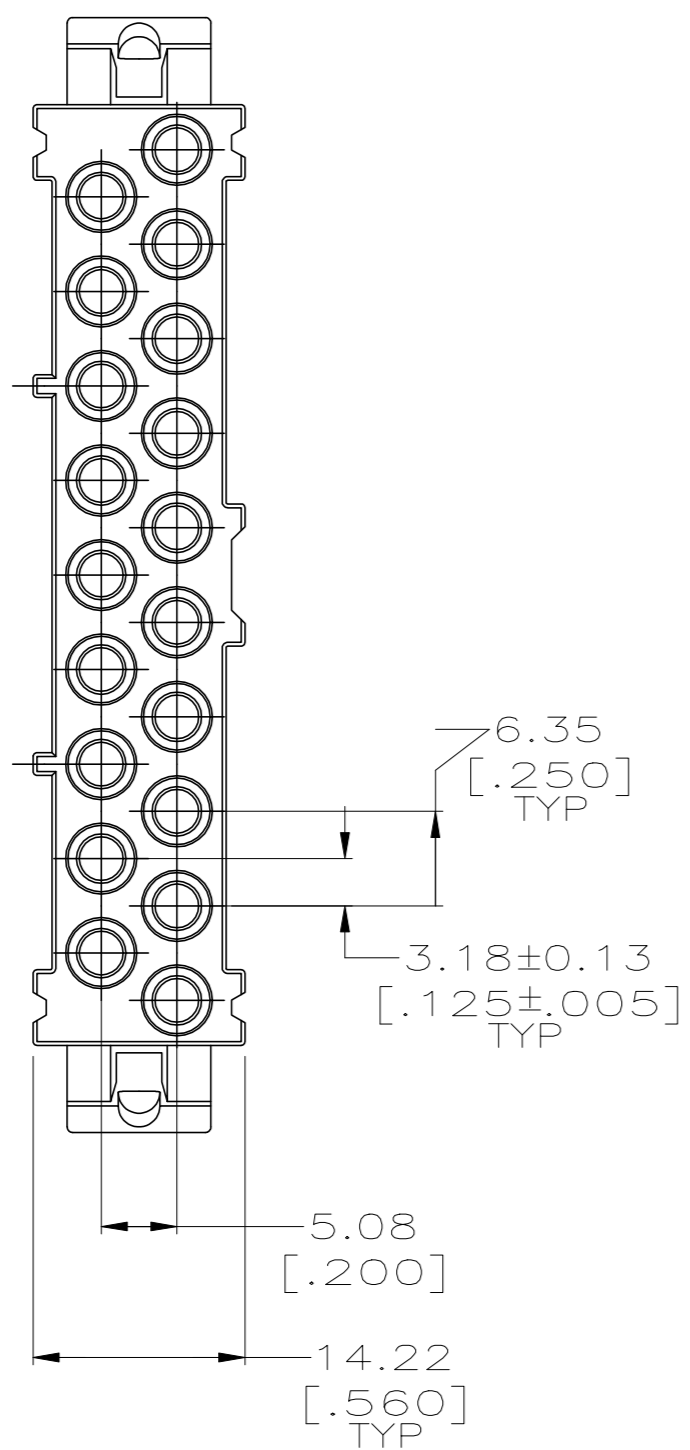
MOD

2

1

THIS DRAWING IS UNPUBLISHED. RELEASED FOR PUBLICATION
 © COPYRIGHT - TE Connectivity Ltd. ALL RIGHTS RESERVED.

REVISIONS					
P	LTR	DESCRIPTION	DATE	DWN	APVD
-	-		-	-	-



NOTE:
 1 HOUSING MATERIAL: PA66, BLACK, UL 94 V-0 RATED

208100-1
 PART NO.

THIS DRAWING IS A CONTROLLED DOCUMENT.		DWN L.SIPE 03/16/92	TE Connectivity	
DIMENSIONS: INCHES		CHK R.STONE 3-18-92		
		APVD C.RÖHDE/A.TRAVIS 3-18-92		NAME
TOLERANCES UNLESS OTHERWISE SPECIFIED: 0 PLC ± - 1 PLC ± - 2 PLC ± 0.25 [.010] 3 PLC ± - 4 PLC ± - ANGLES ± -		PRODUCT SPEC		HOUSING, PLUG, 19 POSN, METRIMATE
MATERIAL		APPLICATION SPEC		RESTRICTED TO
		WEIGHT		SIZE CAGE CODE DRAWING NO
FINISH		CUSTOMER DRAWING		A2 00779 C=208100
		SCALE 2:1		SHEET 1 OF 1 REV E

208100

B

A

单击下面可查看定价，库存，交付和生命周期等信息

[>>TE Connectivity\(泰科\)](#)