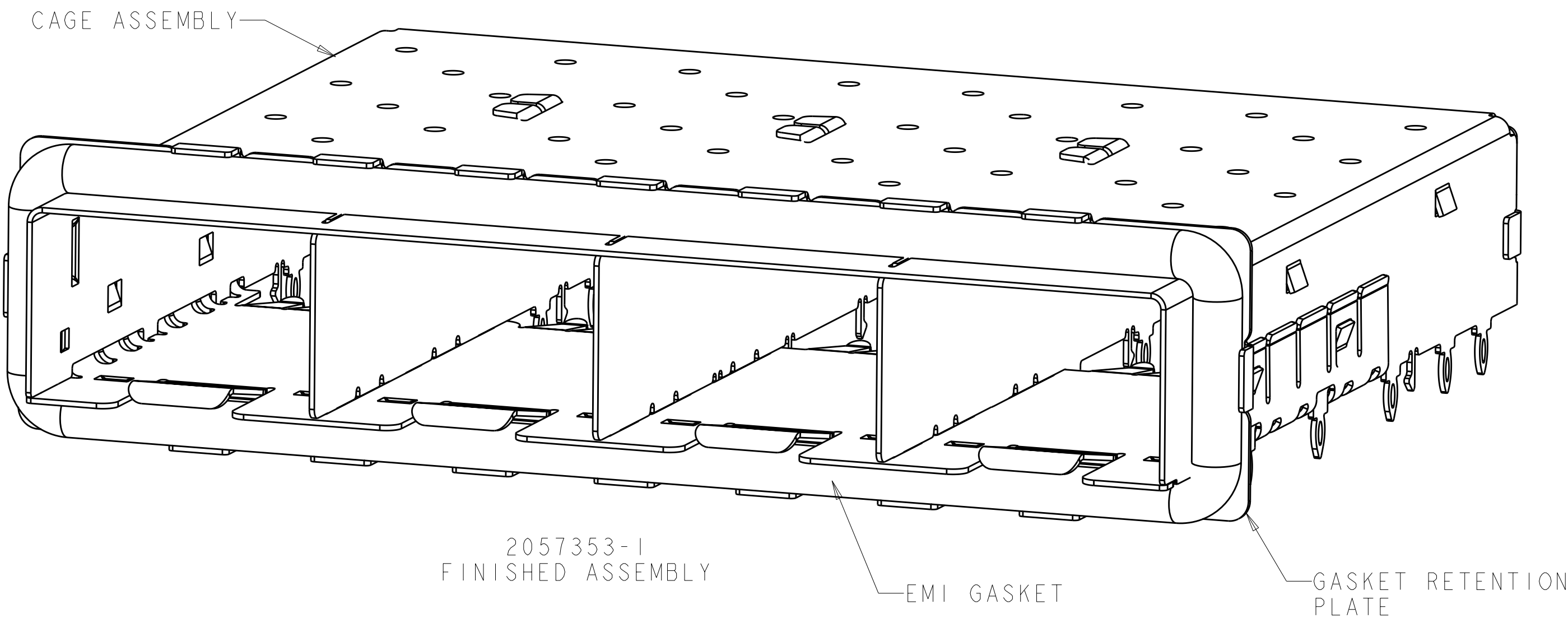
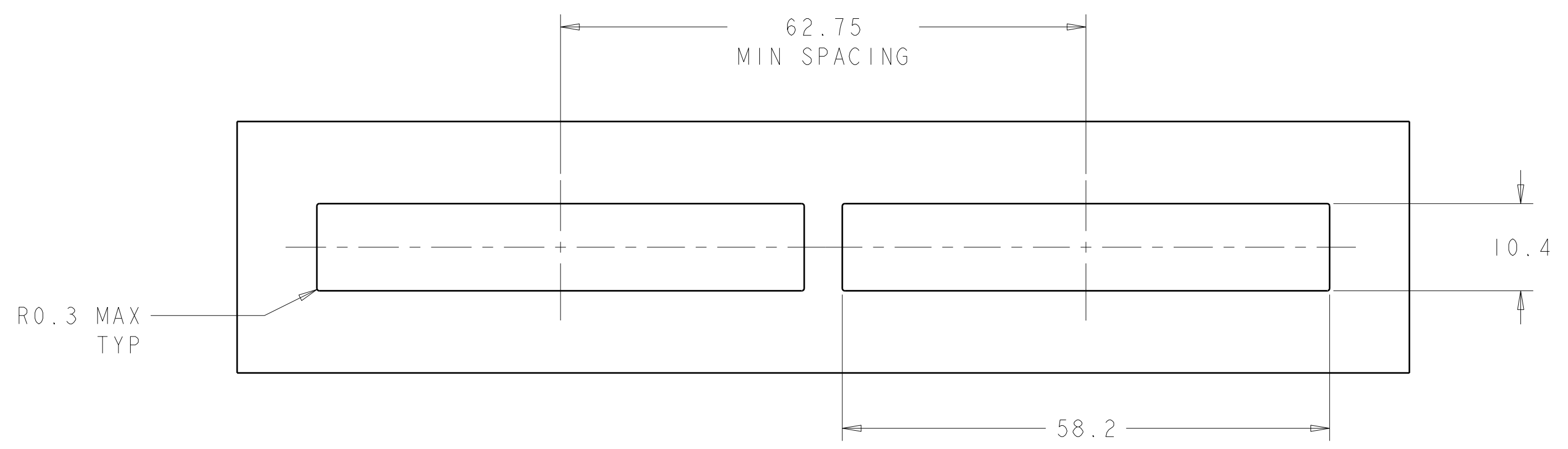
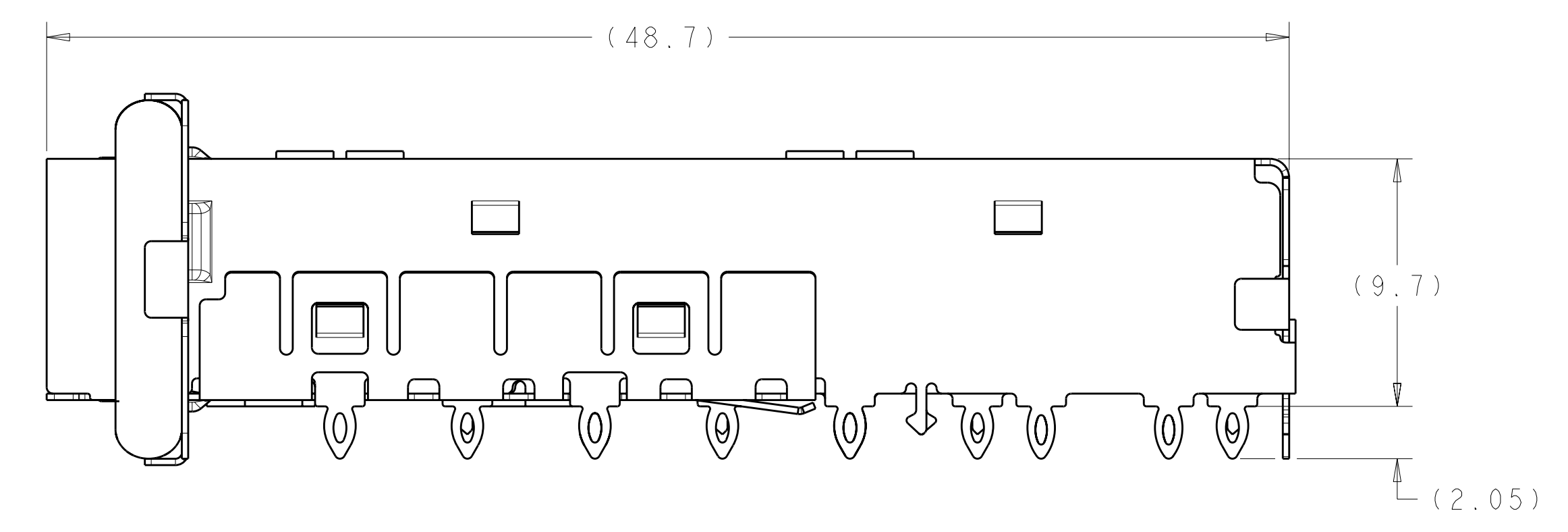
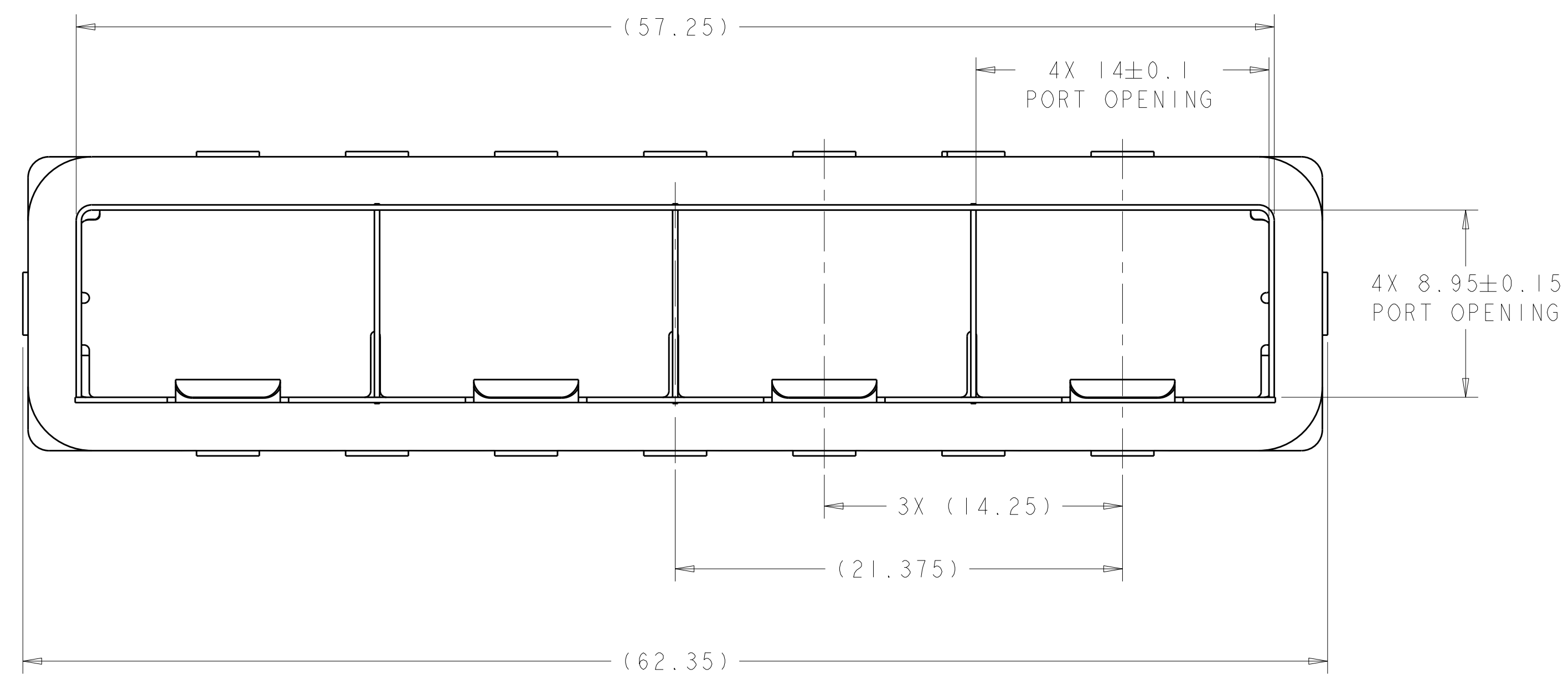


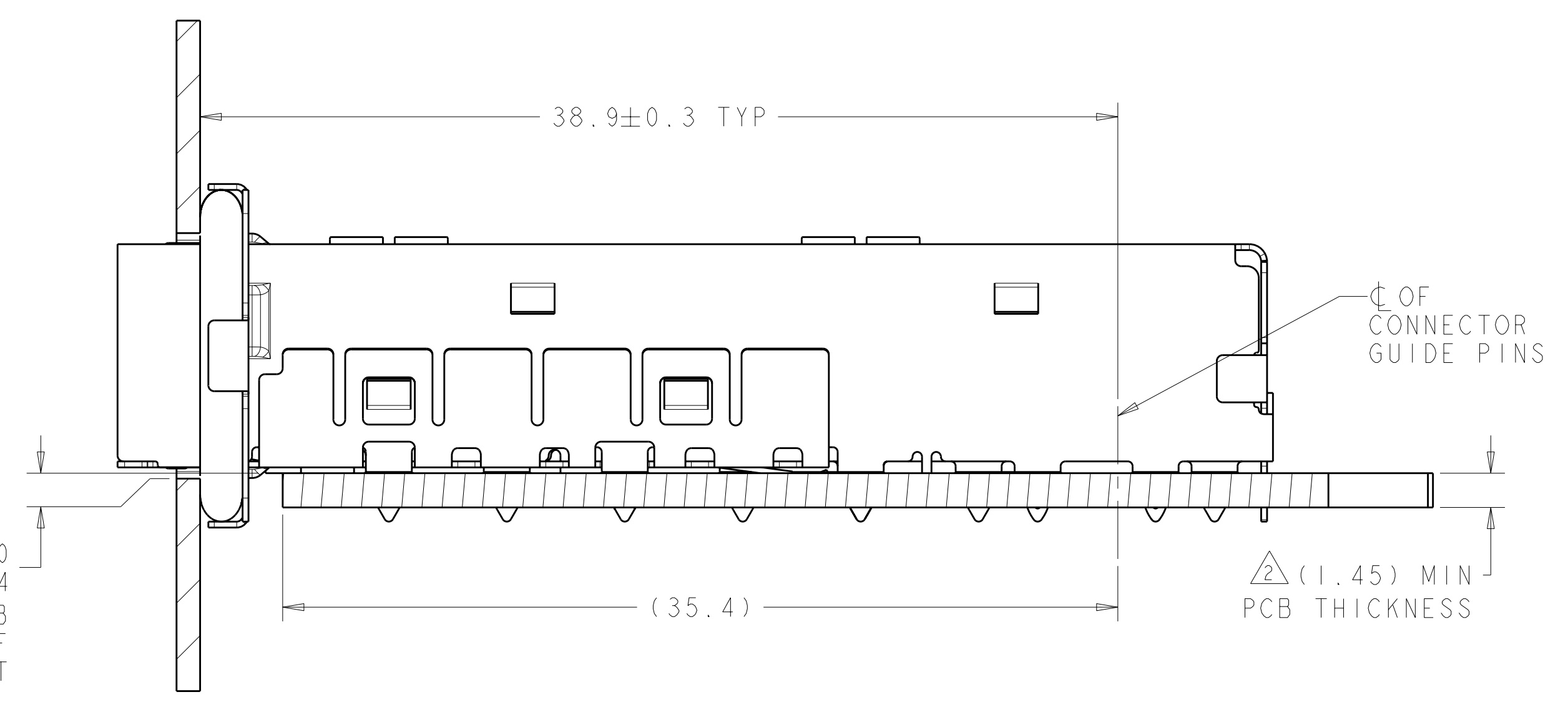
LOC	DIST	REV	DATE	BY	APPD
GP	00	A	15FEB2011	CJV	JTL



- 1 MATERIAL:
 CAGE ASSEMBLY: NICKEL SILVER ALLOY
 GASKET RETENTION PLATE: STAINLESS STEEL
 EMI GASKET: PLATED FILLED SILICONE
- 2 MINIMUM PC BOARD THICKNESS:
 SINGLE SIDED = 1.45mm
- 3 PADS AND VIAS CHASSIS GROUND.
- 4 DATUM AND BASIC DIMENSION ESTABLISHED BY CUSTOMER.
- 5. MATES WITH SFP MSA COMPLIANT TRANSCEIVERS.
- 6. INTERPRETATION OF DATUM REFERENCE FRAME IN ACCORDANCE WITH SECT 4.4.1.1 OF ASME Y14.5M-1994.
- 7 REFERENCE APPLICATION SPEC. 114-13120, HOLE A, FOR RECOMMENDED DRILL HOLE DIAMETER AND PLATING THICKNESS.
- 8 REFERENCE APPLICATION SPEC. 114-13120, HOLE B, FOR RECOMMENDED DRILL HOLE DIAMETER AND PLATING THICKNESS.
- 9 HOLE PATTERN REPEATS FOR EACH PORT. SPACING BETWEEN PORTS IS 14.25mm.



0.23^{+0.10}_{-0.14}
 TOP OF PCB TO INSIDE OF BEZEL CUT-OUT



RECOMMENDED BEZEL CUT-OUT
 SINGLE SIDED APPLICATIONS
 SCALE 2:1

2057353-1
 MOUNTED ON PC BOARD
 SHOWN THRU RECOMMENDED BEZEL
 SECTION

2057353-1
 PART NUMBER

DIMENSIONS: mm 		TOLERANCES UNLESS OTHERWISE SPECIFIED: 9 PLC ±0.1 1 PLC ±0.1 2 PLC ±0.1 3 PLC ±0.1 4 PLC ±0.1 ANGLES ±0.1 FINISH #1		DWN: MCMASTER 19AUG08 CHK: M. SCHMITT 19AUG08 APVD: M. SCHMITT 19AUG08		Tyco Electronics Harrisburg, PA 17105-3608	
MATERIAL:		WEIGHT: -		NAME: SFP+ ENHANCED 1X4 CAGE ASSEMBLY, PRESS-FIT		SIZE: CAGE CODE DRAWING NO: 114-13120 WEIGHT: - SCALE: 5:1 SHEET 1 OF 2 REV A	
CUSTOMER DRAWING				RESTRICTED TO			

单击下面可查看定价，库存，交付和生命周期等信息

[>>TE Connectivity\(泰科\)](#)