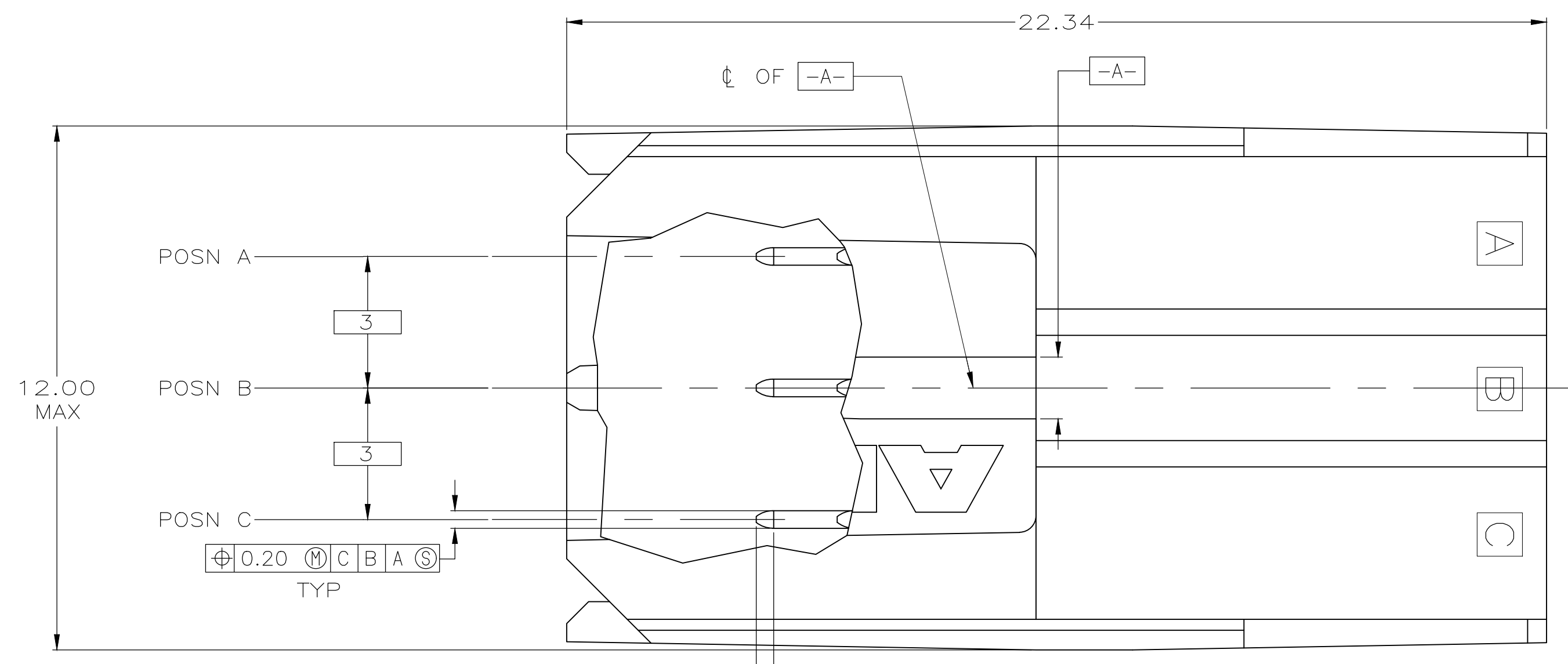
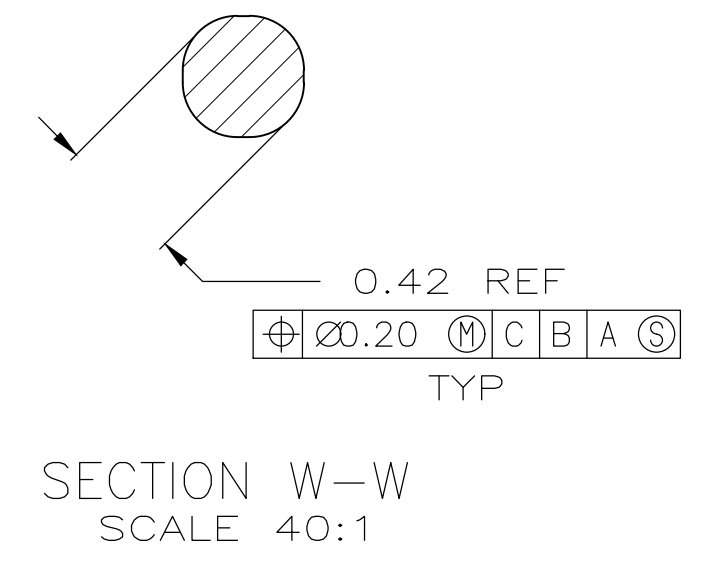
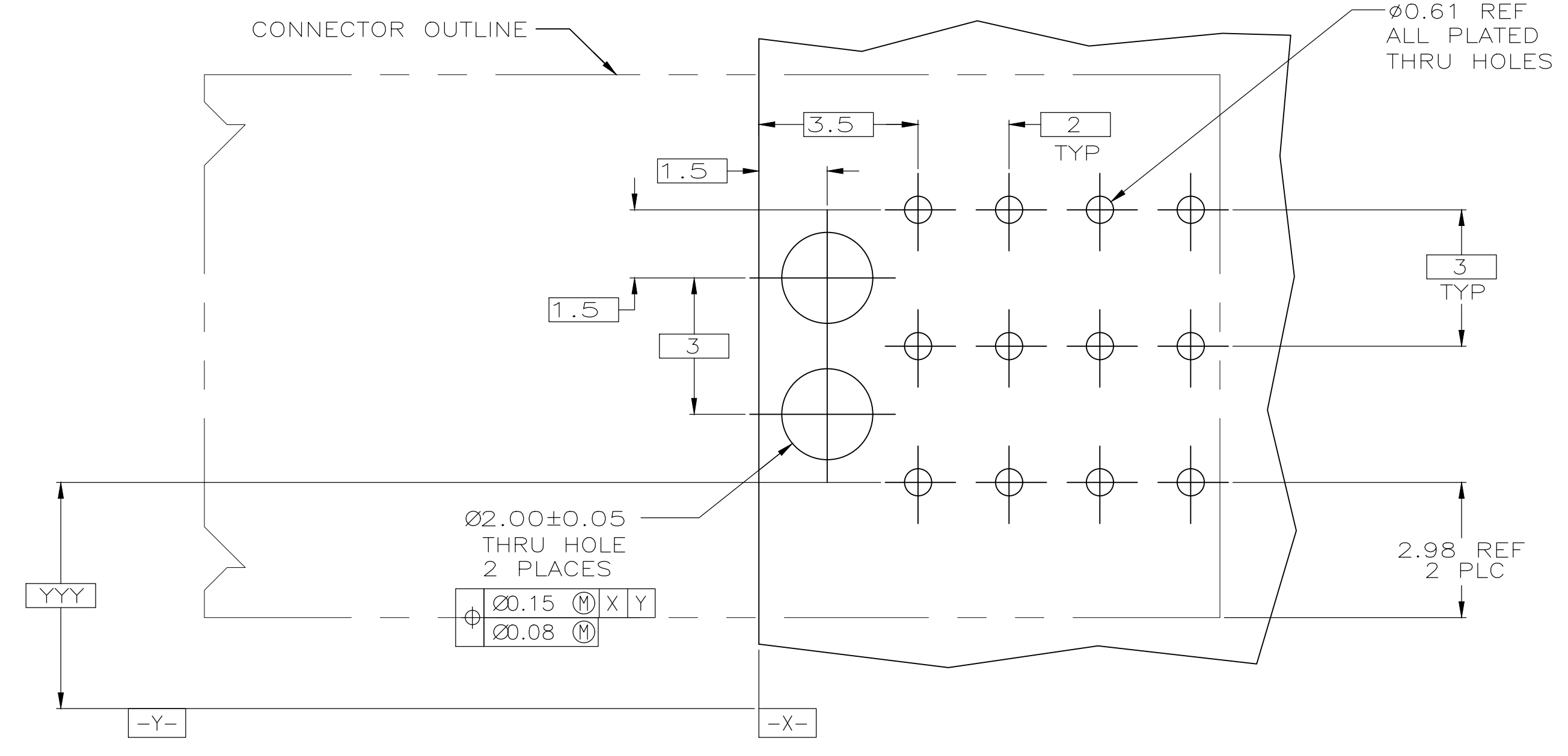
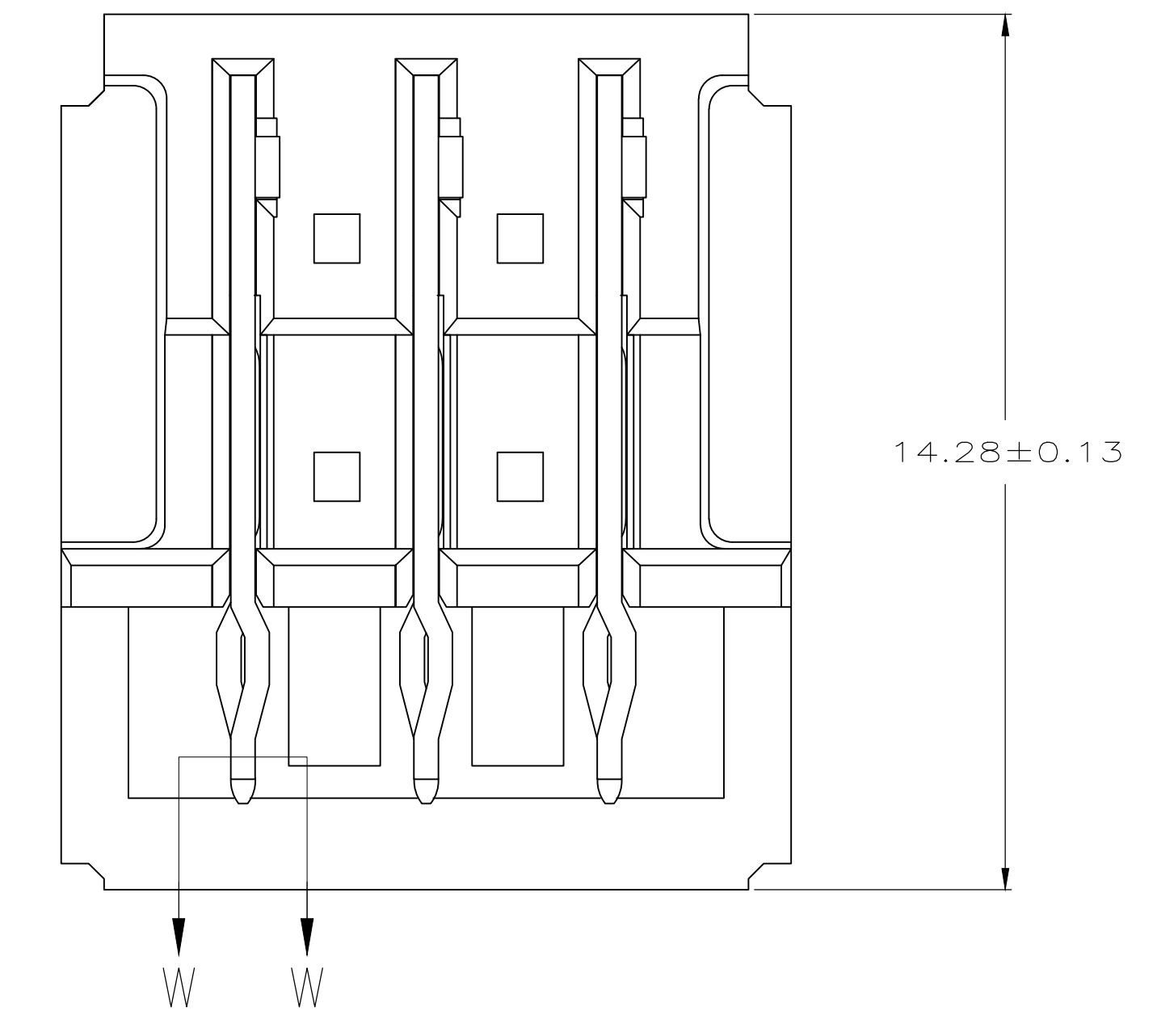
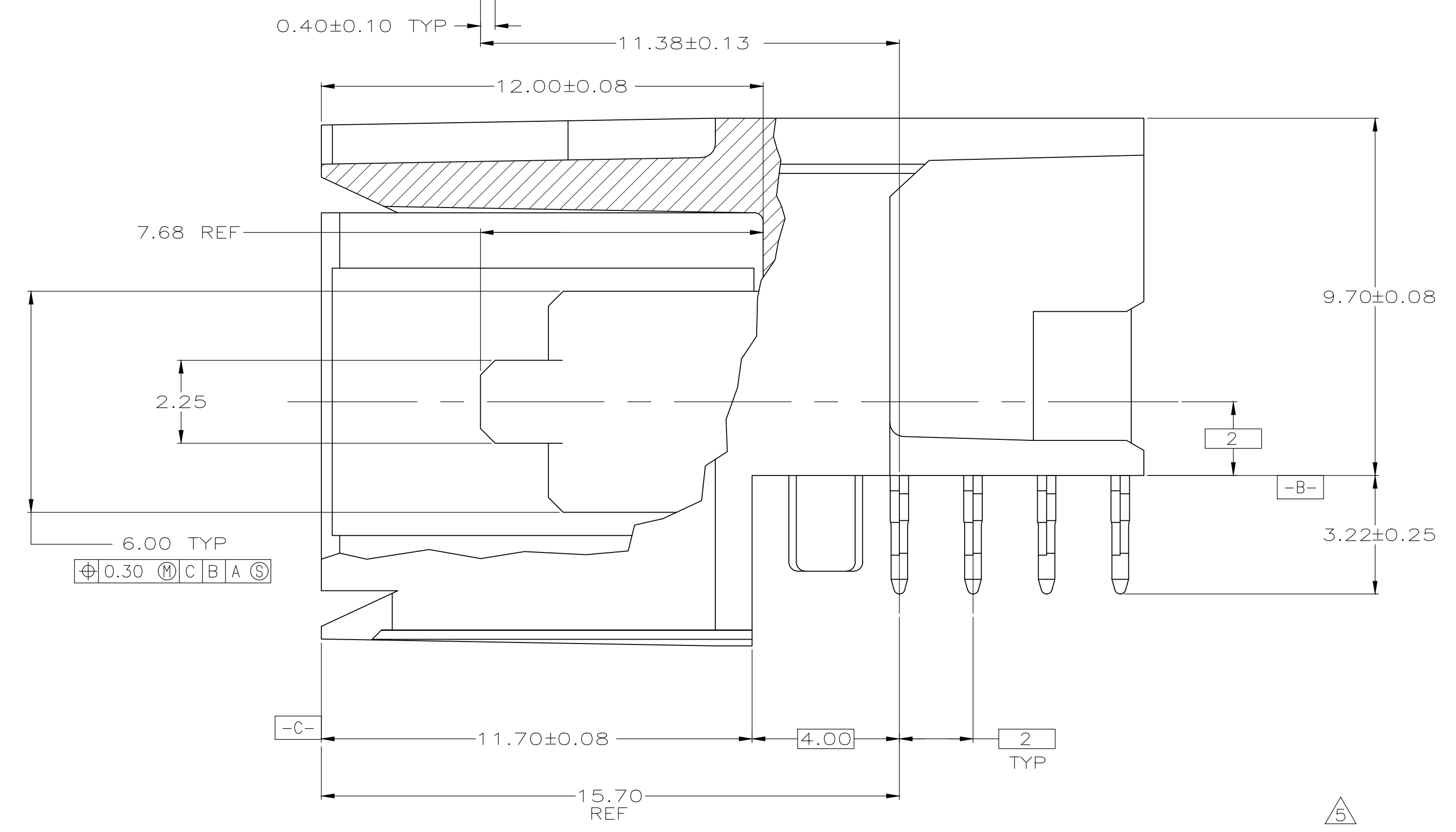
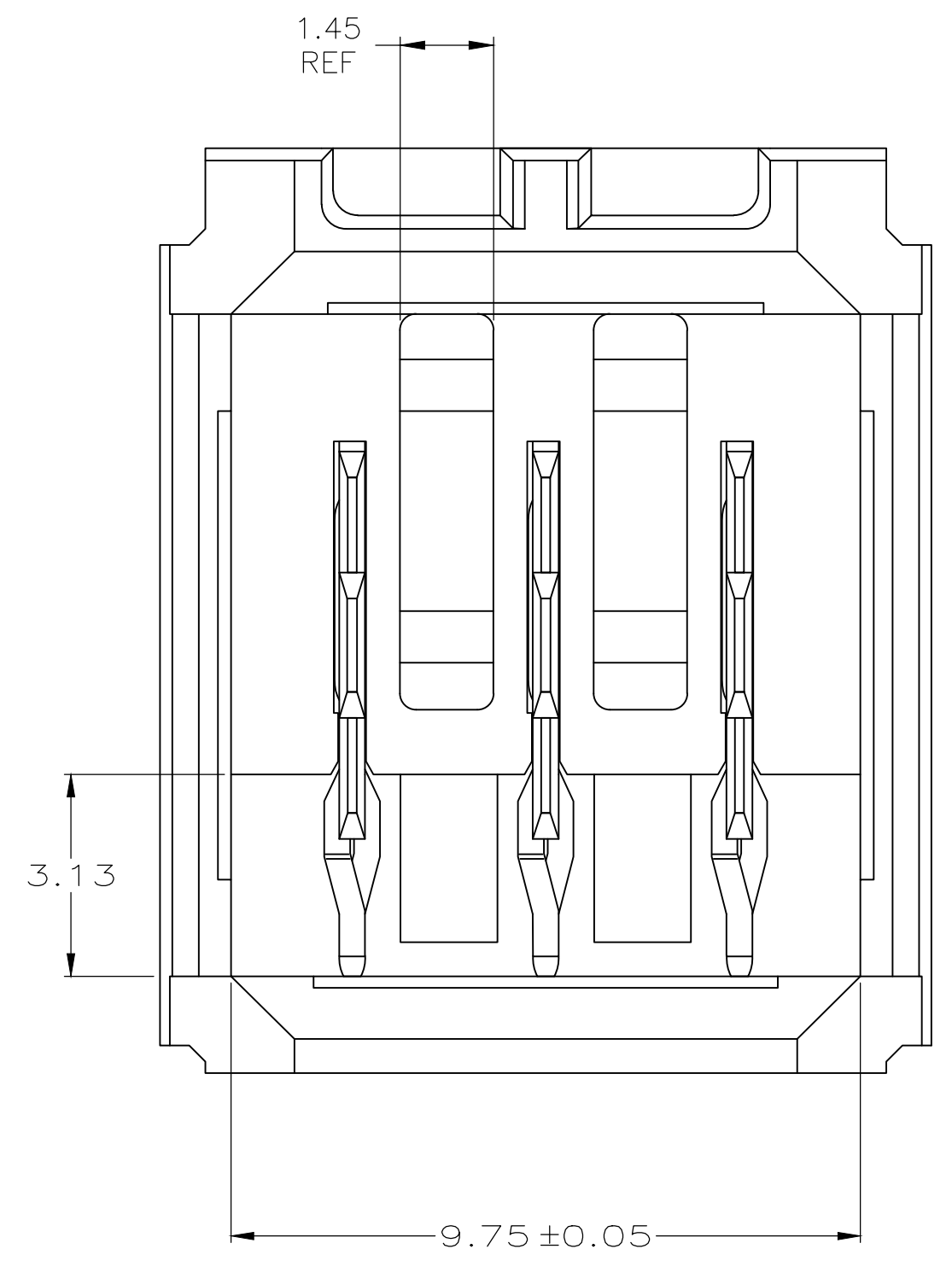


LOC		DIST		REVISIONS				
AD	00	REV	PER	ECO	NO	DATE	BY	APPV
C1		REV	PER	ECO-20-004668		08JUN2020	ML	SZ



- 1 MATERIAL: HOUSING: POLYESTER. COLOR: GRAY. UL 94V-O. CONTACT: PHOSPHOR BRONZE.
- 2 FINISH: IN ACCORDANCE WITH PRODUCT SPECIFICATION 108-1651, GOLD PLATING OR EQUIVALENT PLATING ON PRODUCT CONTACT MATING AREA, AND MATTE TIN PLATING ON COMPLIANT PIN AREA, ALL OVER MATTE NICKEL UNDERPLATED. DETAIL PLEASE REFER TO PRODUCT SPECIFICATION 108-1651.
- 3 FINISH: CONTACT LUBRICATION WITH BELLCORE APPROVED LUBRICANT. TECHNICAL REFERENCE: TR-NWT-001217 ISSUE 1, SEPT 1992.
- 4 MATERIAL: HOUSING: POLYESTER. COLOR: GRAY. UL 94V-O. CONTACT: HIGH CURRENT COPPER ALLOY.
- 5 REFERENCE APPLICATION SPEC 114-1103 FOR RECOMMENDED PLATED THRU HOLE DIAMETER AND PLATING THICKNESS.
- 6 CURRENT RATING 10A/CONTACT FOR PHOS BRONZE CONTACTS AND 16A/CONTACT FOR HIGH CURRENT COPPER ALLOY CONTACTS PER PRODUCT SPEC 108-1651.



5-5223974-1	5223974-1
MATERIAL & FINISH	PART NUMBER

THIS DRAWING IS A CONTROLLED DOCUMENT.		DIN: B. CARBO 130EC04	Tyco Electronics Corporation	
DIMENSIONS: mm		CHK: R. PATTERSON 130EC04	Harrisburg, Pa 17105-3608	
TOLERANCES UNLESS OTHERWISE SPECIFIED:		APPV: R. PATTERSON 130EC04	NAME	
0. PLC	± -	PRODUCT SPEC		
1. PLC	± -	108-1651		
2. PLC	± 0.13	APPLICATION SPEC		
3. PLC	± -	114-1103		
4. PLC	± -	SIZE		
ANGLES	± -	DRAWING NO		
MATERIAL SEE TABLE		WEIGHT	A1 00779	RESTRICTED TO
FINISH SEE TABLE		CUSTOMER DRAWING	C=5223974	SCALE 10:1 SHEET 1 of 1 REV C1

单击下面可查看定价，库存，交付和生命周期等信息

[>>TE Connectivity\(泰科\)](#)