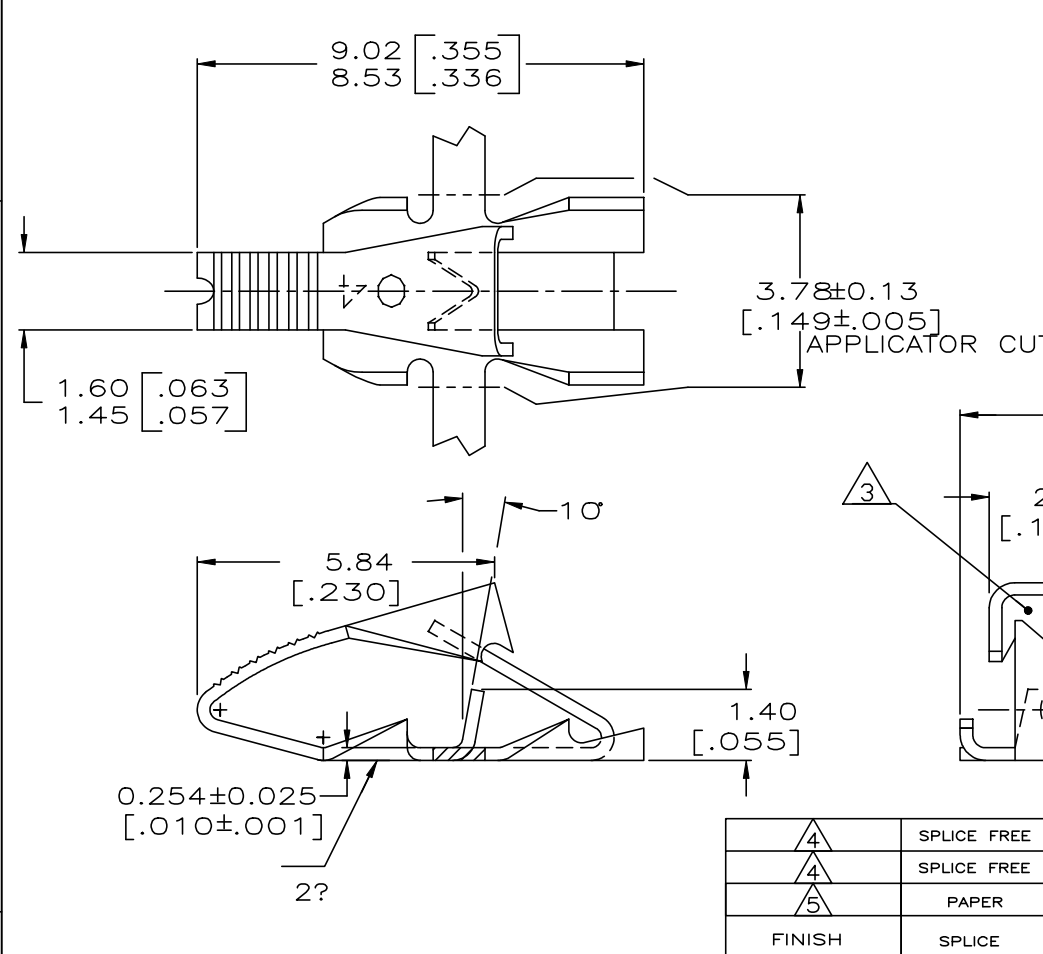


DRAWING MADE IN THIRD ANGLE PROJECTION

THIS DRAWING IS UNPUBLISHED. RELEASED FOR PUBLICATION .19
 © COPYRIGHT 19 BY AMP INCORPORATED. ALL INTERNATIONAL RIGHTS RESERVED.

LOC		DIST		REVISIONS			
P	F	ZONE	LTR	DESCRIPTION	DATE	APPD	
AF	50			T	REVISED PER ECR-19-008673	07AUG2019	PC/SE



- 1 CONTINUOUS STRIP ON REELS WITH TERMINALS LOCATED ON 6.10±0.08 [.240±.003] CENTERS.
- 2 IDENTIFICATION NUMBER (04) FOR MAGNET WIRE RANGE.
- 3 SOLID OR FUSED STRANDED LEAD WIRE 0.3-0.9mm² [#22-#18] AWG.
- 4 0.001016 [.000040] MIN TIN.
- 5 TIN PLATE

4	SPLICE FREE	STANDARD REELS	0.02-0.06mm [#52-#42] AWG	62781-3
4	SPLICE FREE	PLASTIC REELS	0.02-0.06mm [#52-#42] AWG	62781-2
5	PAPER	STANDARD REELS	0.02-0.06mm [#52-#42] AWG	62781-1
FINISH	SPLICE	REELING	COPPER MAGNET WIRE RANGE	PART NUMBER

DO NOT SCALE PRINT. UNLESS SPECIFIED DIMENSIONS IN mm [INCHES] TOLERANCES ON: 2 PLC DEC ± - 3 PLC DEC ± 0.25 [.010] ANGLES ± -		DR 9/27/89 MICHAEL S. FEHER CHK 10/12/89 JEFF R. RUTH APPD 10/12/89 NELSON E. NEFF APPD 10/12/89 TERRY L. SHUTTER PRODUCT SPEC 108-2016	TE Connectivity NAME TERMINAL, POKE-IN, MINI MAG-MATE™	
MATERIAL H02 HARD BRASS	FINISH SEE TABLE	APPLICATION SPEC 114-2047		SIZE B
		WEIGHT -	CAGE CODE 00779	DRAWING NO 62781
			SCALE 10:1	SHEET 1 OF 1

AMP 1470-15 REV 6-89 Translated 020830.161545 (YYMMDD.HHMMSS) from ComputerVision, Inc., Medusa Revision 12.2.5T

CUSTOMER DRAWING

单击下面可查看定价，库存，交付和生命周期等信息

[>>TE Connectivity\(泰科\)](#)