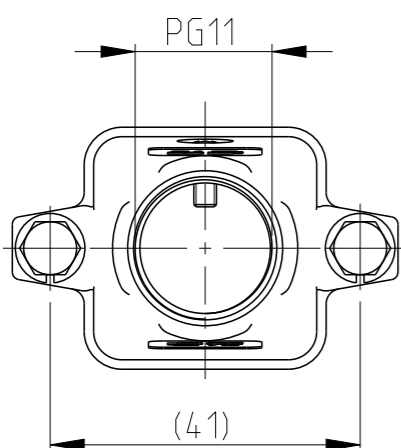
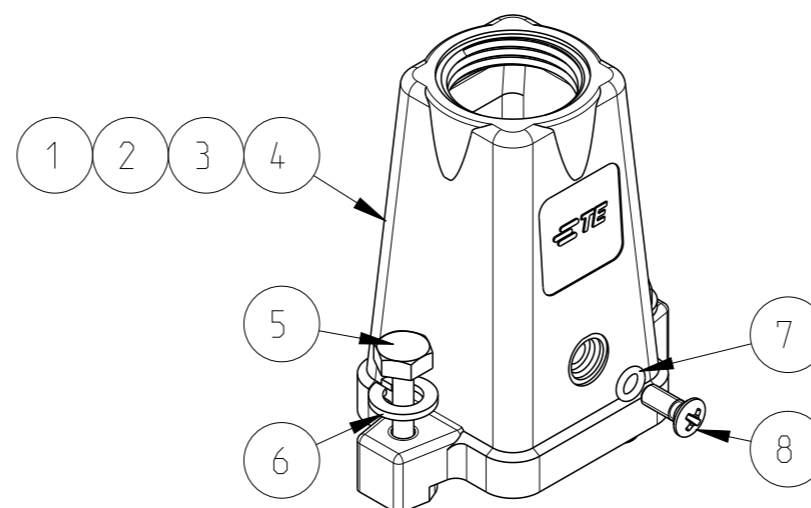
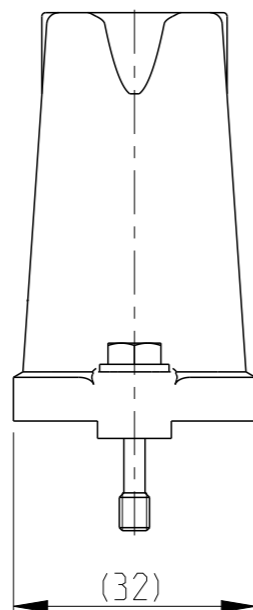
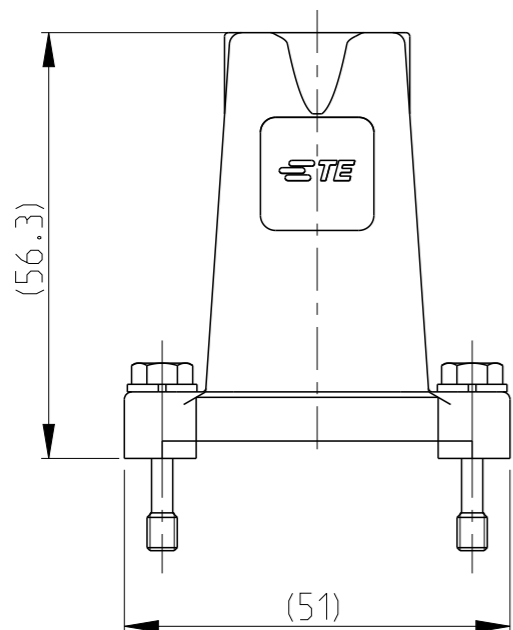


REVISIONS

| P  | LTR | DESCRIPTION   | DATE      | DWN | APVD |
|----|-----|---------------|-----------|-----|------|
| A5 |     | ECR-10-009092 | 22OCT2009 | RO  | BR   |
| B  |     | ECR-16-001855 | 29FEB2016 | GCM | JB   |
| C  |     | ECR-16-014579 | 25APR2017 | GCM | JB   |
| C1 |     | ECR-17-014011 | 27MAR2018 | SG  | MKO  |

Notes

- 1 SUITABLE HOUSINGS: SERIES HIP, SIZE 1  
CUSTOMER DRAWING 1102600, 1106408
- 2 STANDARDS:  
DIN EN 61984, DIN EN 60664-1
- 3 TOOL:  
PHILLIPS SCREWDRIVER PH1.  
HEXAGON SCREWDRIVER 7mm
- 4 VARNISH ON INSIDE AREA NOT  
NECESSARY
- 5 PACKAGING:  
10 SETS IN A CARTON, PRE-MOUNTED




PN 1-5 AS SHOWN

OBSOLETE

|                        |                               |
|------------------------|-------------------------------|
| 0-1102600-2            | HIP-K.3/4.STO.1.11.G          |
| 2-1102600-5            | HIP-K.3/4.STO.1.11.G          |
| <del>1-1102600-5</del> | <del>HIP.3/4.STO.1.11.G</del> |
| PART NO.               | ORDERING TEXT                 |

| PN/QTY | DESCRIPTION                   | MATERIAL     | COLOR/SURFACE | NOTE                                 | ITEM |
|--------|-------------------------------|--------------|---------------|--------------------------------------|------|
| 1 1 1  | SCREW COUNTERSUNK RAISED HEAD | STAINL.STEEL | V2A           | M3x8 PH1 DIN EN ISO 7047             | 8    |
| 1 1 1  | O - RING                      | NBR          | BLACK         | 3.0x1.0                              | 7    |
| 2 2 2  | WASHER, PLAIN                 | STAINL.STEEL | BLANK         | A4, DIN EN ISO 7089, 200HV           | 6    |
| 2 2 2  | SCREW, HEXAGON BOLT           | STAINL.STEEL | BLANK         | M4x22 DIN EN ISO 7964, REDUCED SHUNK | 5    |
| 1 - -  | CONNECTOR HOUSING             | ALU          | YELLOW        | SERIES HIP-K                         | 4    |
| - 1 -  | CONNECTOR HOUSING             | ALU          | BLACK         | SERIES HIP-K                         | 2    |
| - - 1  | CONNECTOR HOUSING             | ALU          | GREY          | SERIES HIP                           | 1    |

PARTS LIST (PER ONE UNIT)

|  |     |                                    |  |  |              |                 |           |   |       |   |       |   |        |     |        |            |                    |                         |
|--|-----|------------------------------------|--|--|--------------|-----------------|-----------|---|-------|---|-------|---|--------|-----|--------|------------|--------------------|-------------------------|
| THIS DRAWING IS A CONTROLLED DOCUMENT.   |     | DWN<br>V.Glumm<br>06AUG2009        | <br>TE Connectivity | NAME<br>CONNECTOR HOUSING ASS'Y, TOP ENTRY<br>SERIES HIP, SIZE 1, PG11 |              |                 |           |   |       |   |       |   |        |     |        |            |                    |                         |
| DIMENSIONS:<br>mm  |     | CHK<br>H.Braun<br>06AUG2009        |  | PRODUCT SPEC   |              |                 |           |   |       |   |       |   |        |     |        |            |                    |                         |
| TOLERANCES UNLESS OTHERWISE SPECIFIED:   |     | APVD<br>T.Schnurpfeil<br>06AUG2009 |  | APPLICATION SPEC   |              |                 |           |   |       |   |       |   |        |     |        |            |                    |                         |
| <table border="0"> <tr><td>0 PLC</td><td>±</td></tr> <tr><td>1 PLC</td><td>±</td></tr> <tr><td>2 PLC</td><td>±</td></tr> <tr><td>3 PLC</td><td>±</td></tr> <tr><td>4 PLC</td><td>±</td></tr> <tr><td>ANGLES</td><td>±1°</td></tr> </table> |     | 0 PLC                              |  | ±  | 1 PLC        | ±               | 2 PLC     | ± | 3 PLC | ± | 4 PLC | ± | ANGLES | ±1° | WEIGHT | SIZE<br>A3 | CAGE CODE<br>00779 | DRAWING NO<br>C-1102600 |
| 0 PLC  | ±   |                                    |  |  |              |                 |           |   |       |   |       |   |        |     |        |            |                    |                         |
| 1 PLC  | ±   |                                    |  |  |              |                 |           |   |       |   |       |   |        |     |        |            |                    |                         |
| 2 PLC  | ±   |                                    |  |  |              |                 |           |   |       |   |       |   |        |     |        |            |                    |                         |
| 3 PLC  | ±   |                                    |  |  |              |                 |           |   |       |   |       |   |        |     |        |            |                    |                         |
| 4 PLC  | ±   |                                    |  |  |              |                 |           |   |       |   |       |   |        |     |        |            |                    |                         |
| ANGLES   | ±1° |                                    |  |  |              |                 |           |   |       |   |       |   |        |     |        |            |                    |                         |
| MATERIAL   |     | FINISH                             | CUSTOMER DRAWING   |  | SCALE<br>5:1 | SHEET<br>1 OF 1 | REV<br>C1 |   |       |   |       |   |        |     |        |            |                    |                         |

单击下面可查看定价，库存，交付和生命周期等信息

[>>TE Connectivity\(泰科\)](#)