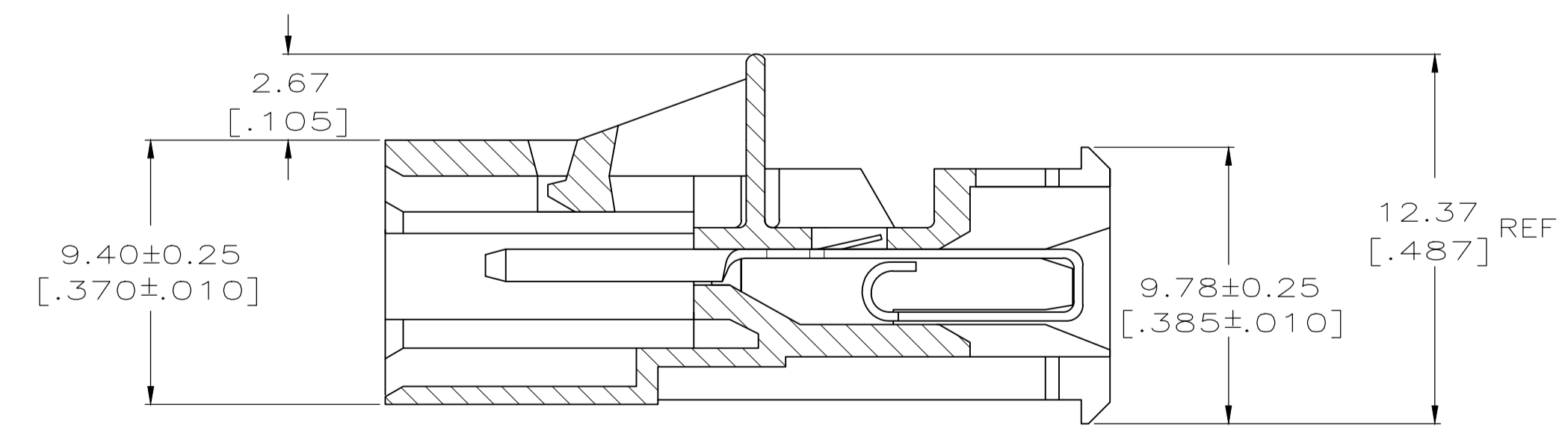
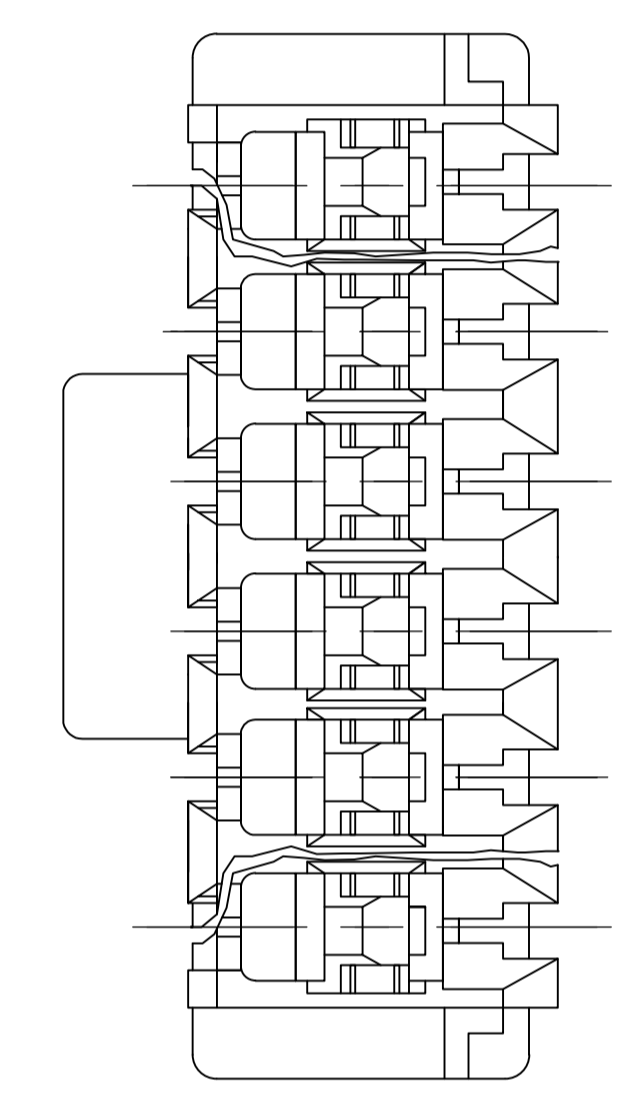
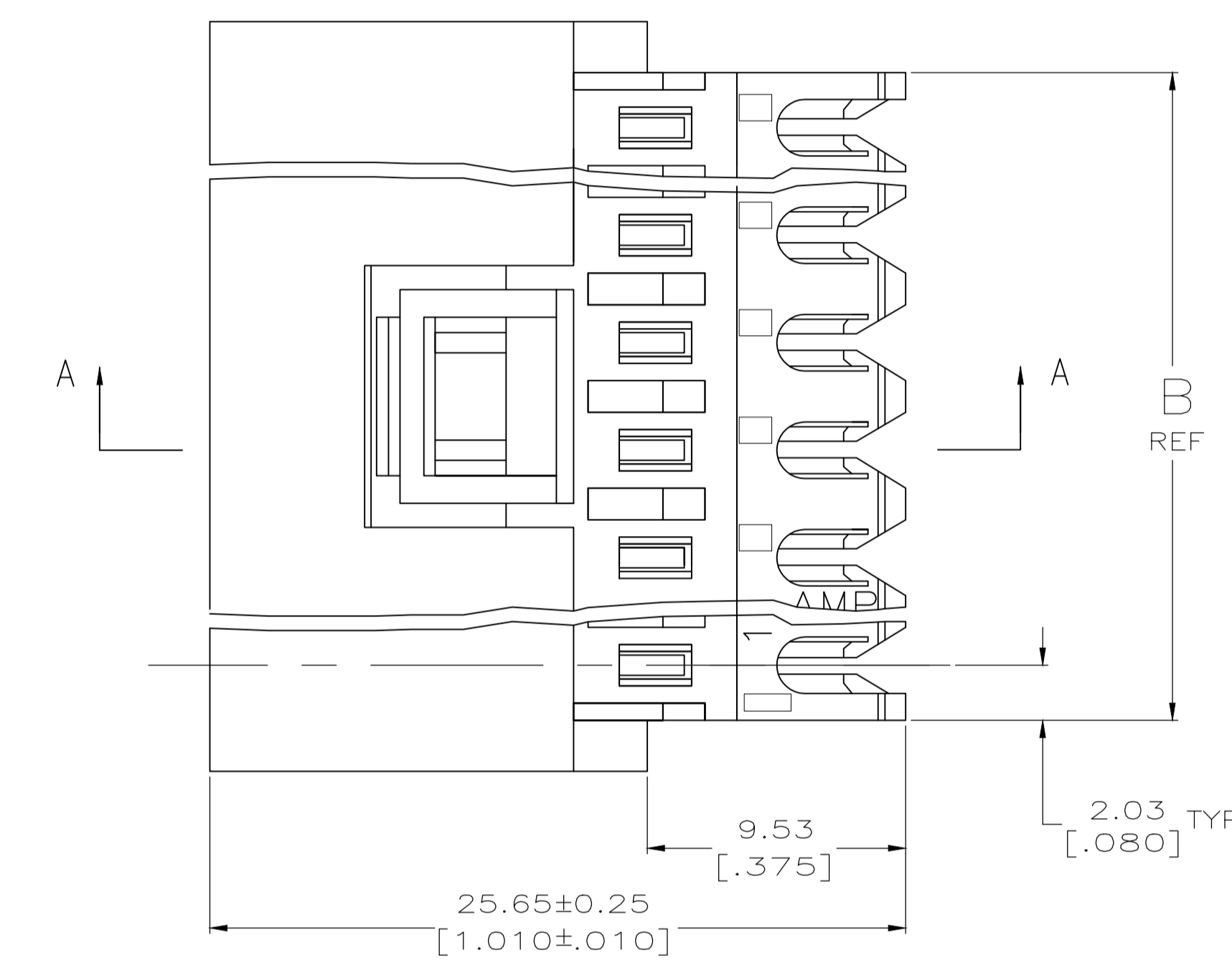
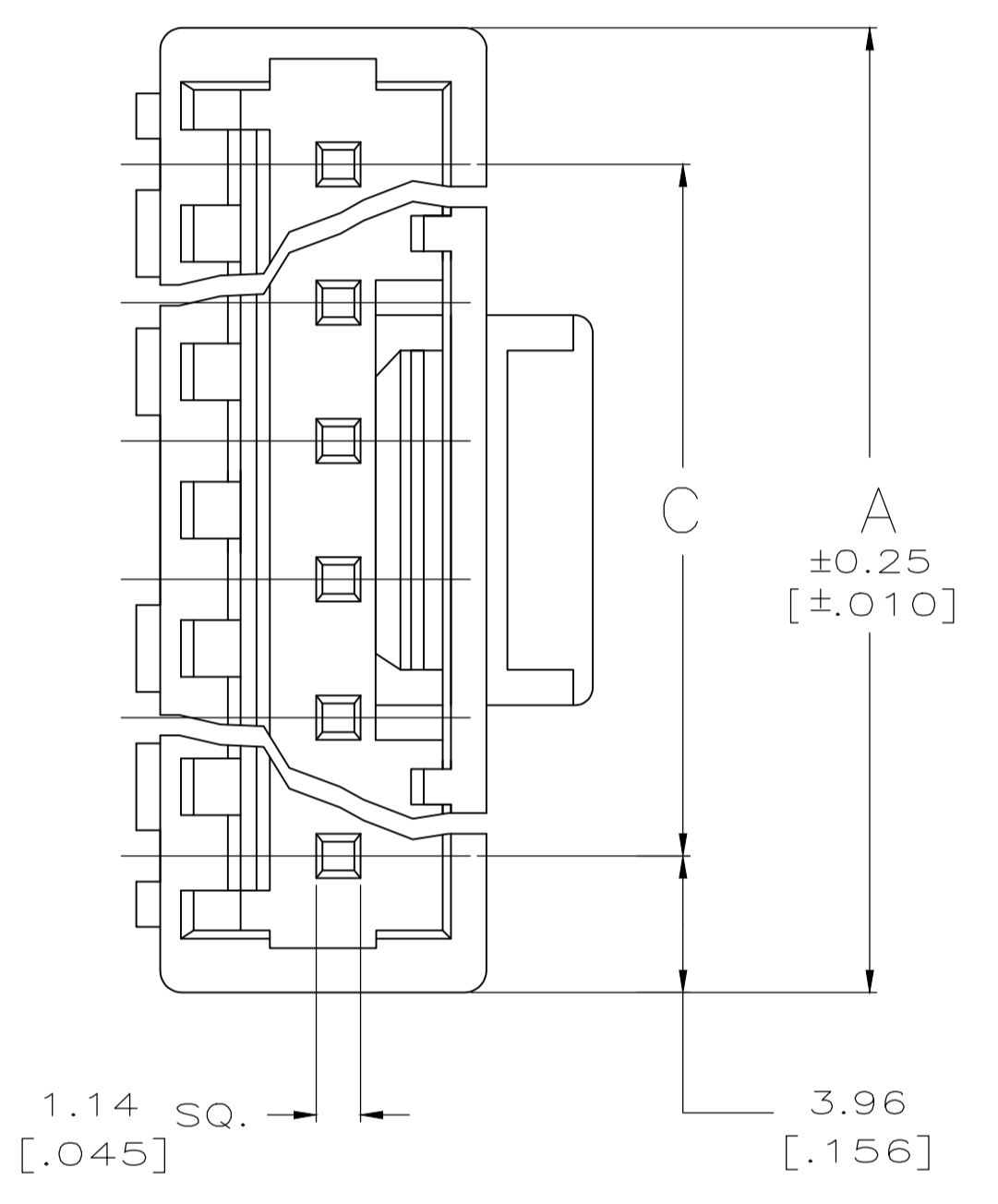


LOC		DIST		REVISIONS			
CM	0	P	LTR	DESCRIPTION	DATE	DMN	APVD
G				REVISED PER ECR-20-000808	26MAY2020	PC	SW

- MATERIAL: CONNECTOR- NYLON UL94V-2 (ORANGE).
 CONTACTS - 0.30 [.012] THK COPPER ALLOY
 (PLATED 0.00038 [.000015] MIN GOLD OR 0.00008 [.000003] MIN GOLD FLASH
 OVER 0.00030 [.000012] PALLADIUM NICKEL, PER TE CONNECTIVITY'S DISCRETION,
 ON POST END, WITH MATTE TIN 0.00203 [.000080] MIN THK ON WIRE END)
 OR
 CONTACTS - 0.30 [.012] THK COPPER ALLOY
 (PLATED 0.00038 [.000015] MIN GOLD OR 0.00008 [.000003] MIN GOLD FLASH OVER
 0.00030 [.000012] PALLADIUM NICKEL, PER TE CONNECTIVITY'S DISCRETION,
 ON POST END, WITH MATTE TIN 0.00203 [.000080] MIN THK ON WIRE END)
 - CONTACTS ACCEPT #18 AWG SOLID, FUSED STRANDED OR
 STRANDED (7 STRANDS) WIRE WITH 2.41 [.095] MAX INSULATION DIA.
 - BOW, IN ANY DIRECTION, NOT TO EXCEED 0.15 [.006] PER IN.
 - HOUSING FEATURES: FEED-THRU.
 - DIMENSIONS IN BRACKETS ARE IN INCHES.
- △ OBSOLETE PARTS: OBSOLETE CIS STREAMLINING PER D.RENAUD/D.SINISI



SECTION A-A

FINISH	C	B	A	NO. OF CIRCUITS	PART NUMBER	
TIN	55.47 [2.184]	59.54 [2.344]	63.40 [2.496]	15	4-647481-5	
	43.59 [1.716]	47.65 [1.876]	51.51 [2.028]	12	4-647481-2	
	31.70 [1.248]	35.76 [1.408]	39.62 [1.560]	9	3-647481-9	
	19.81 [.780]	23.88 [.940]	27.74 [1.092]	6	3-647481-6	
	11.89 [.468]	15.95 [.628]	19.81 [.780]	4	3-647481-4	
	7.92 [.312]	11.99 [.472]	15.85 [.624]	3	3-647481-3	
	3.96 [.156]	8.03 [.316]	11.89 [.468]	2	3-647481-2	
△ SUPERSEDED	TIN-LEAD	55.47 [2.184]	59.54 [2.344]	63.40 [2.496]	15	-1-647481-5
		43.59 [1.716]	47.65 [1.876]	51.51 [2.028]	12	-1-647481-2
		31.70 [1.248]	35.76 [1.408]	39.62 [1.560]	9	647481-9
	TIN	19.81 [.780]	23.88 [.940]	27.74 [1.092]	6	647481-6
		11.89 [.468]	15.95 [.628]	19.81 [.780]	4	647481-4
		7.92 [.312]	11.99 [.472]	15.85 [.624]	3	647481-3
	TIN-LEAD	3.96 [.156]	8.03 [.316]	11.89 [.468]	2	647481-2
OBSOLETE	FINISH	C	B	A		

THIS DRAWING IS A CONTROLLED DOCUMENT. DIN K. WHITAKER 09-NOV-2000
 CHK D. ROSSI 09-NOV-2000
 APVD - NAME

DIMENSIONS: mm [INCHES]	TOLERANCES UNLESS OTHERWISE SPECIFIED:	PRODUCT SPEC	NAME
0 PLC ± -	1 PLC ± -	APPLICATION SPEC	MTA-156
2 PLC ± 0.13 [.005]	3 PLC ± -		POSTED CONNECTOR ASSEMBLY,
4 PLC ± -	ANGLES ± -		18 AWG

MATERIAL: SEE NOTE 1
 FINISH: SEE NOTE 1
 WEIGHT: -
 SIZE: A1
 CAGE CODE: 00779
 DRAWING NO: 647481
 RESTRICTED TO: -
 CUSTOMER DRAWING
 SCALE: 5:1
 SHEET: 1 OF 1
 REV: G

单击下面可查看定价，库存，交付和生命周期等信息

[>>TE Connectivity\(泰科\)](#)