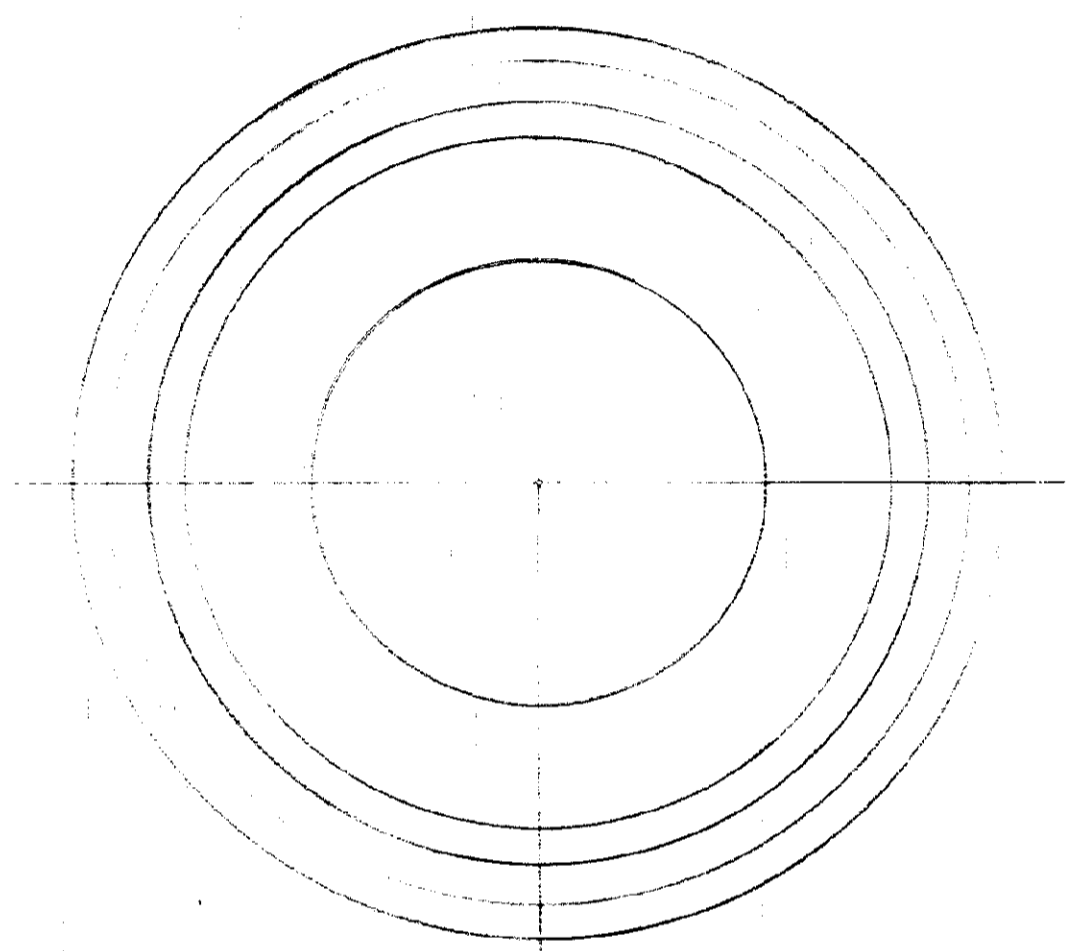
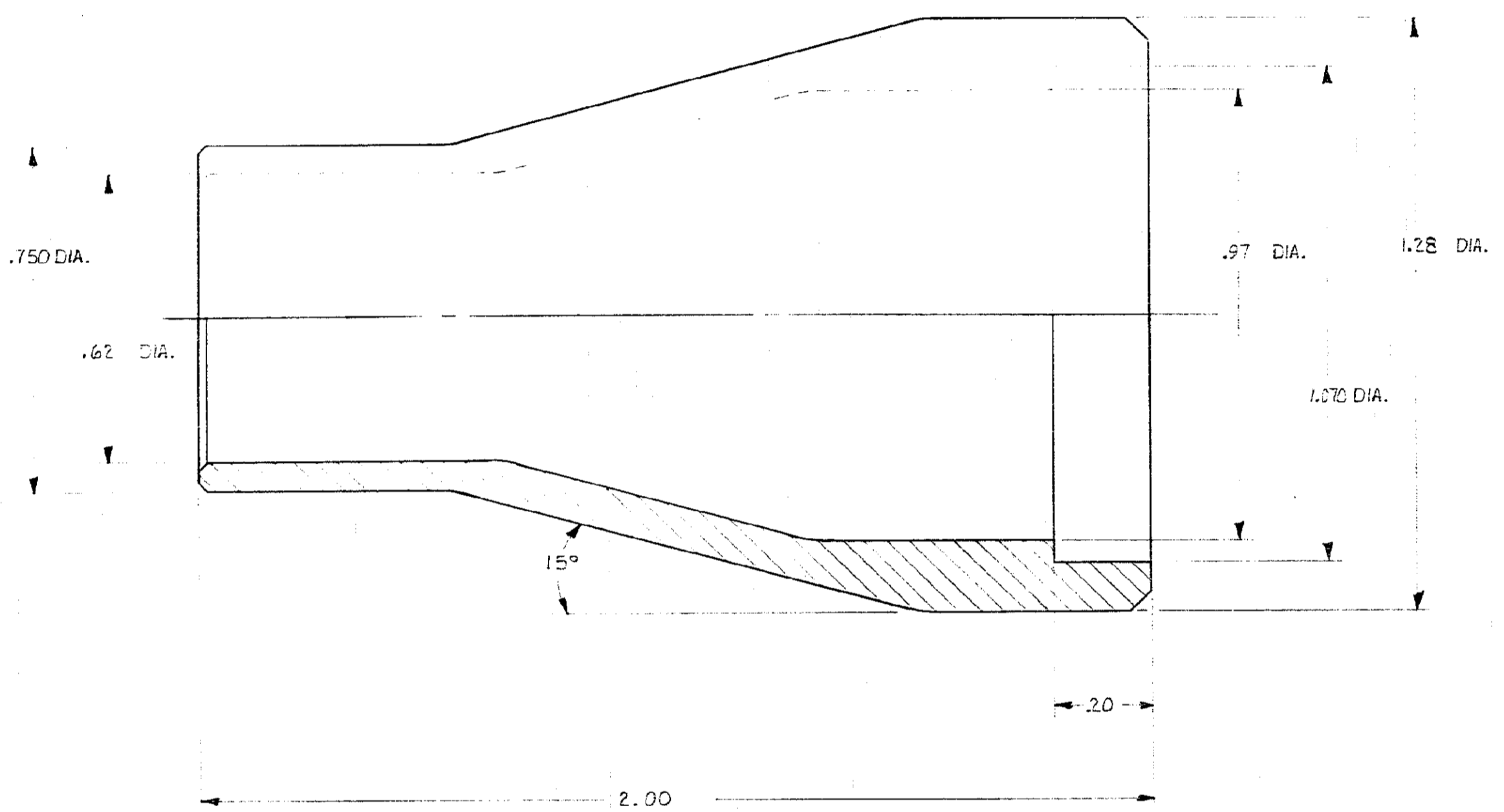


DRAWING MADE IN THIRD ANGLE PROJECTION

© COPYRIGHT 1976 BY AMP INCORPORATED, HARRISBURG, PA.
 ALL INTERNATIONAL RIGHTS RESERVED. AMP INCORPORATED PRODUCTS
 COVERED BY U. S. AND FOREIGN PATENTS AND/OR PATENTS PENDING.

LOC L 37
 DIST 37

REVISIONS						
P	F	ZONE	LTR	DESCRIPTION	DATE	APPROVED
1			A	WAS .625, 1.275 ECU 9385	36	9-17-81 M.B.



862695-1 AS SHOWN

				UNLESS OTHERWISE SPECIFIED DIMENSIONS ARE IN INCHES.		CONTRACT NO		PART NO	
				TOLERANCES: .00 ± .02 .000 ± .005		DR DICK STONE 9-23-76		AMP INCORPORATED HARRISBURG, PA.	
				ANGLES ±		CHK		NAME	
				MATERIAL		APPD 9-23-76 <i>[Signature]</i>		END BELL, PLUG	
				MOLDED PLASTIC		APPD		LGH	
				FINISH		DSGN APPD		SIZE CODE IDENT NO DRAWING NO	
				BLACK		OTHER APPD		C 00779 862695	
NEXT ASSY		FINAL ASSY		NEXT ASSY		USED ON		REV. A	
QTY REQD		APPLICATION		862304-1				SCALE 4:1 SHEET 10 F1	

单击下面可查看定价，库存，交付和生命周期等信息

[>>TE Connectivity\(泰科\)](#)