

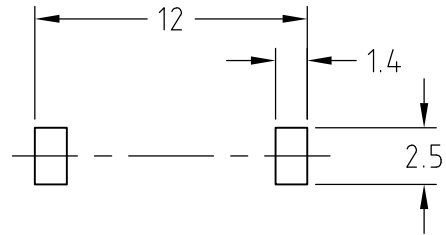
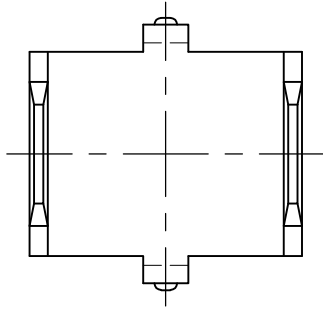
REVISIONS					
P	LTR	DESCRIPTION	DATE	DWN	APVD
	B1	REVISED PER ECO-10-000443	18JAN10	KK	HMR
	B2	REVISED PER ECR-20-005366	21APR2020	SS	DL

注記：  
1. 本製品の旧管理型番は3111-0である。

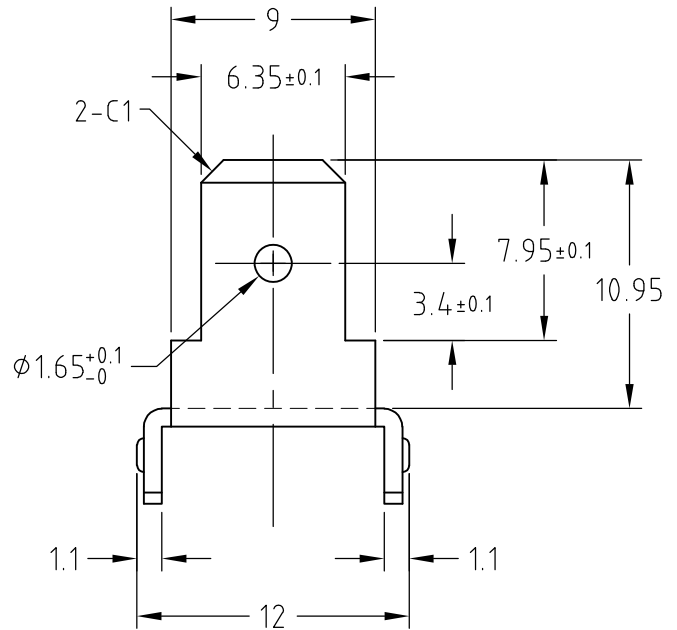
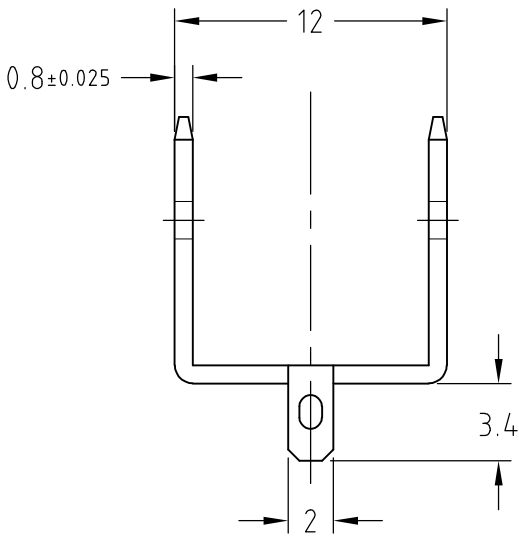
本図-1を示す。  
AS SHOWN-1

NOTE:  
1. THE FORMER P/N OF THIS PRODUCT:3111-0

△ OBSOLETE PARTS: OBSOLETE CIS STREAMLINING PER D.RENAUD/D.SINISI



参考:取付基板穴寸法  
(NOTE: APPLICABLE P.C.B LAY OUT)



△ 2	OBSOLETE	BRASS WITH TIN PLATING	—1565047-1—
		MATERIAL AND FINISH	PART NUMBER

TE Connectivity. All Rights Reserved.

©

DIMENSIONS: mm	DWN	26NOV01	MATERIAL	SEE TABLE	FINISH	SEE TABLE
	CHK	26NOV01	TE Connectivity Ltd.			
TOLERANCES UNLESS OTHERWISE SPECIFIED:	APVD	26NOV01				
	PRODUCT SPEC		NAME	250 SERIES TAB (TYPE K)		
0 PLC ± ±0.2 1 PLC ± ±0.2 2 PLC ANGLES ±3° 3 PLC ± ±3° 4 PLC ANGLES ± ±	APPLICATION SPEC		SIZE	CAGE CODE	DRAWING NO	RESTRICTED TO
	WEIGHT		A4	00779	1565047	—
CUSTOMER DRAWING			SCALE	3:1	SHEET	1 OF 7
					REV	B2

REVISIONS					
P	LTR	DESCRIPTION	DATE	DWN	APVD
-	-	SEE SHEET 1	-	-	-

本図-2示す。  
AS SHOWN-2

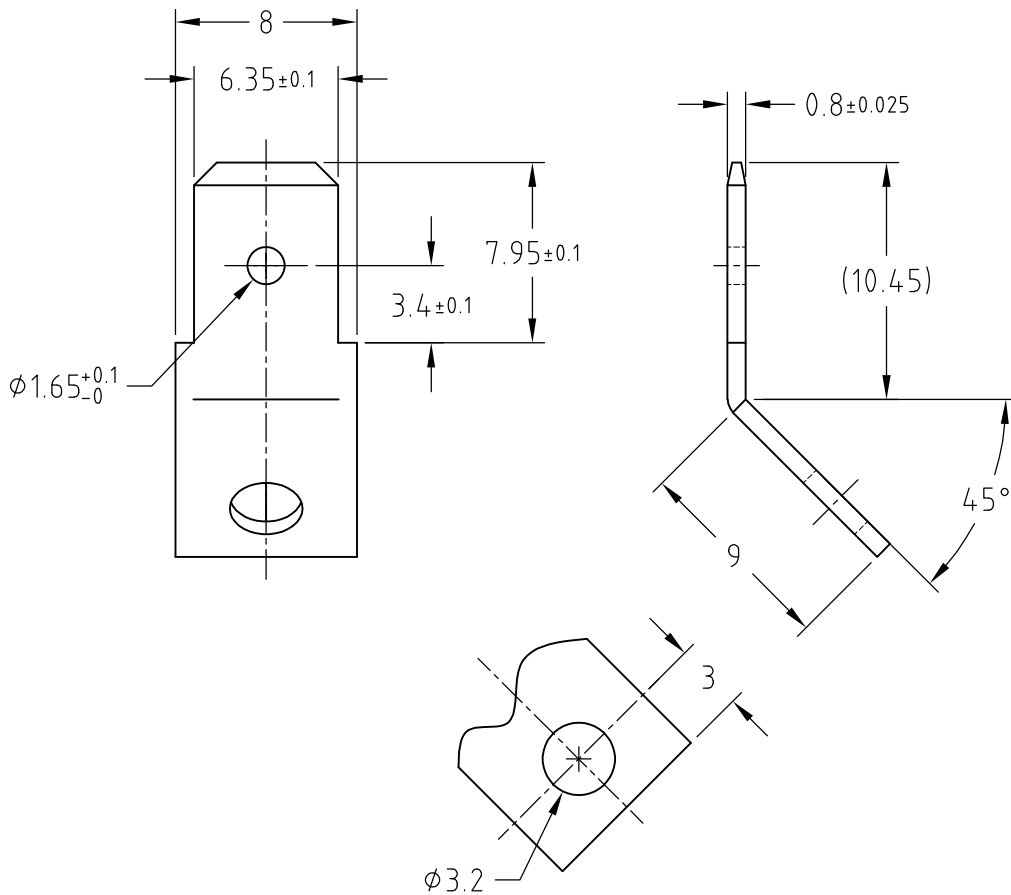
注記:

1. 本製品の旧管理型番は3149-0である。

NOTE:

1. THE FORMER P/N OF THIS PRODUCT:3149-0

 OBSOLETE PART



	BRASS WITH TIN PLATING	<del>1565047-2</del>
	MATERIAL AND FINISH	PART NUMBER

TE Connectivity. All Rights Reserved.

DIMENSIONS: mm	
TOLERANCES UNLESS OTHERWISE SPECIFIED:	
0 PLC	± ±0.2
1 PLC	± ±0.2
2 PLC	± ±0.2
3 PLC	ANGLES ±3°
4 PLC	± ±
ANGLES	± ±

DWN	Y,YAMADA	26NOV01
CHK	M.SHINDO	26NOV01
APVD	M.SHINDO	26NOV01
PRODUCT SPEC		
APPLICATION SPEC		
WEIGHT		

MATERIAL	SEE TABLE	FINISH	SEE TABLE
		TE Connectivity Ltd.	
NAME 250 シリーズ タブ (TYPE K) 250 SERIES TAB (TYPE K)			
SIZE	A4	CAGE CODE	00779
DRAWING NO	C-1565047		RESTRICTED TO
CUSTOMER DRAWING		SCALE	3:1
		SHEET	2 OF 7
		REV	B2

REVISIONS					
P	LTR	DESCRIPTION	DATE	DWN	APVD
-	-	SEE SHEET 1	-	-	-

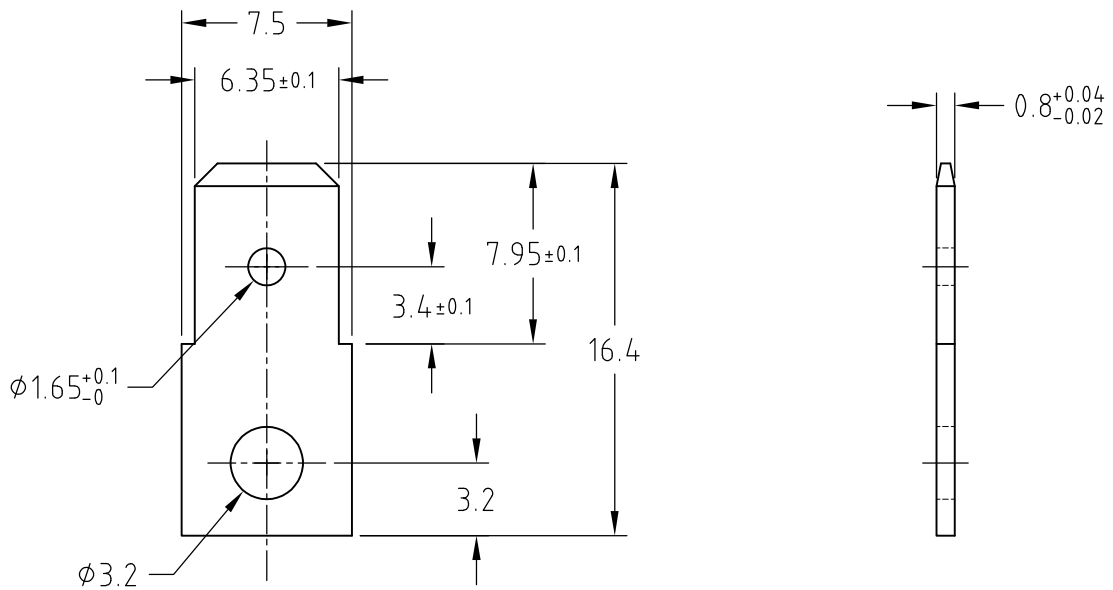
本図-3を示す。  
AS SHOWN-3

注記:

1. 本製品の旧管理型番は3158-0である。

NOTE:

1. THE FORMER P/N OF THIS PRODUCT:3158-0



TE Connectivity. All Rights Reserved.

1

©

BRASS WITH TIN PLATING	1565047-3
MATERIAL AND FINISH	PART NUMBER

DIMENSIONS: mm	DWN Y.YAMADA	26NOV01	MATERIAL SEE TABLE	FINISH SEE TABLE
	CHK M.SHINDO	26NOV01	TE Connectivity Ltd.	
TOLERANCES UNLESS OTHERWISE SPECIFIED:	APVD M.SHINDO	26NOV01		
	0 PLC ± ±0.2 1 PLC ± ±0.2 2 PLC ANGLES ±3° 3 PLC ANGLES ±3° 4 PLC ANGLES ± ±	PRODUCT SPEC		SIZE A4
	APPLICATION SPEC		DRAWING NO 1565047	RESTRICTED TO -
	WEIGHT		CUSTOMER DRAWING	
SCALE 3:1			SHEET 3 OF 7	REV B2

REVISIONS					
P	LTR	DESCRIPTION	DATE	DWN	APVD
-	-	SEE SHEET 1	-	-	-

本図-4を示す。  
AS SHOWN-4

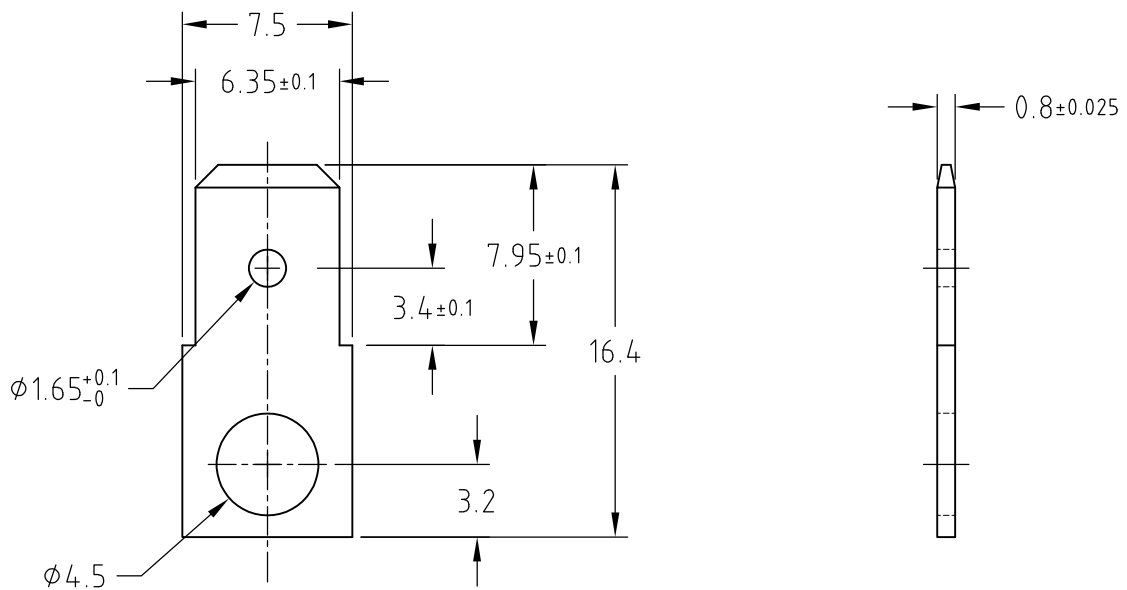
注記:

1. 本製品の旧管理型番は3170-0である。

NOTE:

1. THE FORMER P/N OF THIS PRODUCT:3170-0


△ OBSOLETE PARTS: OBSOLETE CIS STREAMLINING PER D.RENAUD/D.SINISI



△ 2	OBSOLETE	BRASS WITH TIN PLATING	<del>1565047-4</del>
		MATERIAL AND FINISH	PART NUMBER

TE Connectivity. All Rights Reserved.

©

DIMENSIONS: mm	DWN Y.YAMADA	26NOV01	MATERIAL SEE TABLE	FINISH SEE TABLE
	CHK M.SHINDO	26NOV01	 TE Connectivity Ltd.	
TOLERANCES UNLESS OTHERWISE SPECIFIED:	APVD M.SHINDO	26NOV01		
	0 PLC ± ±0.2	PRODUCT SPEC APPLICATION SPEC WEIGHT		250 SERIES TAB (TYPE K)
1 PLC ± ±0.2	SIZE A4			CAGE CODE 00779
2 PLC ANGLES ±3°	CUSTOMER DRAWING			
3 PLC ANGLES ±	SCALE 3:1			SHEET 4 OF 7
4 PLC ANGLES ±				REV B2

REVISIONS					
P	LTR	DESCRIPTION	DATE	DWN	APVD
-	-	SEE SHEET 1	-	-	-

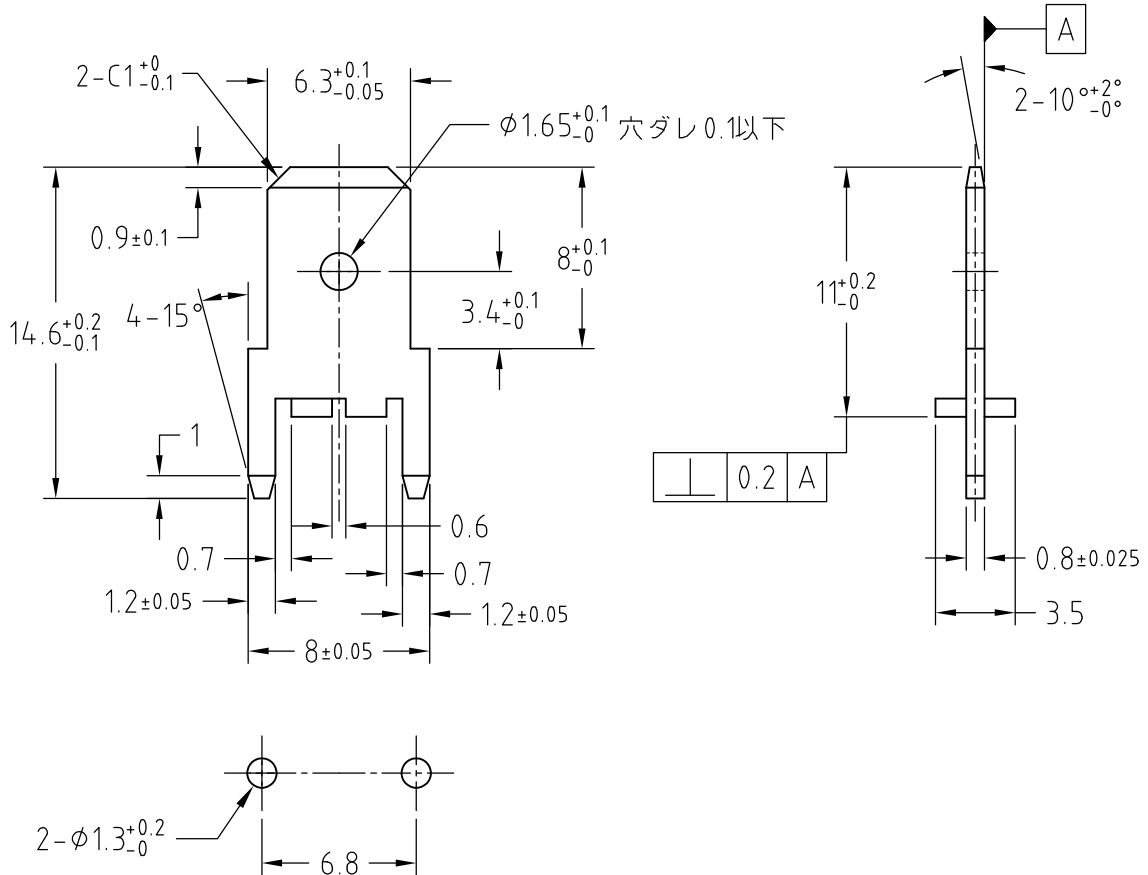
本図-5を示す。  
AS SHOWN-5

注記:

1. 本製品の旧管理型番は3191-0である。

NOTE:


1. THE FORMER P/N OF THIS PRODUCT:3191-0



参考:取付基板穴寸法  
(NOTE: APPLICABLE P.C.B LAY OUT)

TE Connectivity. All Rights Reserved.

BRASS WITH TIN PLATING	1565047-5
MATERIAL AND FINISH	PART NUMBER

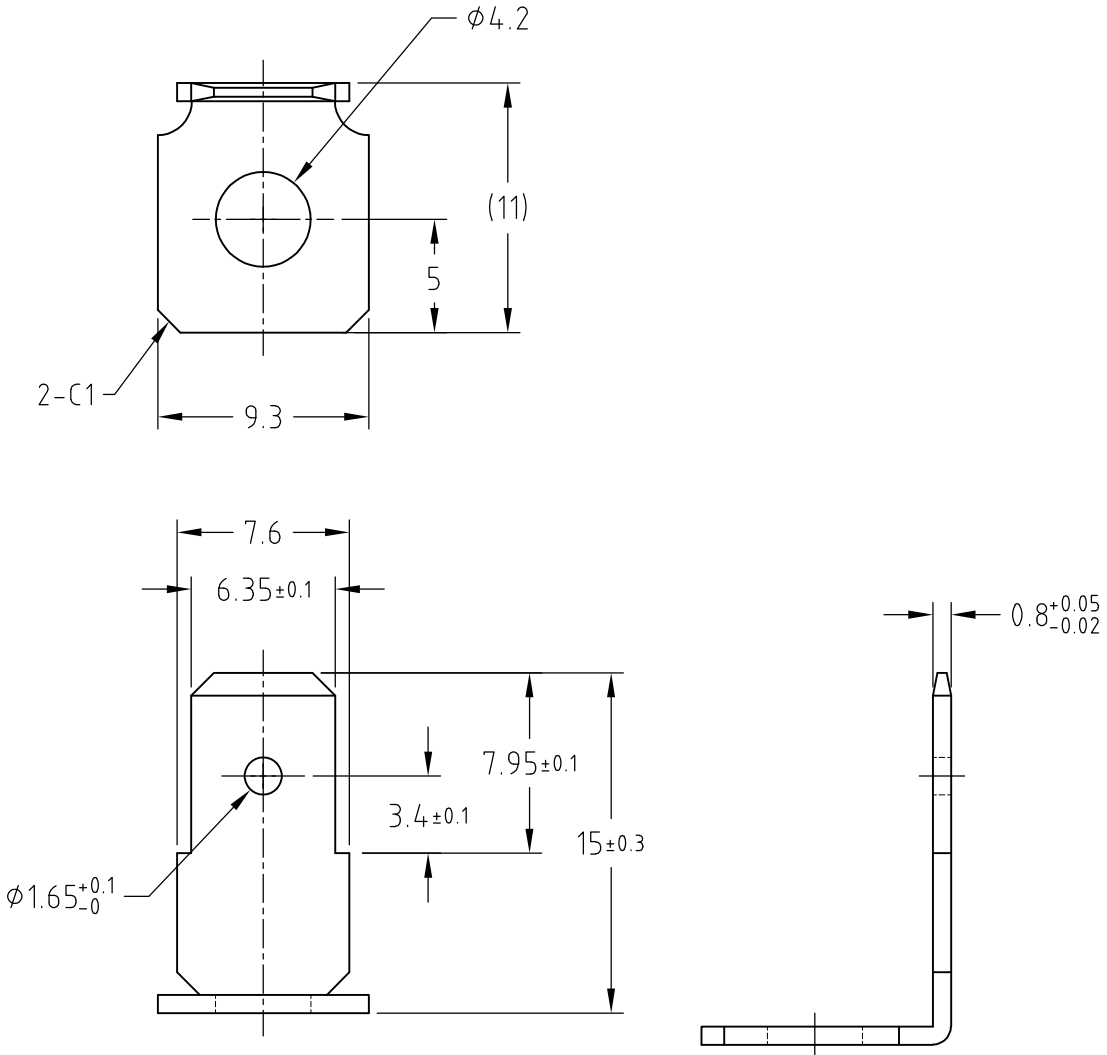
DIMENSIONS: mm	DWN Y,YAMADA	26NOV01	MATERIAL SEE TABLE	FINISH SEE TABLE
	CHK M.SHINDO	26NOV01	 TE Connectivity Ltd.	
TOLERANCES UNLESS OTHERWISE SPECIFIED:	APVD M.SHINDO	26NOV01		
0 PLC ± ±0.2	PRODUCT SPEC APPLICATION SPEC WEIGHT		SIZE A4	CAGE CODE 00779
1 PLC ± ±0.2			DRAWING NO C-1565047	RESTRICTED TO -
2 PLC ANGLES ±3°	CUSTOMER DRAWING		SCALE 3:1	SHEET 5 OF 7
3 PLC ANGLES ±			REV B2	

REVISIONS					
P	LTR	DESCRIPTION	DATE	DWN	APVD
-	-	SEE SHEET 1	-	-	-

注記：  
1. 本製品の旧管理型番は4721-4である。


本図-6を示す。  
AS SHOWN-6

NOTE:  
1. THE FORMER P/N OF THIS PRODUCT:4721-4



TE Connectivity. All Rights Reserved.

BRASS WITH TIN PLATING	1565047-6
MATERIAL AND FINISH	PART NUMBER

DIMENSIONS: mm	DWN Y.YAMADA	26NOV01	MATERIAL SEE TABLE	FINISH SEE TABLE
	CHK M.SHINDO	26NOV01	 TE Connectivity Ltd.	
TOLERANCES UNLESS OTHERWISE SPECIFIED:	APVD M.SHINDO	26NOV01		
	0 PLC $\pm \pm 0.2$	PRODUCT SPEC APPLICATION SPEC WEIGHT		RESTRICTED TO -
1 PLC $\pm$	SIZE A4			CAGE CODE 00779
2 PLC ANGLES $\pm 3^\circ$	CUSTOMER DRAWING		SCALE 3:1	SHEET 6 OF 7
3 PLC ANGLES $\pm$			REV B2	
4 PLC ANGLES $\pm$				

REVISIONS					
P	LTR	DESCRIPTION	DATE	DWN	APVD
-	-	SEE SHEET 1	-	-	-

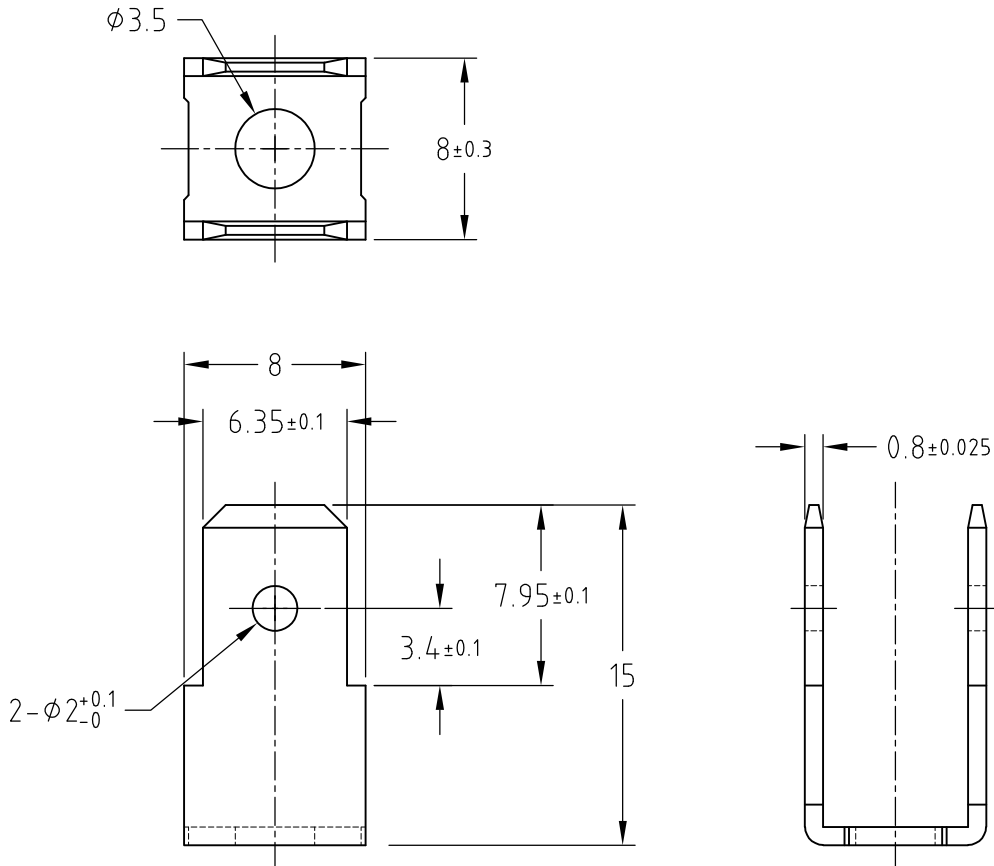
本図-7を示す。  
AS SHOWN-7

注記:

1. 本製品の旧管理型番は4995-0である。

NOTE:

1. THE FORMER P/N OF THIS PRODUCT:4995-0




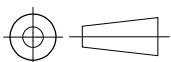
TE Connectivity. All Rights Reserved.

1

©

BRASS WITH TIN PLATING	1565047-7
MATERIAL AND FINISH	PART NUMBER

DIMENSIONS: mm	DWN Y.YAMADA	26NOV01	MATERIAL SEE TABLE	FINISH SEE TABLE		
	CHK M.SHINDO	26NOV01	 TE Connectivity Ltd.			
TOLERANCES UNLESS OTHERWISE SPECIFIED:	APVD M.SHINDO	26NOV01			NAME 250 シリーズ タブ (TYPE K) 250 SERIES TAB (TYPE K)	
	0 PLC $\pm \pm 0.2$	PRODUCT SPEC APPLICATION SPEC WEIGHT		SIZE A4	CAGE CODE 00779	DRAWING NO C-1565047
1 PLC $\pm \pm$	SCALE 3:1			SHEET 7 OF 7	REV B2	
2 PLC ANGLES $\pm 3^\circ$	CUSTOMER DRAWING					
3 PLC ANGLES $\pm$						
4 PLC ANGLES $\pm$						



单击下面可查看定价，库存，交付和生命周期等信息

[>>TE Connectivity\(泰科\)](#)