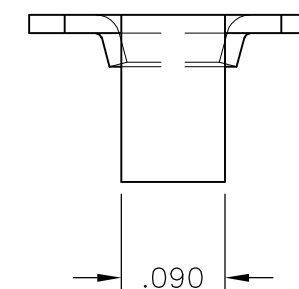
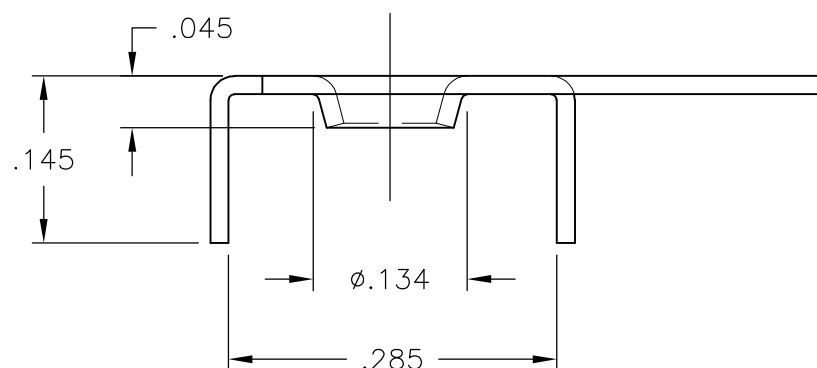
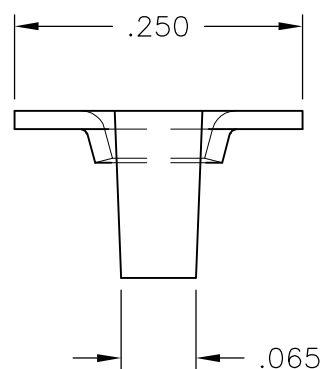
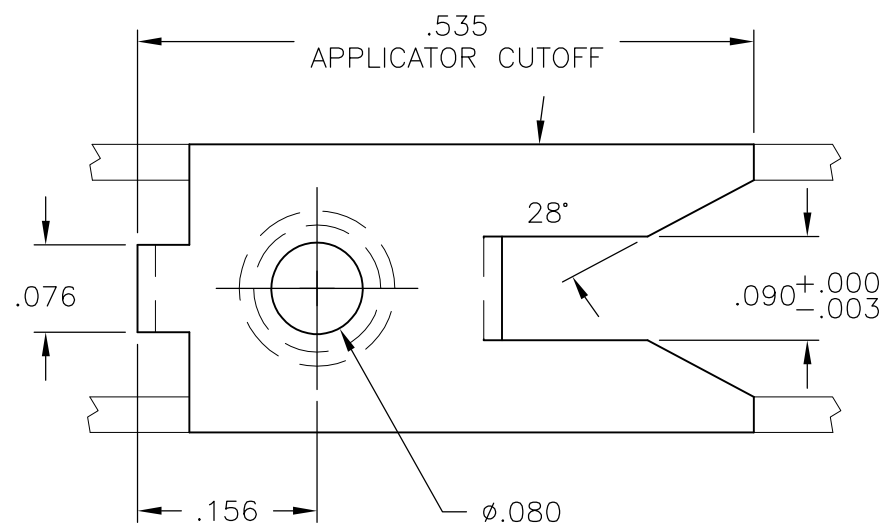


THIS DRAWING IS UNPUBLISHED. RELEASED FOR PUBLICATION  
 © COPYRIGHT BY TYCO ELECTRONICS CORPORATION. ALL INTERNATIONAL RIGHTS RESERVED.

LOC	DIST	REVISIONS			
P	LTR	DESCRIPTION	DATE	DWN	APVD
	F	REVISED PER ECO-09-010589	5/1/09	SS	MS

- 1. MATERIAL: .0157 THK BRASS.
- 2. COPPER FLASH .000100 MIN OVER BRASS PART.
- 3. TIN PLATING .000080 MIN THK



61480-2  
 PART NUMBER

THIS DRAWING IS A CONTROLLED DOCUMENT.		DWN S SCHLEGEL 09APR2009	Tyco Electronics Corporation Harrisburg, PA 17105-3608		
DIMENSIONS: INCHES	TOLERANCES UNLESS OTHERWISE SPECIFIED:	CHK M STRECKEWALD 4/9/09	NAME PHASING LINE CLIP		
	0 PLC ± -	APVD M STRECKEWALD 4/9/09	PRODUCT SPEC		
	1 PLC ± -	PRODUCT SPEC	-		
MATERIAL	2 PLC ± .02	APPLICATION SPEC	-		
	3 PLC ± .010	WEIGHT	-		
FINISH	4 PLC ± -	CUSTOMER DRAWING	SIZE A3	CAGE CODE 00779	DRAWING NO C-61480
	ANGLES ± 2'	SCALE 6:1	SHEET 1 OF 2	RESTRICTED TO	REV F

THIS DRAWING IS UNPUBLISHED.

RELEASED FOR PUBLICATION

---

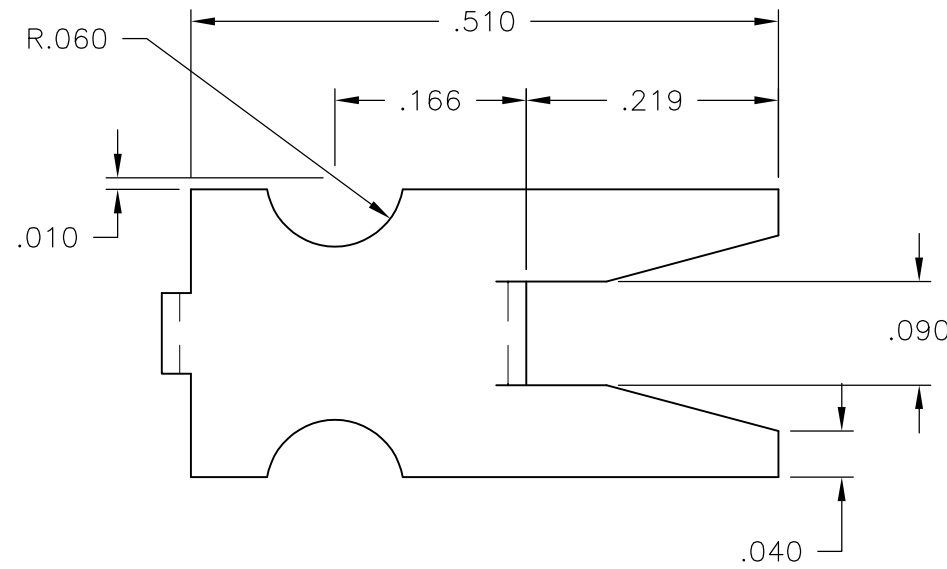
LOC

DIST

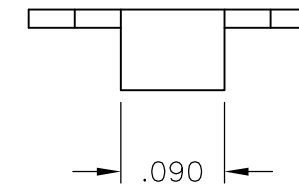
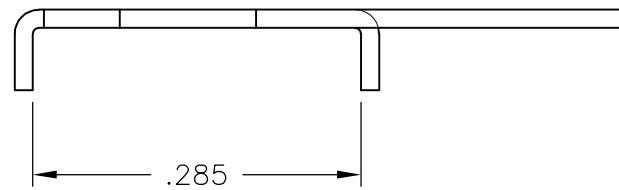
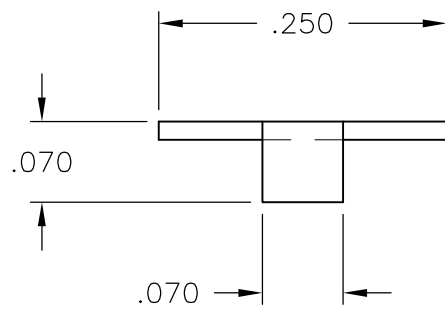
REVISIONS

© COPYRIGHT - BY TYCO ELECTRONICS CORPORATION. ALL INTERNATIONAL RIGHTS RESERVED.

P	LTR	DESCRIPTION	DATE	DWN	APVD
-	-	SEE SHEET 1	-	-	-



SUPERSEDED BY  
1986550-1



4 SUPERCEDED BY 1986550-1 61480-3

PART  
NUMBER

THIS DRAWING IS A CONTROLLED DOCUMENT.

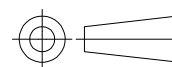
DWN S SCHLEGEL 09APR2009



Tyco Electronics Corporation  
Harrisburg, PA 17105-3608

DIMENSIONS:  
INCHES

TOLERANCES UNLESS  
OTHERWISE SPECIFIED:



0 PLC ± -  
1 PLC ± -  
2 PLC ± .02  
3 PLC ± .010  
4 PLC ± -  
ANGLES ± 2'

CHK M STRECKEWALD 4/9/09

APVD M STRECKEWALD 4/9/09

NAME PHASING LINE CLIP

PRODUCT SPEC

APPLICATION SPEC

SIZE CAGE CODE DRAWING NO RESTRICTED TO

MATERIAL

FINISH

WEIGHT

A3 00779 C-61480

CUSTOMER DRAWING

SCALE 6:1

SHEET 2 OF 2

REV F

单击下面可查看定价，库存，交付和生命周期等信息

[>>TE Connectivity\(泰科\)](#)