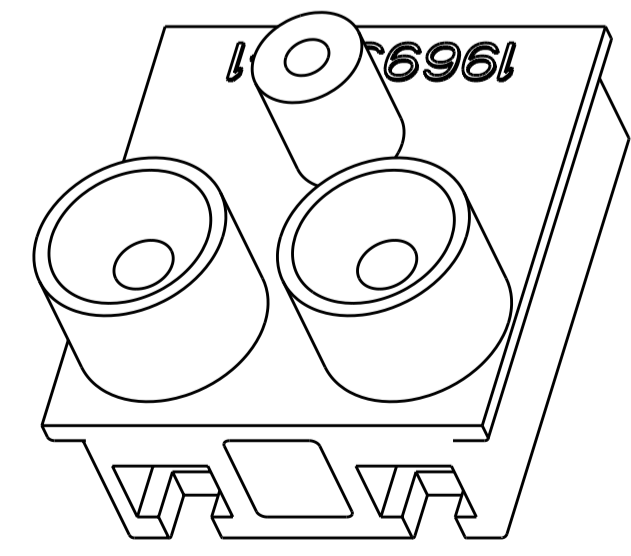
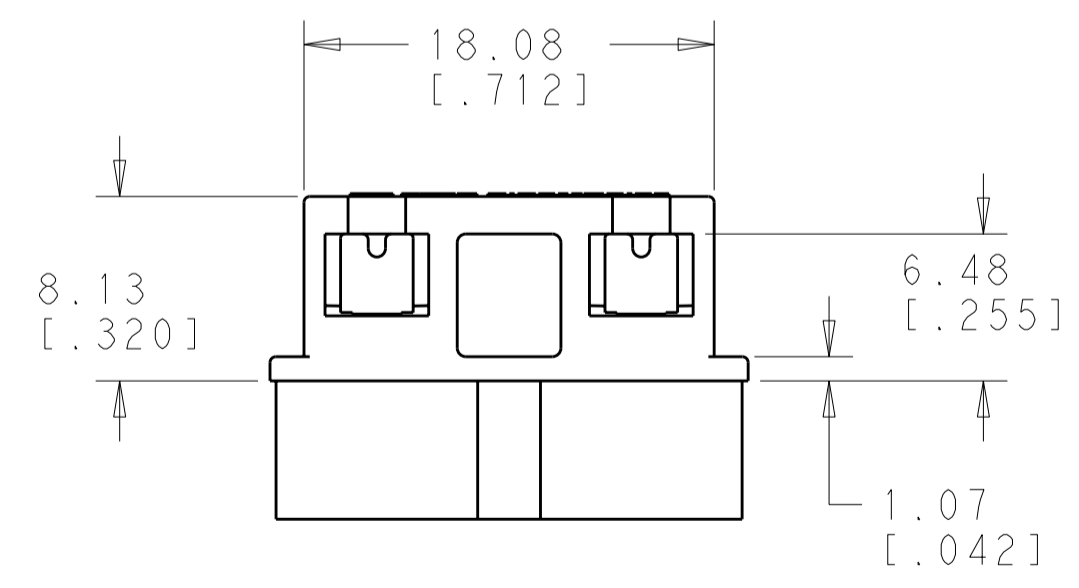
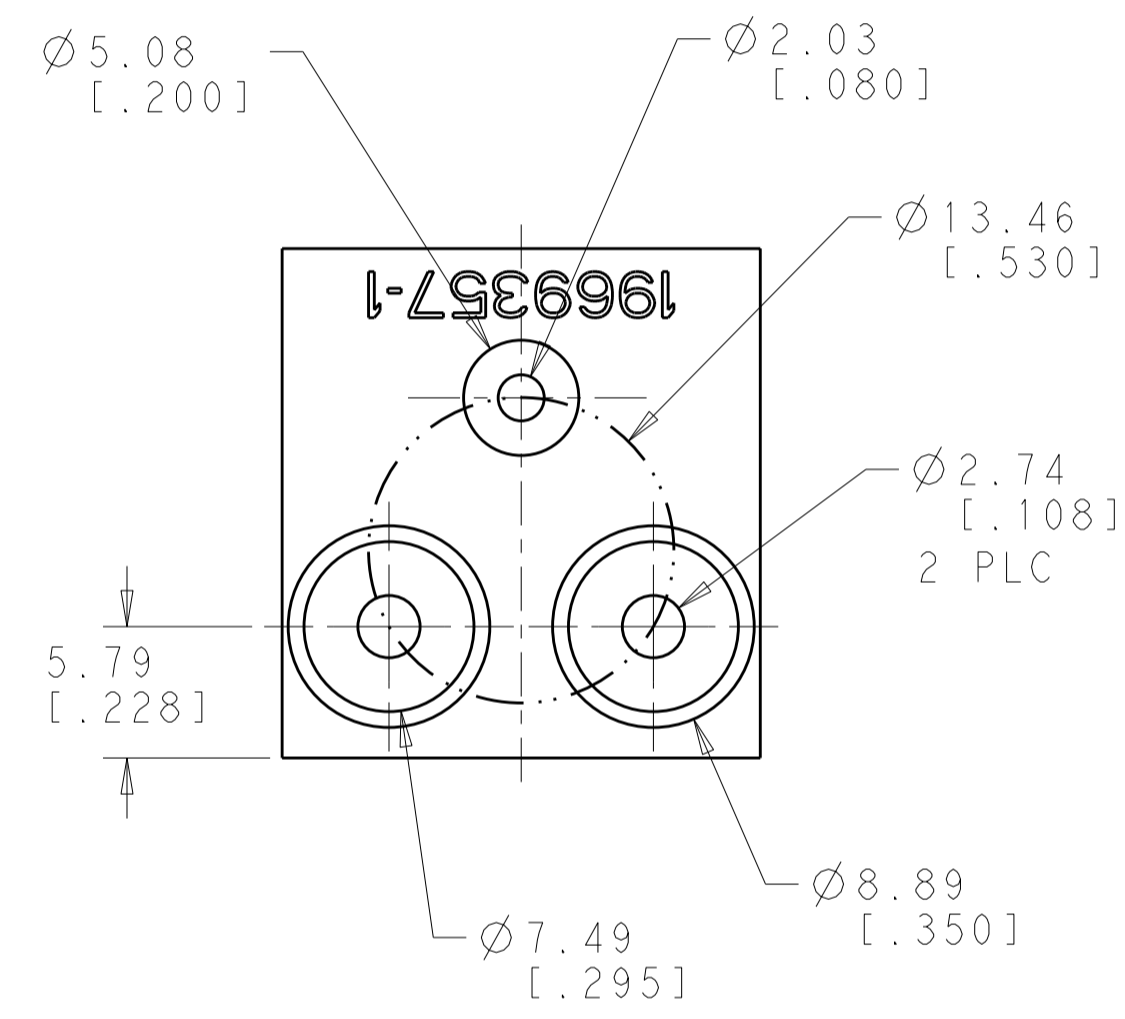
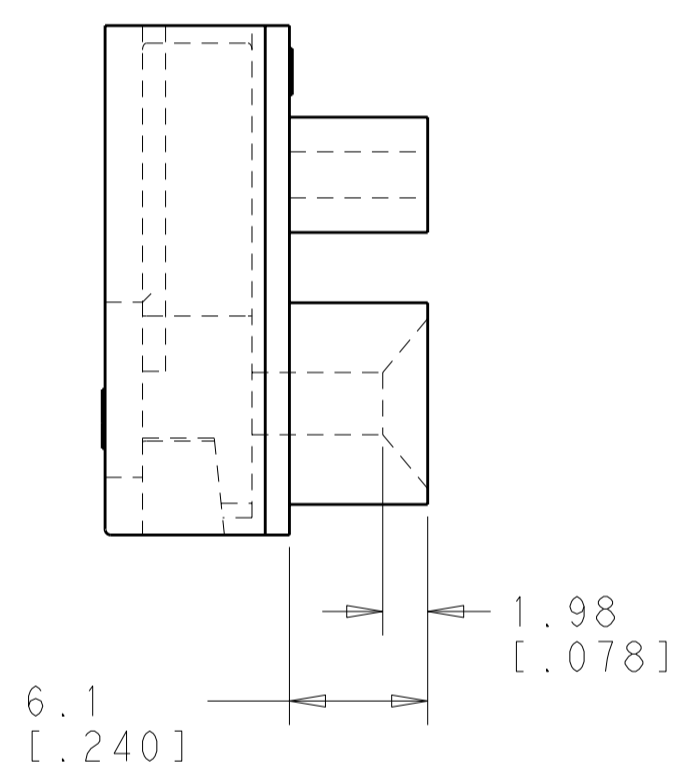
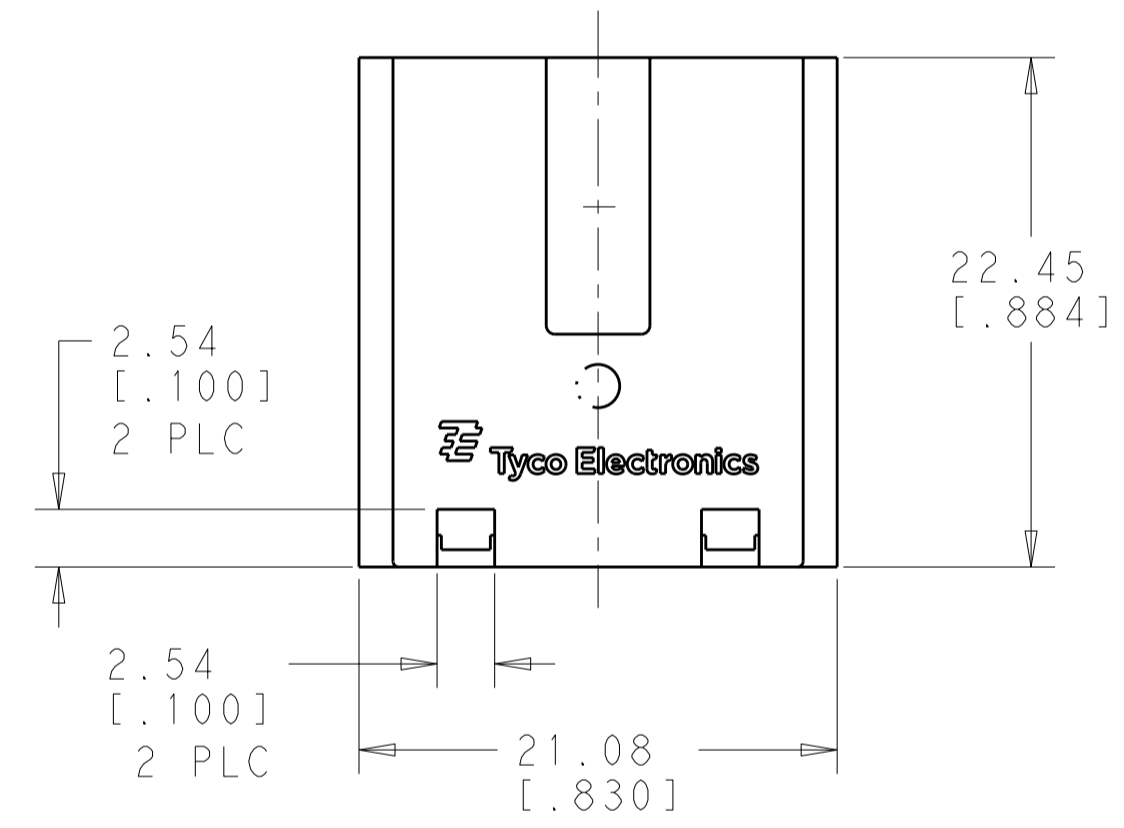
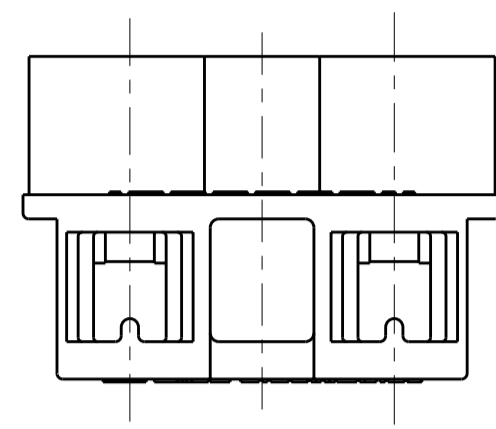


THIS DRAWING IS UNPUBLISHED. RELEASED FOR PUBLICATION 20
 © COPYRIGHT 20 BY TYCO ELECTRONICS CORPORATION. ALL INTERNATIONAL RIGHTS RESERVED.

LOC		DIST		REVISIONS			
P	LTR	DESCRIPTION	DATE	DWN	APVD		
AF	50	A	DRAWN	04MAY12	JR	GJ	

△ HOUSING ACCEPTS TWO 2.3 [.090] DIA CLUSTERBLOCK RECEPTACLES.



1969357-1
PART NO.

THIS DRAWING IS A CONTROLLED DOCUMENT FOR TYCO ELECTRONICS CORPORATION. IT IS SUBJECT TO CHANGE AND THE CONTROLLING ENGINEERING ORGANIZATION SHOULD BE CONTACTED FOR THE LATEST REVISION.		DWN	JR RUTH	13APR10	Tyco Electronics Harrisburg, PA 17105-3608	
DIMENSIONS: MM [INCHES]		CHK	GENE JACONO	13APR10	NAME CLUSTERBLOCK HOUSING, 2.29 [.090] DIA, 2 POSITION	
TOLERANCES UNLESS OTHERWISE SPECIFIED: 0 PLC ± 1 PLC ±0.25 [.010] 2 PLC ±0.13 [.005] 3 PLC ± 4 PLC ± ANGLES ±		APVD	JEFF HUMMEL	13APR10	PRODUCT SPEC 108-2008	
MATERIAL PBT UNFILLED		APPLICATION SPEC 114-2019		WEIGHT -		SIZE A200779
COLOR-NATURAL		CUSTOMER DRAWING		SCALE 3:1		RESTRICTED TO -
				DRAWING NO C-1969357		SHEET 1 OF 1
				REV A		

单击下面可查看定价，库存，交付和生命周期等信息

[>>TE Connectivity\(泰科\)](#)