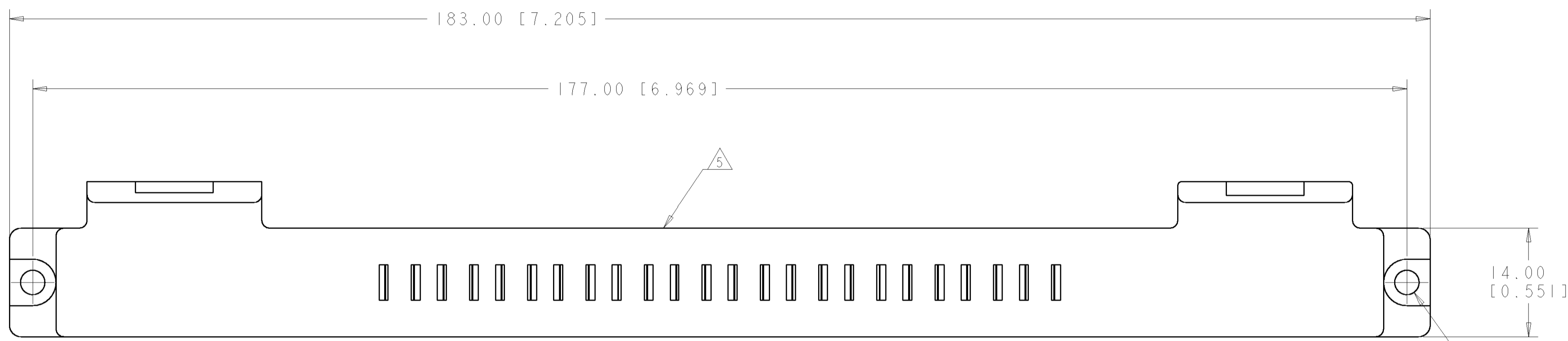


LOC		DIST		REVISIONS			
GP	00	P	LTR	DESCRIPTION	DATE	DWN	APVD
		A		RELEASED	14FEB2006	RG	PD

- PART NUMBER CHANGES AND OR DESIGN CHANGES AFFECTING ITEM INTERCHANGEABILITY REQUIRE PRIOR TYCO APPROVAL AND AUTHORIZATION BY REVISION TO THIS DRAWING.
- MATERIAL:
 - INSULATORS - THERMOPLASTIC, GLASS REINFORCED, COLOR: BLACK, UL94V-0 FLAMMABILITY RATED.
 - POWER CONTACTS - PHOSPHOR BRONZE ALLOY, COPPER ALLOY
 - SOLDER SIGNAL PINS-BRASS ALLOY
 - CROWN BAND-BERYLLIUM COPPER ALLOY

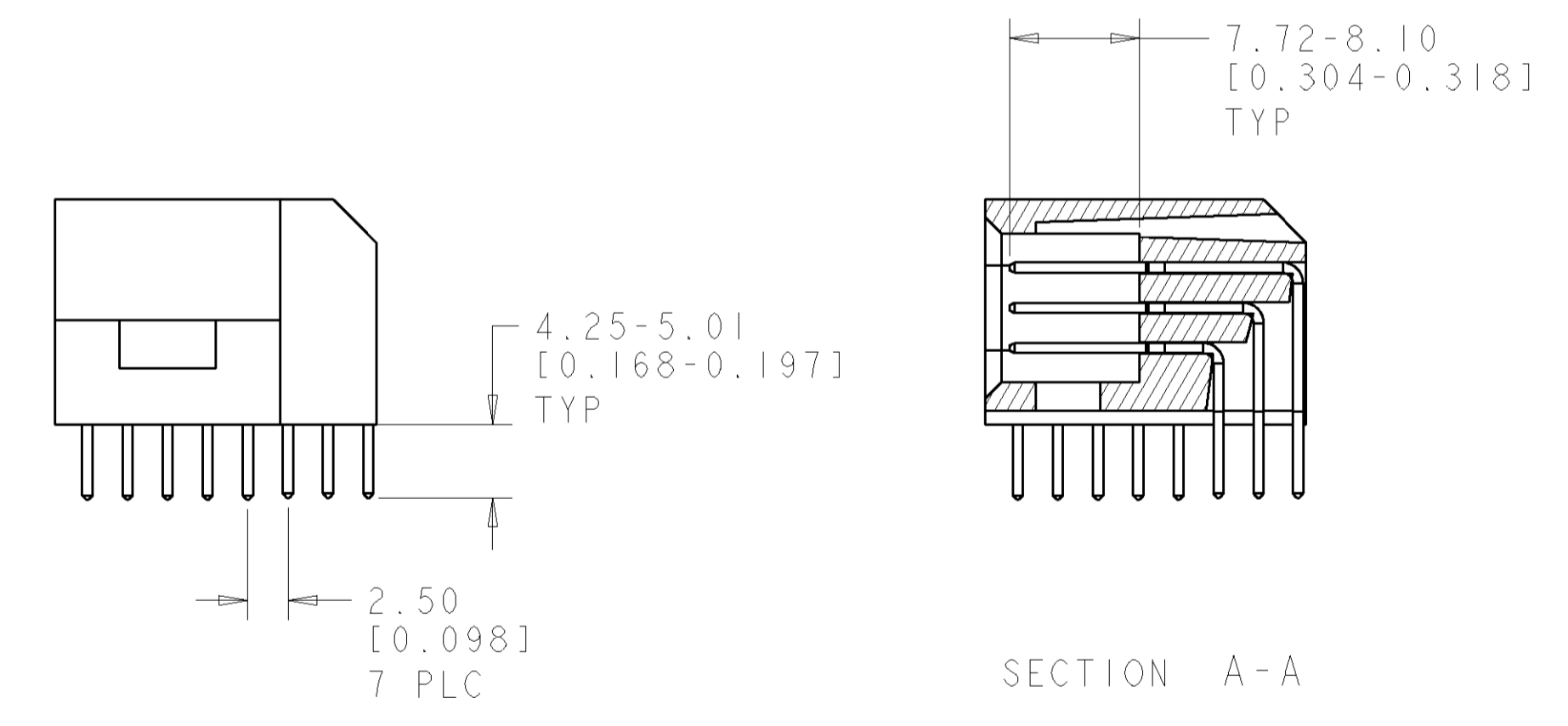
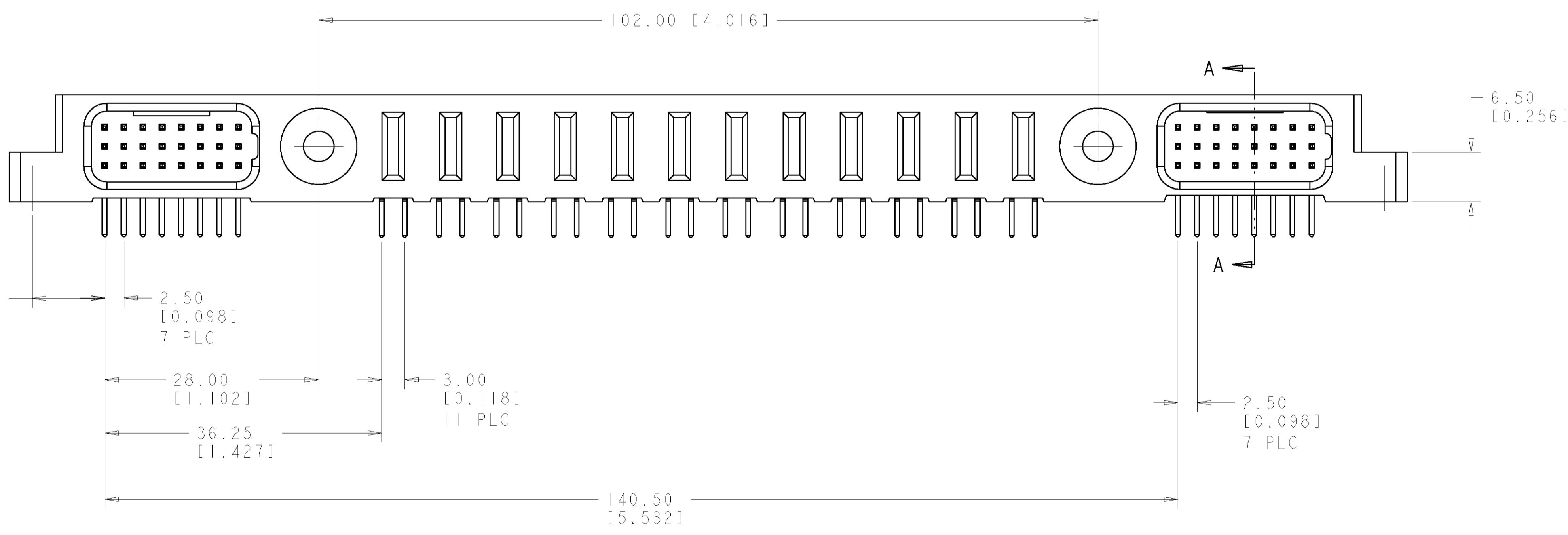


- FINISH:
 - CONTACTS - GOLD PLATE .000030 INCH MIN. THK., OVER NICKEL .000050 INCH MIN. THK
 - SOLDER TAILS, TIN .000100 INCH MIN. THK. OVER NICKEL .000040 MIN THK.

- MOUNTING FLANGES ACCEPT M3 OR #4-40 SCREWS, (USER SUPPLIED)
- ITEMS PROVIDED TO THIS SPECIFICATION TO BE PERMANENTLY IDENTIFIED PER THE FOLLOWING IDENTIFIER LABEL

YEAR WEEK
 TYCO PART NO. DATE CODE (e.g. 0106)
 XXXXXXXX-X XXXX

- REFERENCE ELCON SERIES 279-0273-10100



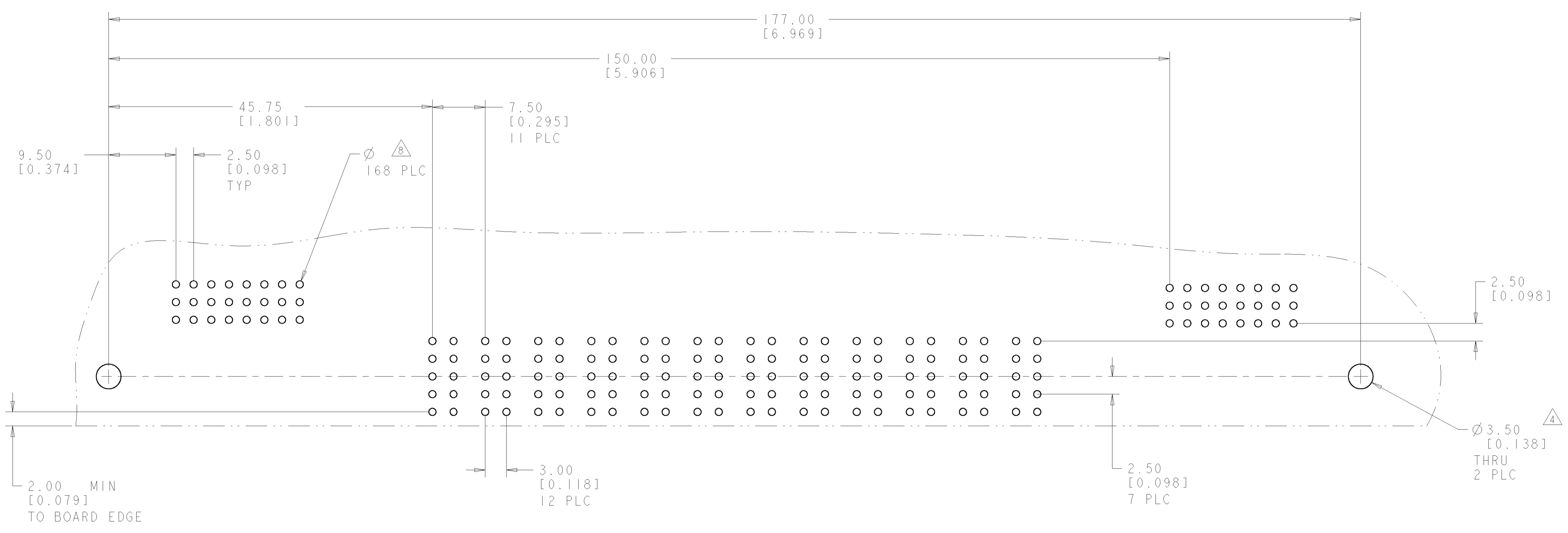
ELCON FLATPAQ

AS SHOWN	6646727-1
DESCRIPTION	PART NUMBER

DIMENSIONS: mm [INCHES] TOLERANCES UNLESS OTHERWISE SPECIFIED: 0 PLC ±.3 (.012) 1 PLC ±.15 (.006) 2 PLC ±.15 (.006) 3 PLC ±.15 (.006) 4 PLC ±.15 (.006) ANGLES ±.5		DWN: R. GRZYBOWSKI 19APR06 CHK: S. FLICKINGER 19APR06 APVD: S. FLICKINGER 19APR06	Tyco Electronics Harrisburg, PA 17105-3608
MATERIAL: -	FINISH: -	PRODUCT SPEC: -	NAME: PIN CONNECTOR, RIGHT ANGLE, SOLDER TAILS
CUSTOMER DRAWING		WEIGHT: -	SIZE: A 00779 C=6646727
		SCALE: 3:1	SHEET 1 OF 3 REV A

LOC	DIST	REVISIONS			
P	LTR	DESCRIPTION	DATE	DNW	APVD
-	-	SEE SHEET 1	-	-	-

CONNECTOR	EQUIVALENT CATALOG MODULE #	SIZE NO.	CONTACT QTY	MATING PIN	MAX. CURRENT (PER CONTACT)	CONTACT SPACING	VOLTAGE RATING	
PIN	DEDICATED HOUSING	POWER	8	12	1.25 X 7.00 [.049 X .276]	35 amps	7.50 [.2953]	250 VOLTS
		SIGNAL	22	48	.64 [.025] SQ.	3 amps	2.50 [.0984]	125 VOLTS
		LEFT MOUNTING FLANGE						
		RIGHT MOUNTING FLANGE						

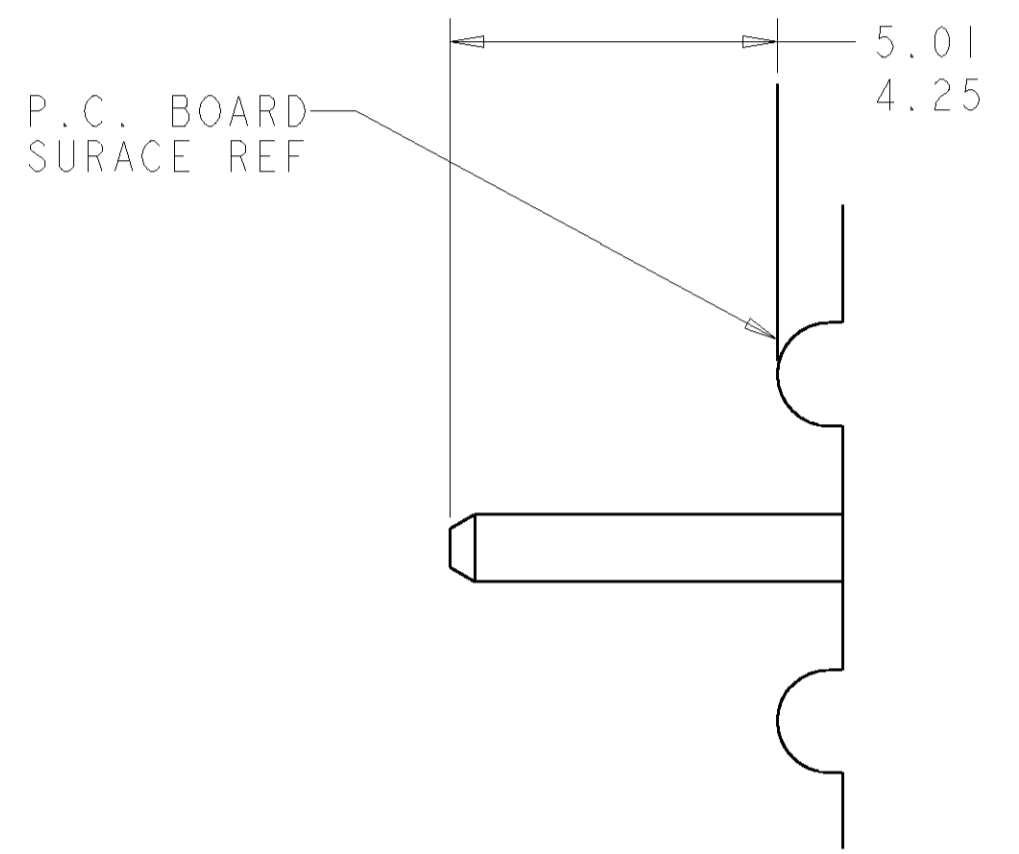


PRINTED CIRCUIT LAYOUT
 COMPONENT SIDE

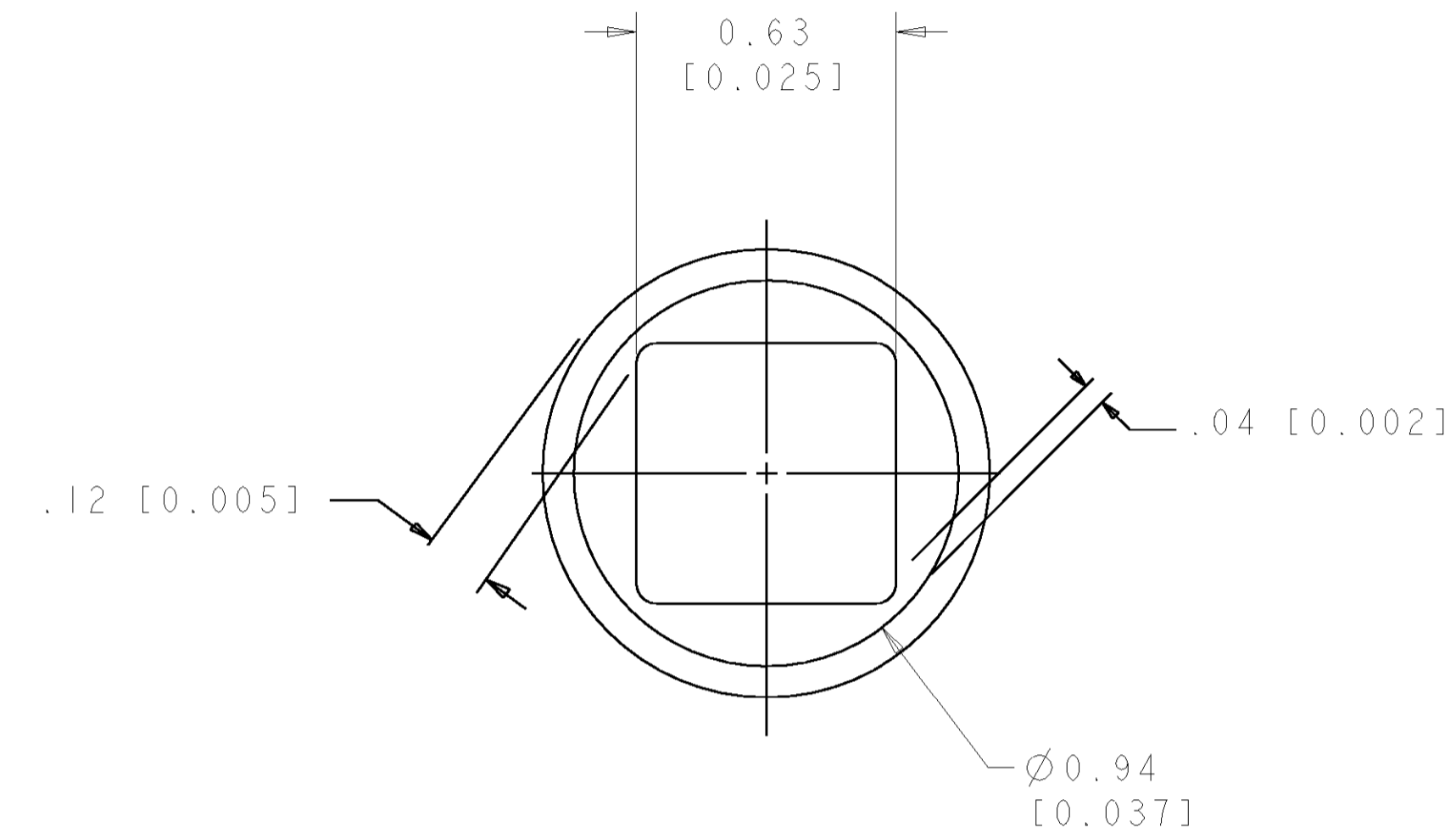
ELCON FLATPAQ

<small>THE DIMENSIONS TO DIMENSIONS SHOWN ARE THE REQUIREMENTS SPECIFICATION. THE DIMENSIONS TO DIMENSIONS SHOWN ARE THE REQUIREMENTS SPECIFICATION. THE DIMENSIONS TO DIMENSIONS SHOWN ARE THE REQUIREMENTS SPECIFICATION.</small>		DWN: B. GRZYBOWSKI 19APR06 CHK: S. FLICKINGER 19APR06 APVD: S. FLICKINGER 19APR06	tyco Tyco Electronics Harrisburg, PA 17105-3608
DIMENSIONS: mm [INCHES]	TOLERANCES UNLESS OTHERWISE SPECIFIED: 0 PLC ±.3 [.012] 1 PLC ±.15 [.006] 2 PLC ±.15 [.006] 3 PLC ±.15 [.006] 4 PLC ±.15 [.006] ANGLES ±.5	NAME: S. FLICKINGER PRODUCT SPEC: APPLICATION SPEC: WEIGHT:	NAME: PIN CONNECTOR, RIGHT ANGLE, SOLDER TAILS SIZE: A100779 CAGE CODE: 6646727 DRAWING NO: 6646727 RESTRICTED TO:
MATERIAL: -	FINISH: -	WEIGHT: -	SCALE: 3:1 SHEET 2 OF 3 REV A

LOC	DIST	REVISIONS			
P	LTR	DESCRIPTION	DATE	DNW	APVD
-	-	SEE SHEET 1	-	-	-



7. SOLDER PIN DETAIL
SCALE 10 : 1



△ SOLDER TERMINATION AREA
 SCALE 40:1
 RECOMMENDED PRINTED CIRCUIT SOLDER HOLE
 FINISHED HOLE: Ø1.02 [.040] ±.008 [.0003]
 DRILLED HOLE: Ø1.15 [.0453] ±.013 [.0005]
 COPPER PLATE: .025 [.0010] MIN.
 TIN PLATE: .008 [.0003] MIN. (PER SURFACE)

<small>THIS DRAWING IS UNPUBLISHED. RELEASED FOR PUBLICATION. ALL RIGHTS RESERVED. © 2000 BY TYCO ELECTRONICS CORPORATION.</small>		DWN: B. GRZYBOWSKI 19APR06 ENR: S. FLICKINGER 19APR06 APVD: S. FLICKINGER 19APR06	tyco Tyco Electronics Harrisburg, PA 17105-3608
DIMENSIONS: mm [INCHES]	TOLERANCES UNLESS OTHERWISE SPECIFIED: 0 PLC ±. 1 PLC ±.3 [.012] 2 PLC ±.15 [.006] 3 PLC ±0.000 4 PLC ±0.0000 ANGLES ±.5 FINISH -	NAME: S. FLICKINGER PRODUCT SPEC: - APPLICATION SPEC: - WEIGHT: - CUSTOMER DRAWING	PIN CONNECTOR, RIGHT ANGLE, SOLDER TAILS SIZE: A 00779 C=6646727 SCALE: 3:1 SHEET 3 OF 3 REV A

单击下面可查看定价，库存，交付和生命周期等信息

[>>TE Connectivity\(泰科\)](#)