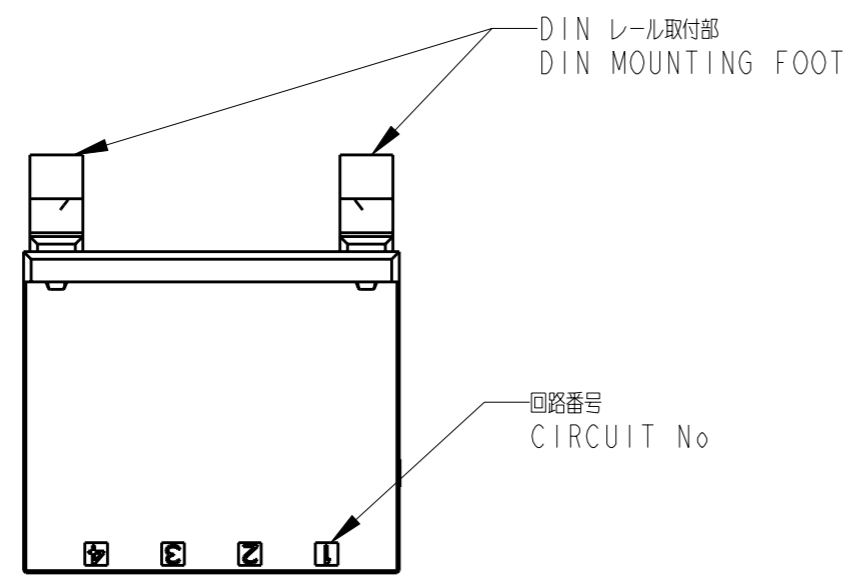
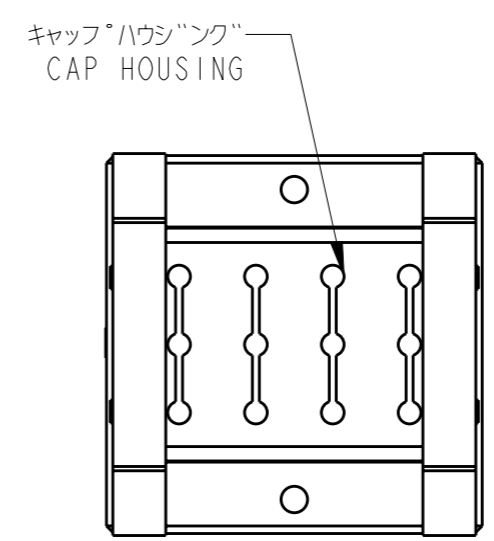
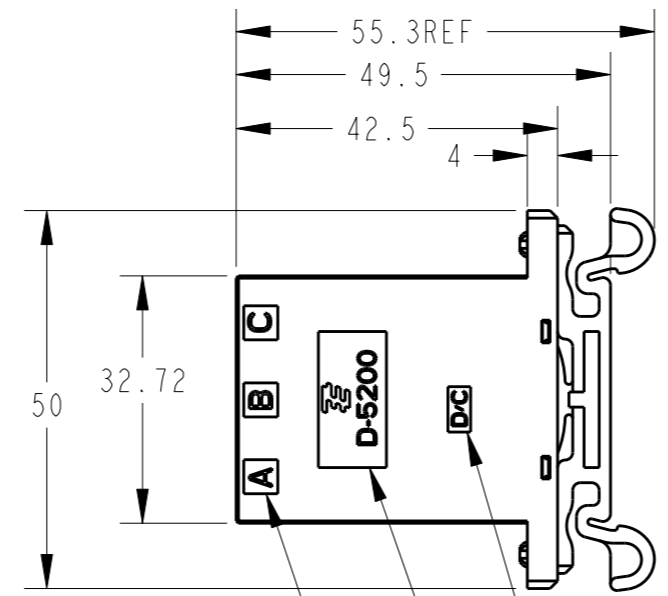
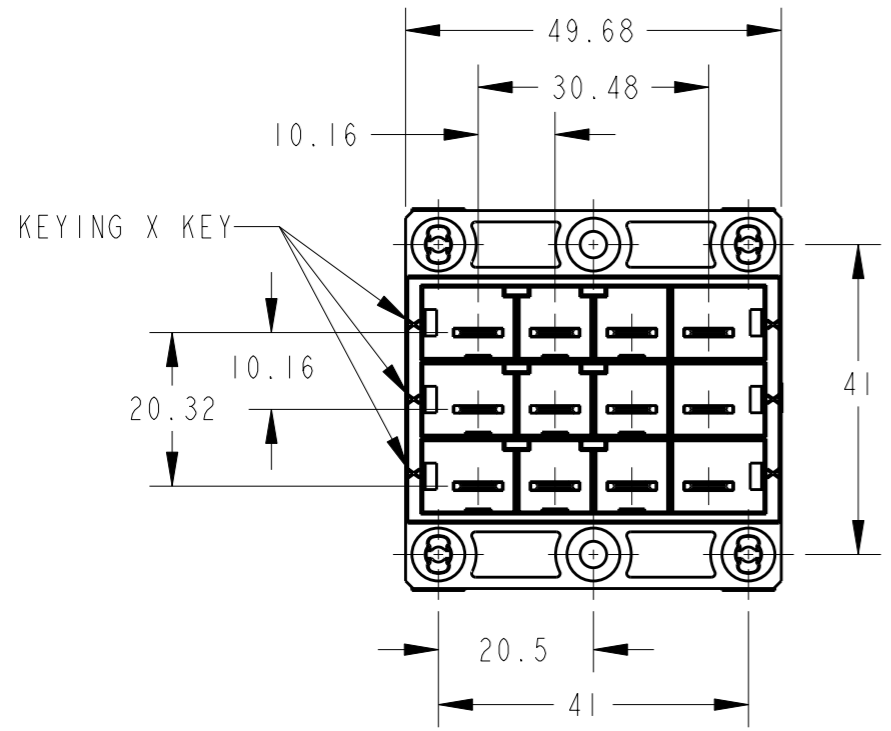
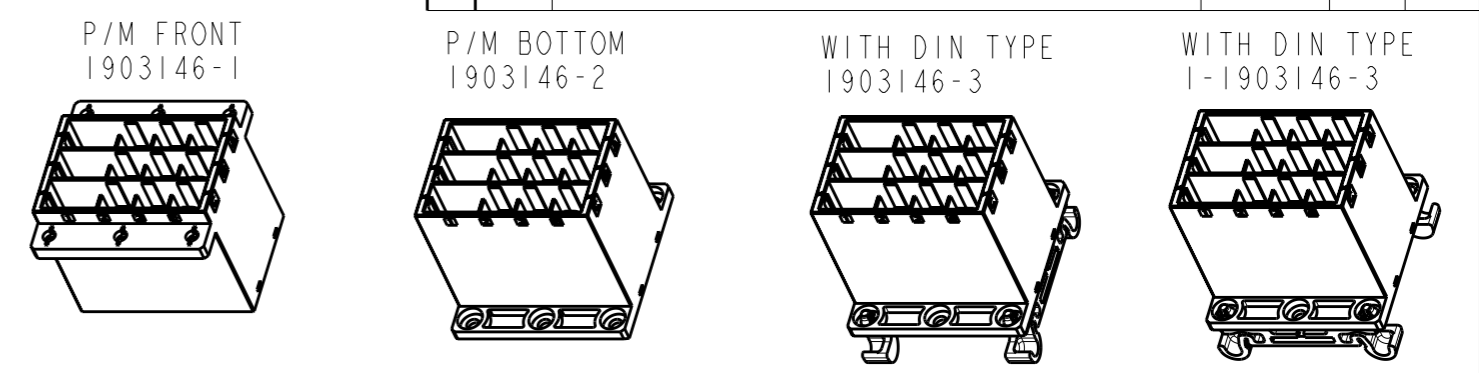


THIS DRAWING IS UNPUBLISHED. RELEASED FOR PUBLICATION 20
 © COPYRIGHT 20 BY TYCO ELECTRONICS CORPORATION. ALL RIGHTS RESERVED.

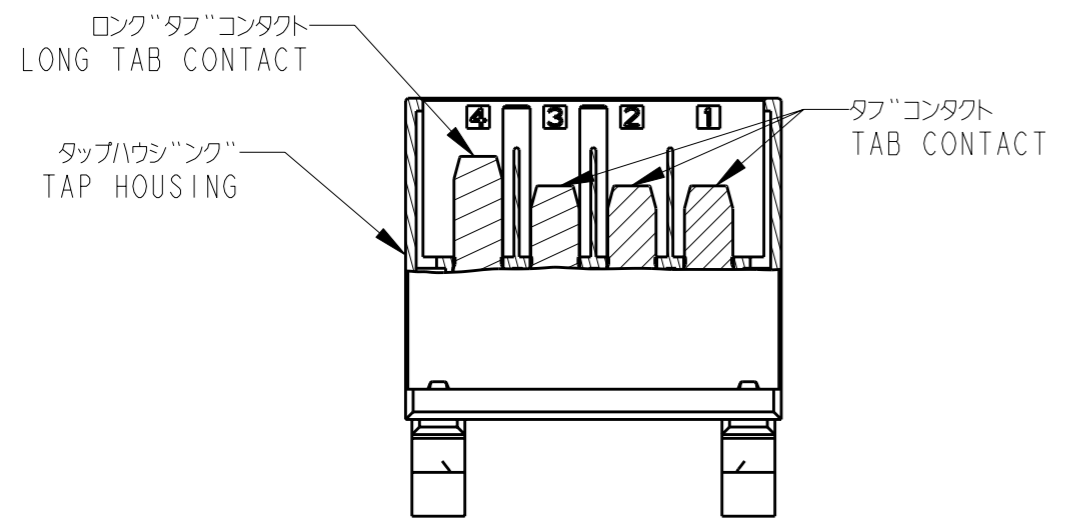
LOC	DIST	REVISIONS				
P	LTR	DESCRIPTION	DATE	DWN	APVD	
J	-	C	REVISED PER ECR-10-013244	10JUL2010	HMR	TM



AS SHOWN: 1903146-3
(WITH DIN TYPE)



- 注記
- 材料:ハウジング:熱可塑性ホリエステル樹脂 黒色
:DIN レール取付部:熱可塑性ホリエステル樹脂 黒色
:コンタクト:銅合金
 - メッキ:コンタクト:全面Ni下地1.3μmMIN.
接点部メッキ0.38μmMIN
 - DINレール取付適用幅は、35±0.3mmとする。

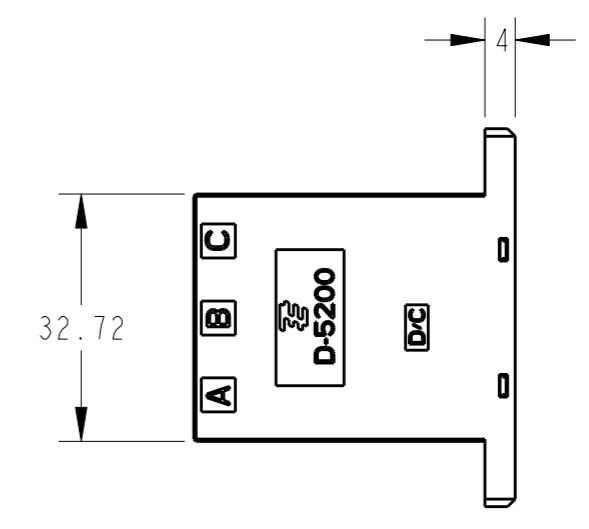
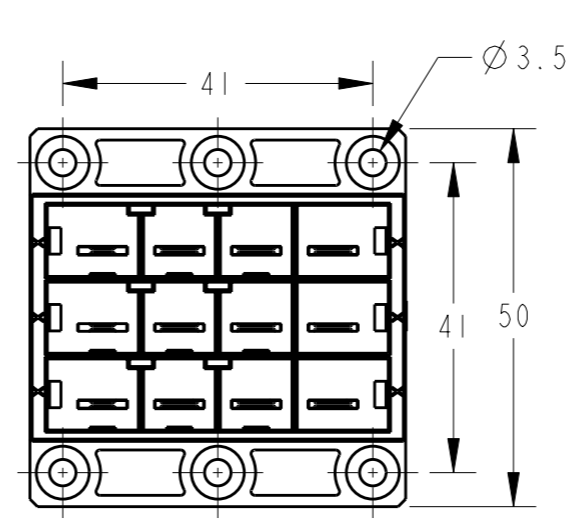
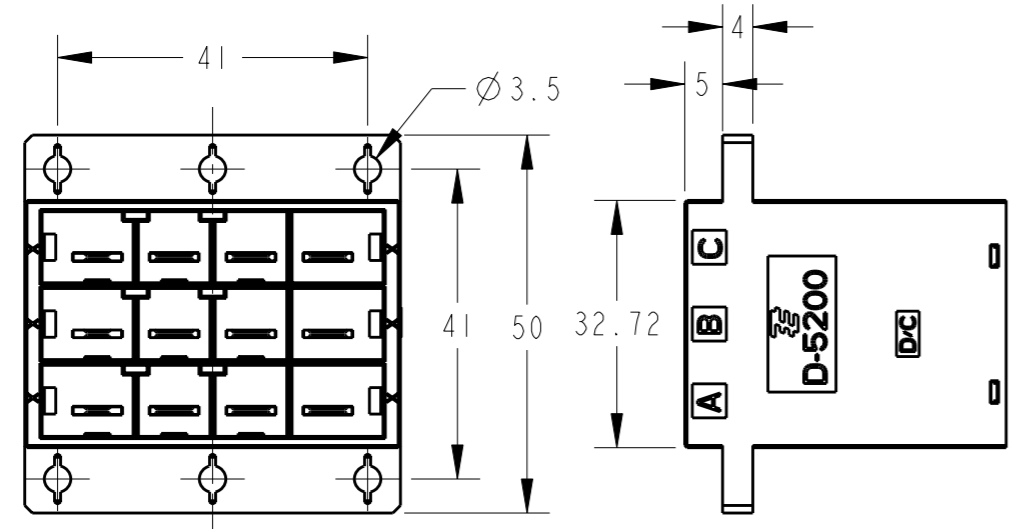
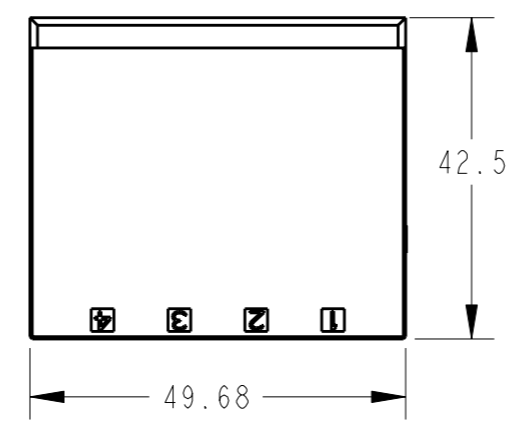
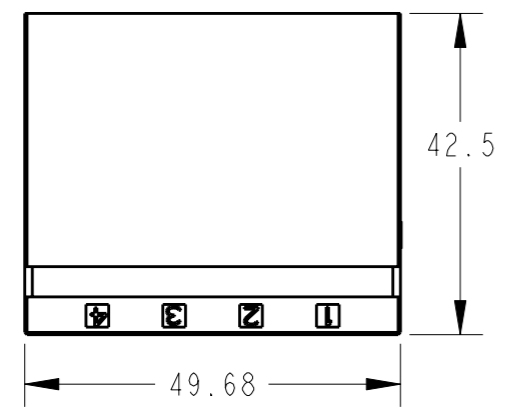


- NOTES
- MATERIAL
:HOUSING:GLASS FIELD THERMO PLASTIC,POLYESTER COLOR:BLACK
:DIN RAIL FOOT:GLASS FIELD THERMO PLASTIC,POLYESTER COLOR:BLACK
:CONTACT:COPPER ALLOY
 - FINISH
:UNDER PLATE:Ni 1.3μm MIN,CONTACT AREA:Au 0.38μm MIN
 - WIDTH OF DIN RAIL ATTACHMENT APPLICATION:35±0.3mm

THIS DRAWING IS A CONTROLLED DOCUMENT FOR TYCO ELECTRONICS CORPORATION IT IS SUBJECT TO CHANGE AND THE CONTROLLING ENGINEERING ORGANIZATION SHOULD BE CONTACTED FOR THE LATEST REVISION.		DWN T. Sakamoto	11OCT2006	Tyco Electronics AMP K.K. Kawasaki, Japan
DIMENSIONS: mm		CHK D. Mitsugi	11OCT2006	
TOLERANCES UNLESS OTHERWISE SPECIFIED: 0 PLC ±- 1 PLC ± ±0.4 2 PLC ± ±3° 3 PLC ± ± 4 PLC ± ± ANGLES ±- ±-		APVD D. Mitsugi	11OCT2006	
MATERIAL -		FINISH -	-	
		PRODUCT SPEC 108-78370	NAME DYNATAP CONN. 12P ASSY DYNAMIC D-5200SERIES	RESTRICTED TO
-		APPLICATION SPEC 114-5206	SIZE A3	CAGE CODE 00779
-		WEIGHT -	DRAWING NO C-1903146	SCALE
CUSTOMER DRAWING		SHEET 1 OF 2		REV C

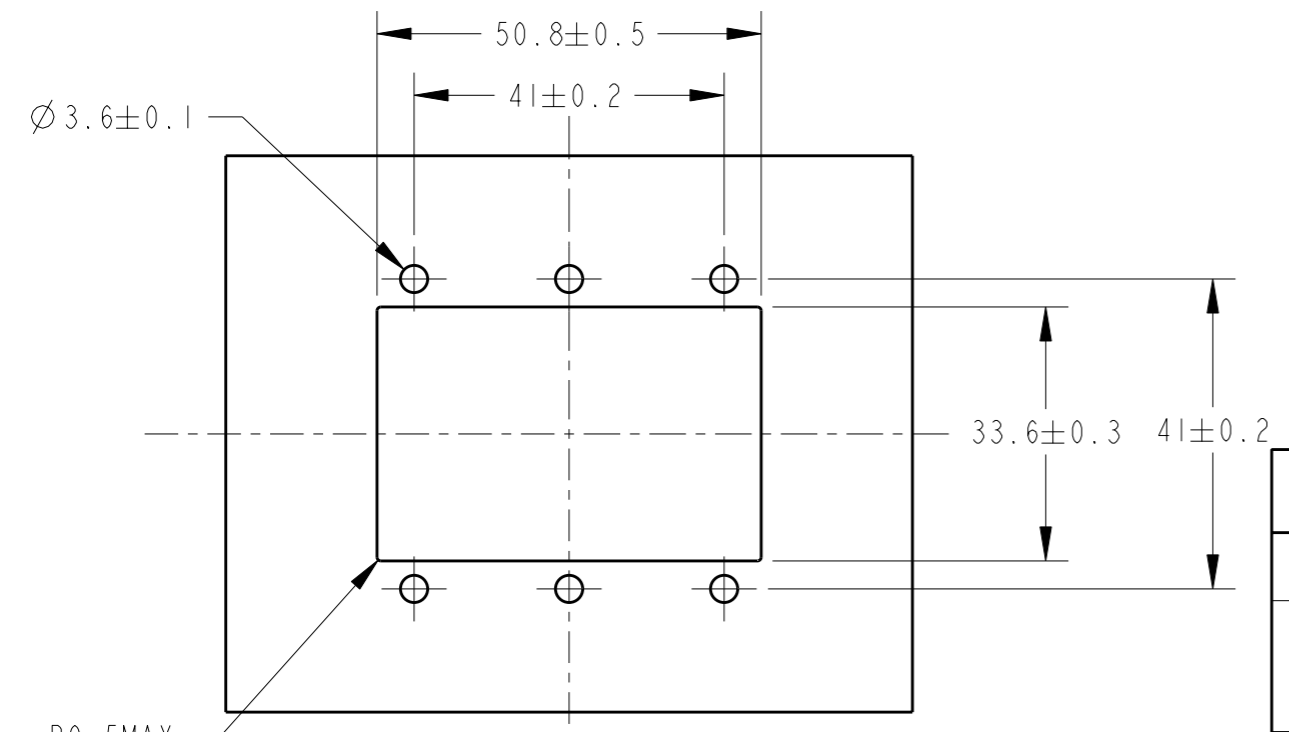
THIS DRAWING IS UNPUBLISHED. RELEASED FOR PUBLICATION 20
 © COPYRIGHT 20 BY TYCO ELECTRONICS CORPORATION. ALL RIGHTS RESERVED.

LOC	DIST	REVISIONS			
P	LTR	DESCRIPTION	DATE	DWN	APVD
J	-	SEE SHEET 1 OF 2	-	-	-



AS SHOWN 1903146-1
(P/M FRONT)

AS SHOWN 1903146-2
(P/M BOTTOM)



ハ°ネル加工推奨寸法図
RECOMMEND PANEL LAYOUT

THIS DRAWING IS A CONTROLLED DOCUMENT FOR TYCO ELECTRONICS CORPORATION
IT IS SUBJECT TO CHANGE AND THE CONTROLLING ENGINEERING ORGANIZATION
SHOULD BE CONTACTED FOR THE LATEST REVISION.

DIMENSIONS:	TOLERANCES UNLESS OTHERWISE SPECIFIED:
mm	0 PLC ± ±0.4
	1 PLC ± ±3°
	2 PLC ± ±
	3 PLC ± ±
	4 PLC ± ±
	ANGLES ± ±
MATERIAL -	FINISH -

DWN	T. Sakamoto	11OCT2006
CHK	D. Mitsugi	11OCT2006
APVD	D. Mitsugi	11OCT2006
PRODUCT SPEC	108-78370	
APPLICATION SPEC	114-5206	
WEIGHT	-	
CUSTOMER DRAWING		

Tyco Electronics AMP K.K. Kawasaki, Japan		NAME	
DYNATAP CONN. 12P ASSY		DYNAMIC D-5200SERIES	
SIZE	CAGE CODE	DRAWING NO	RESTRICTED TO
A3	00779	C-1903146	-
SCALE		SHEET	REV
:		2	C

单击下面可查看定价，库存，交付和生命周期等信息

[>>TE Connectivity\(泰科\)](#)