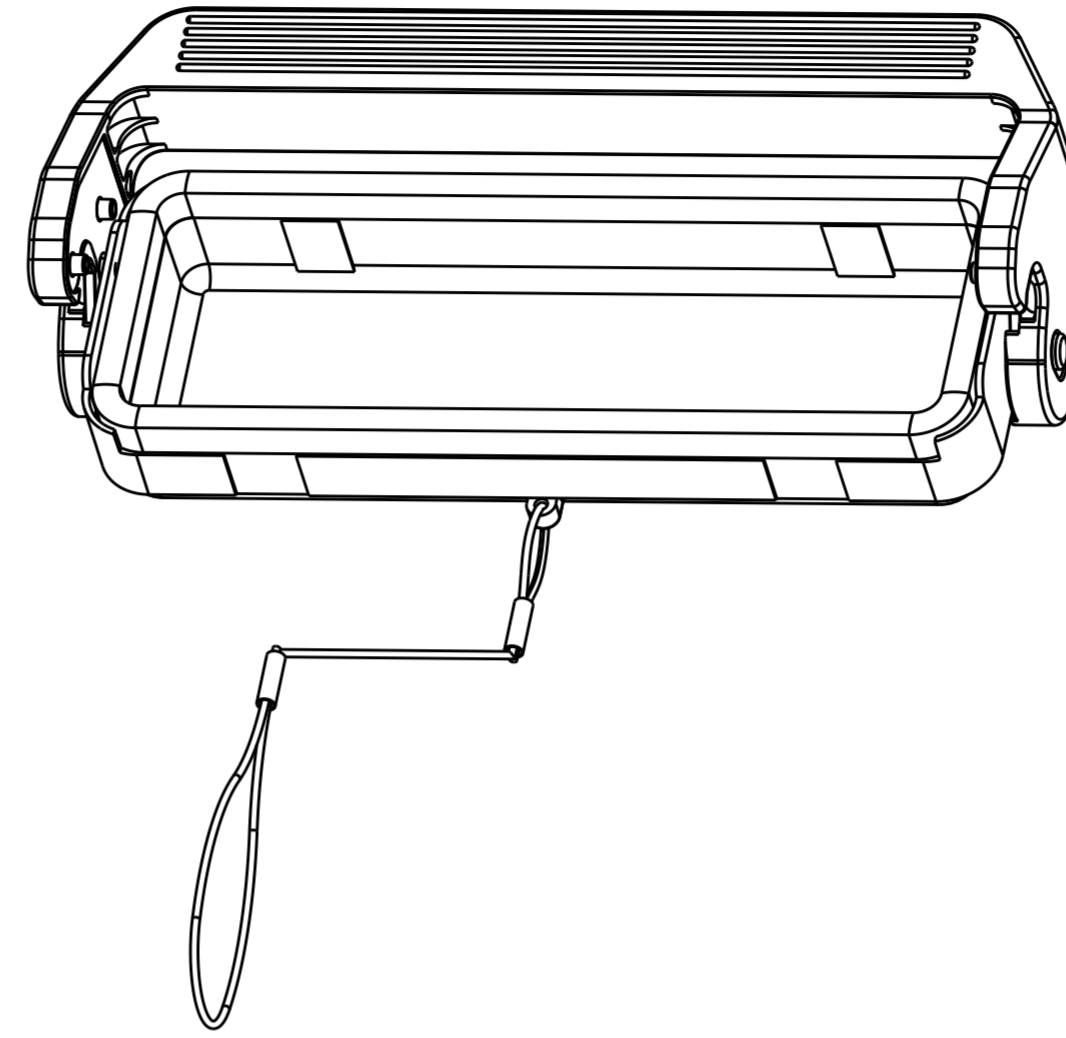
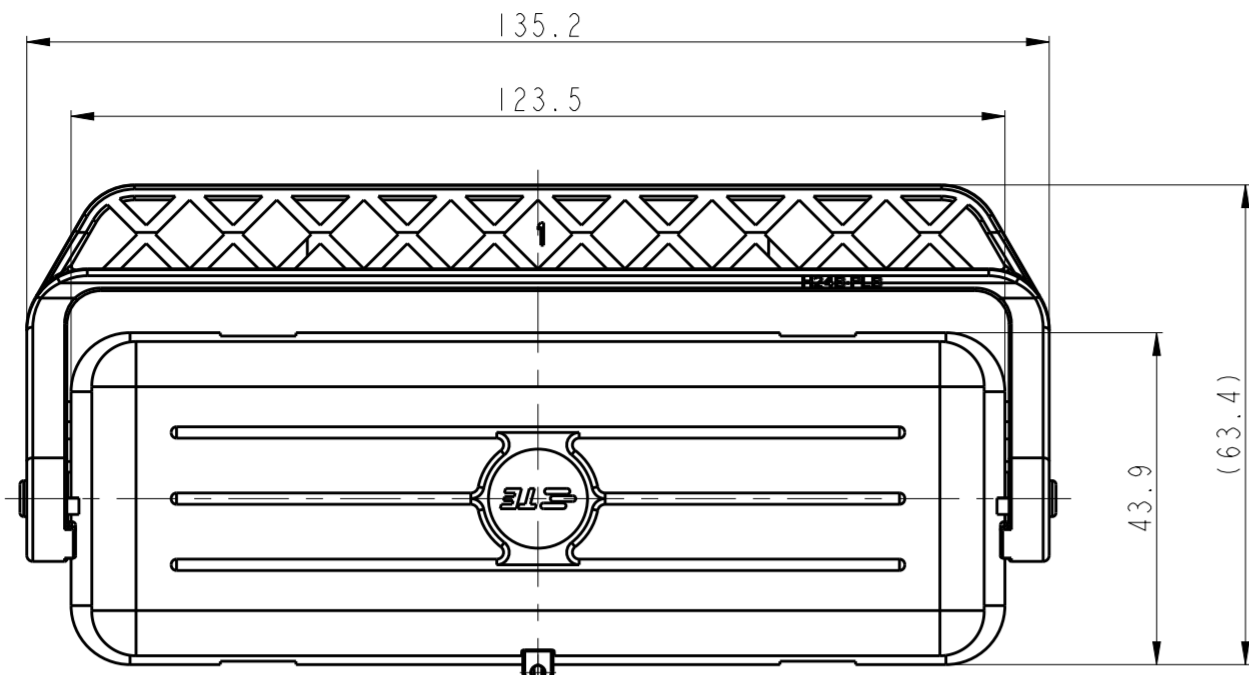


THIS DRAWING IS UNPUBLISHED. RELEASED FOR PUBLICATION
 © COPYRIGHT copyright.d8Te ALL RIGHTS RESERVED.

REVISIONS				
P	LTR	DESCRIPTION	DATE	APVD
	A	INITIAL	22JUN2017	CH CW

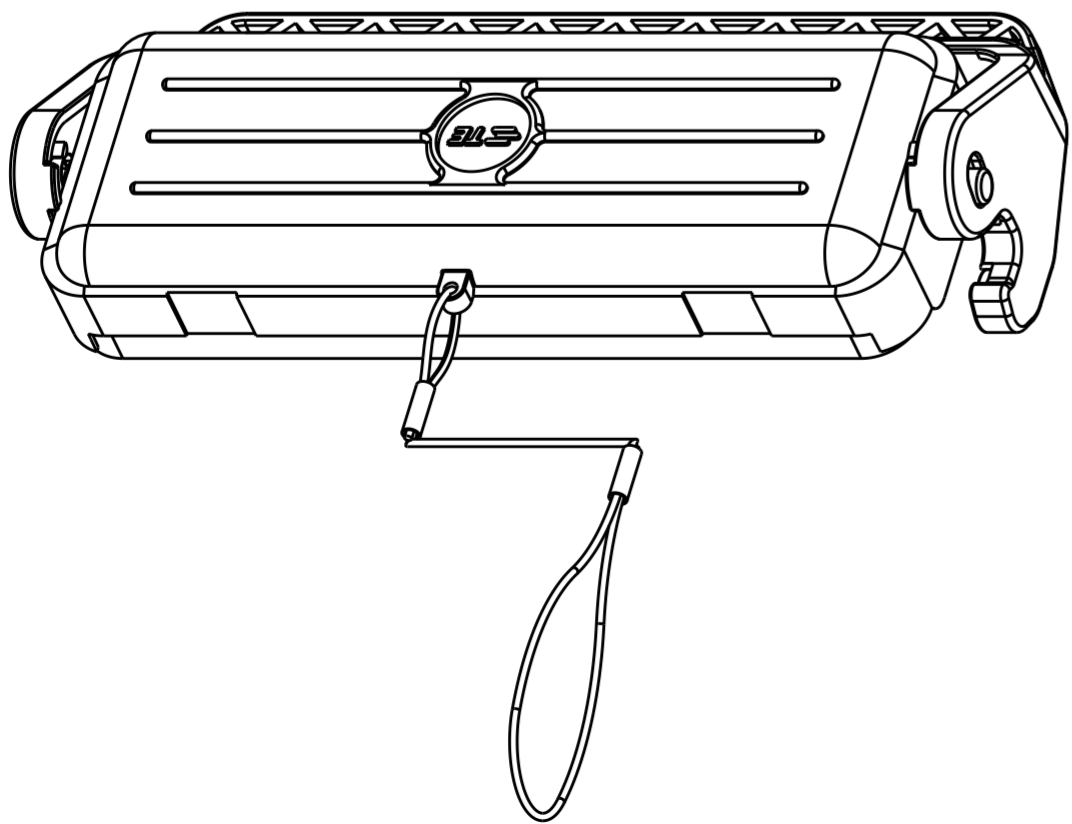
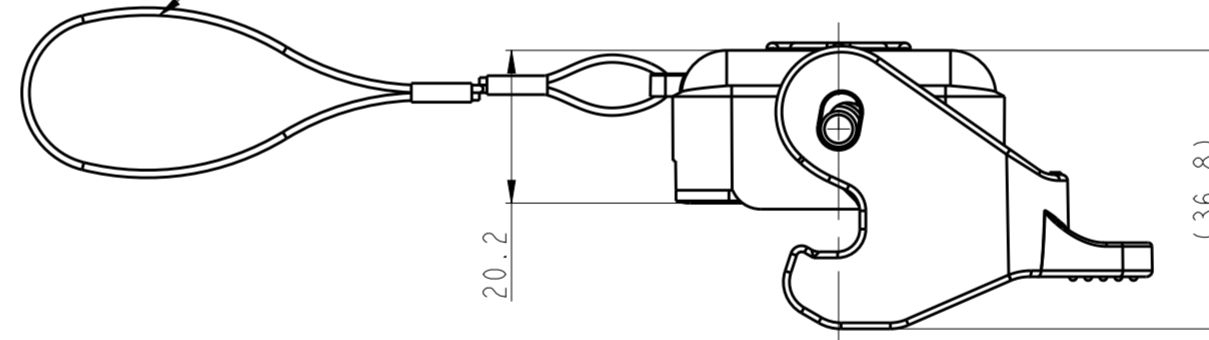
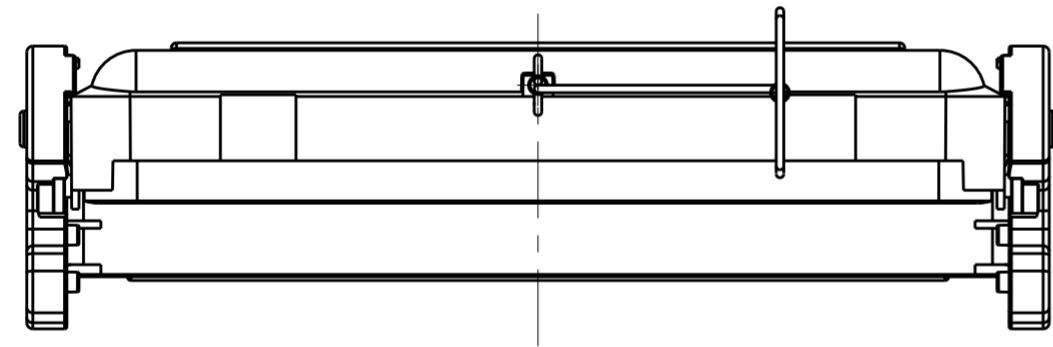


NOTES:
 1. TECHNICAL CHARACTERISTICS:
 COVER MATERIAL: PC, GREY
 PLASTIC SINGLE LOCKING MATERIAL: NYLON, GREY
 SEALING MATERIAL: NBR, BLACK

注释:
 1. 技术参数:
 保护盖材质: PC, 灰色
 塑料单扣材质: 尼龙, 灰色
 密封材质: NBR, 黑色

TRANSPARENT NYLON ROPE:
 TOTAL LENGTH 380mm,
 DIA. Ø1.0mm
 透明尼龙绳: 总长380mm, 直径Ø1.0mm

LOOP SIZE DEFAULT VALUE DIA. Ø44,
 UNLESS HAVE SPECIAL REQUIREMENT.
 套圈大小默认值直径是Ø44, 除非有特别要求.



T1010241500-000	H24B-KDTP-LB	H24B HOOD PLASTIC PROTECTION COVER, PLASTIC SINGLE LOCKING, SEALING, NYLON ROPE, GREY H24B上壳塑料保护盖, 塑料单扣, 带密封, 尼龙绳, 灰色
PART NUMBER 料号	PART DESCRIPTION 描述	

THIS DRAWING IS A CONTROLLED DOCUMENT.		DWN CHARLIE.HU 22JUN2017	TE Connectivity	
		CHK GINO.YAO 22JUN2017		
		APVD CHRIS.WANG 22JUN2017	NAME H24B-KDTP-LB	
DIMENSIONS: mm		PRODUCT SPEC		SIZE A2
TOLERANCES UNLESS OTHERWISE SPECIFIED:		APPLICATION SPEC		CAGE CODE -
0 PLC ±		WEIGHT -		DRAWING NO. T1010241500000
1 PLC ±		CUSTOMER DRAWING		RESTRICTED TO -
2 PLC ±		SCALE 1:1		SHEET 1 OF 1
3 PLC ±				REV A
4 PLC ±				
ANGLES ±				
FINISH -				

单击下面可查看定价，库存，交付和生命周期等信息

[>>TE Connectivity\(泰科\)](#)