

4

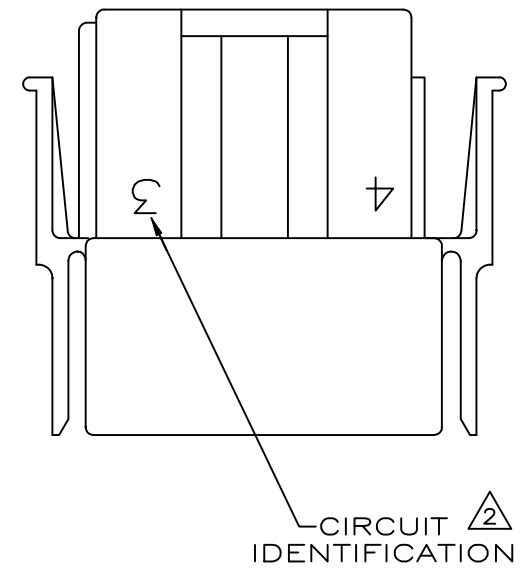
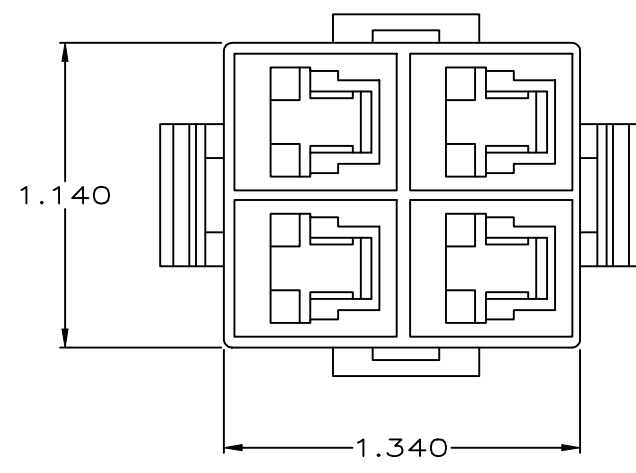
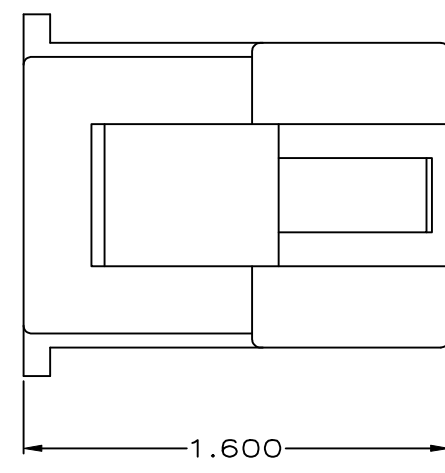
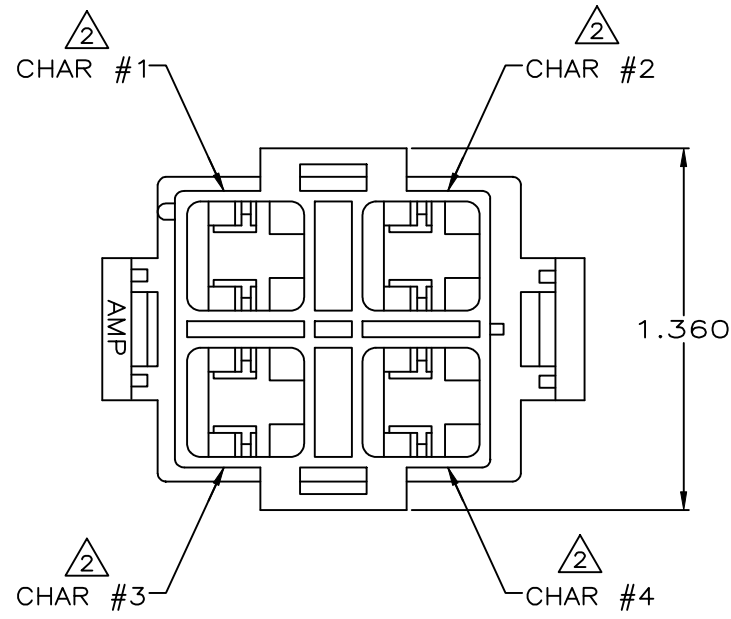
3

2

1

THIS DRAWING IS UNPUBLISHED. RELEASED FOR PUBLICATION  
 © COPYRIGHT - By - ALL RIGHTS RESERVED.

REVISIONS					
P	LTR	DESCRIPTION	DATE	DWN	APVD
	N2	REVISED PER ECO-11-005027	11MAR11	RK	HMR
	P	REVISED PER ECO-18-019629	17DEC2018	RS	MZ
	R	REVISED PER ECO-19-000322	11JAN2019	RS	MZ



- 1. ACCEPTS TERMINALS 350650 AND 350651.
- ② CHARACTERS 3 AND 4 MARKED ON NEAR SURFACE AS SHOWN, CHARACTERS 1 AND 2 MARKED ON OPPOSITE SIDE.
- ③ PA 6/66, UL 94V-0 RATED, BLACK
- ④ NYLON, 94V-2 RATED, BLACK.
- ⑤ OBSOLETE PARTS: OBSOLETE CIS STREAMLINING PER D.RENAUD/D.SINISI

⑤ OBSOLETE	②	④	643267-3
	③		643267-1
CIRCUIT IDENTIFICATION		MAT'L	PART NUMBER

THIS DRAWING IS A CONTROLLED DOCUMENT.		DWN R.SHIREY 05/15/91	<b>STE</b> TE Connectivity Ltd.	
		CHK R.STONE 5-22-91		
DIMENSIONS: INCHES		APVD R.WALTER 5-22-91	NAME	
		PRODUCT SPEC		CAP, HIGH CURRENT, 4 CIRCUIT
		APPLICATION SPEC		
MATERIAL SEE TABLE		FINISH	SIZE A2	CAGE CODE 00779
		WEIGHT	DRAWING NO C-643267	RESTRICTED TO
CUSTOMER DRAWING			SCALE 2:1	SHEET 1 of 1 REV R

643267

B

A

单击下面可查看定价，库存，交付和生命周期等信息

[>>TE Connectivity\(泰科\)](#)