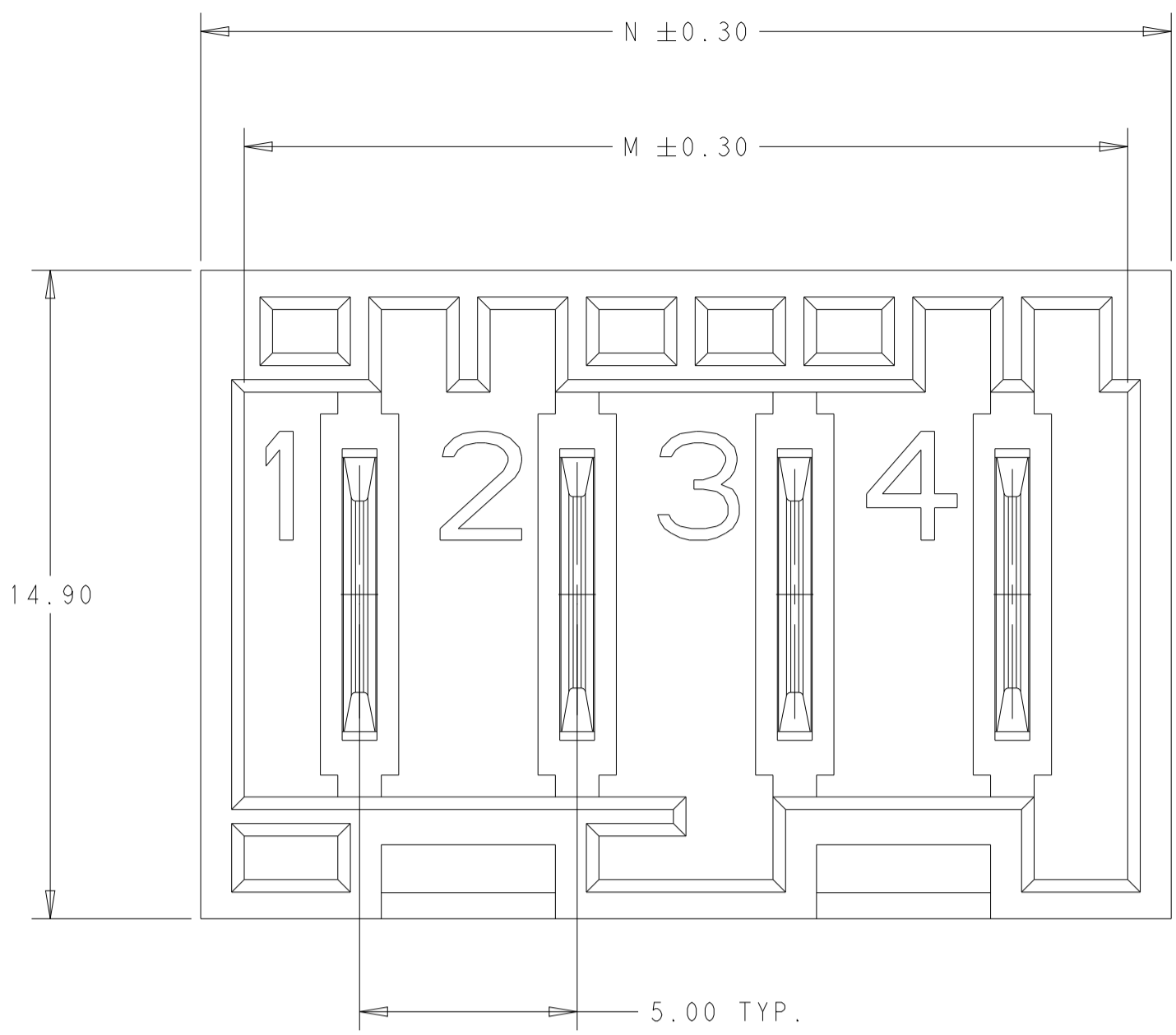
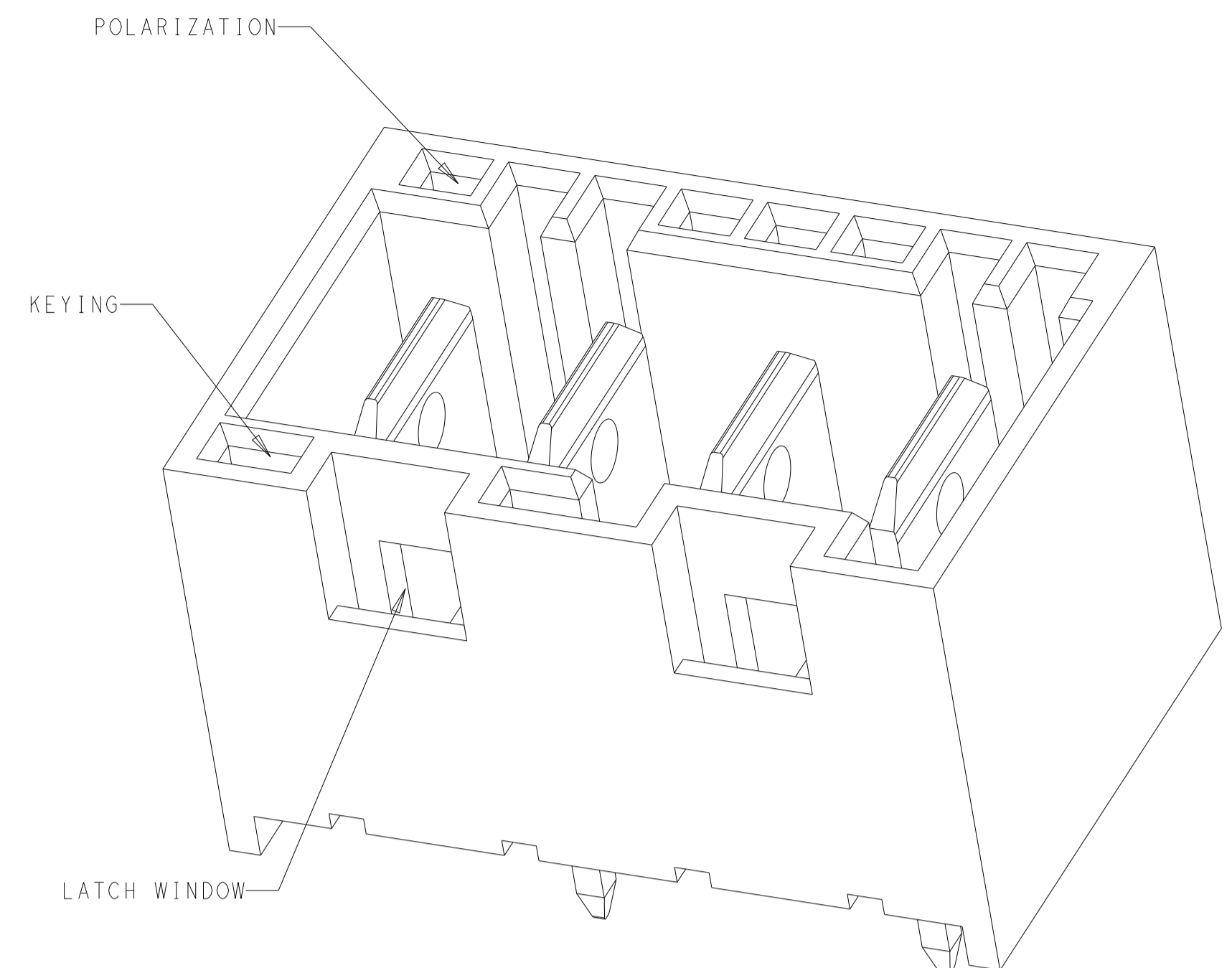
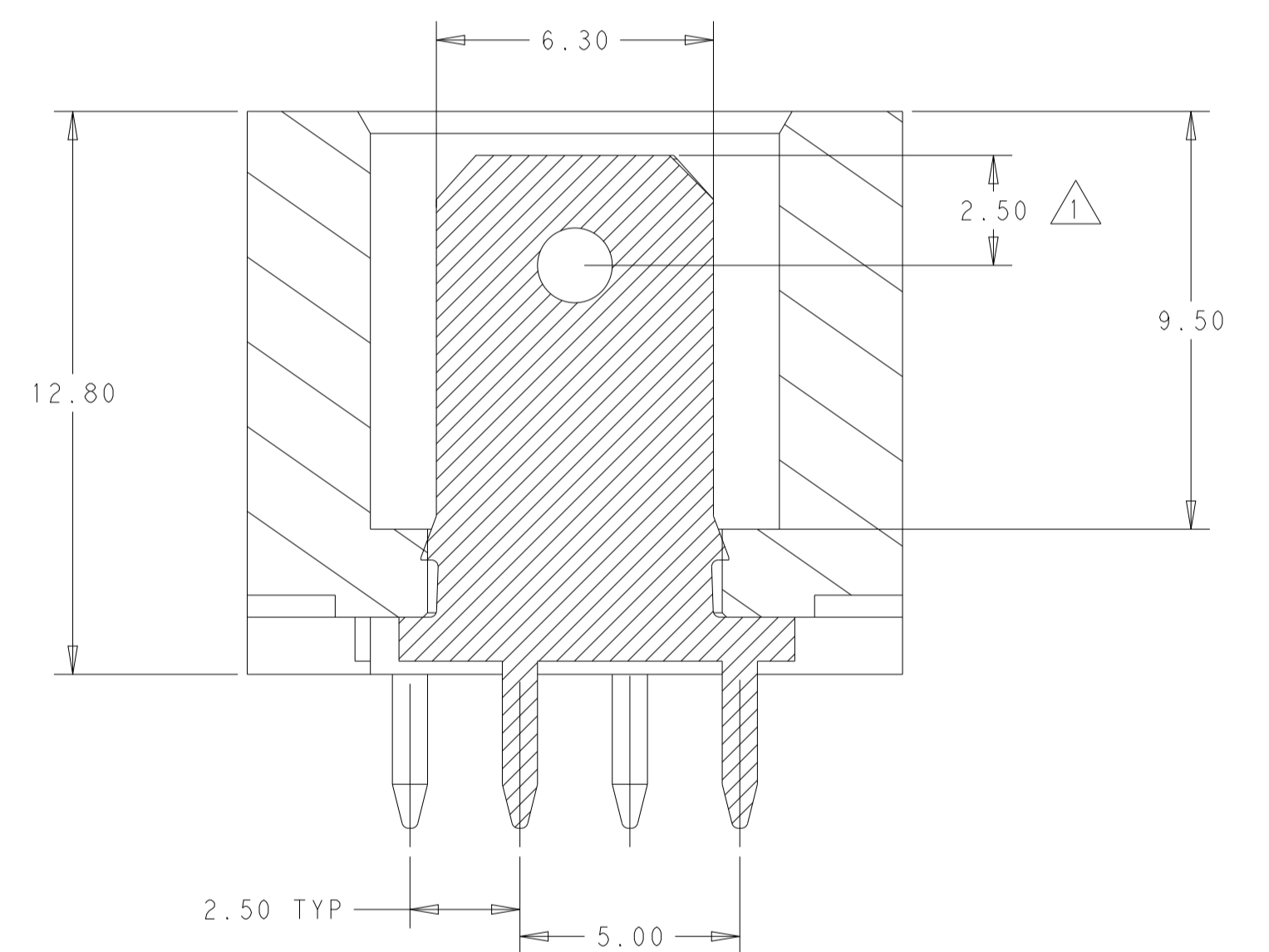
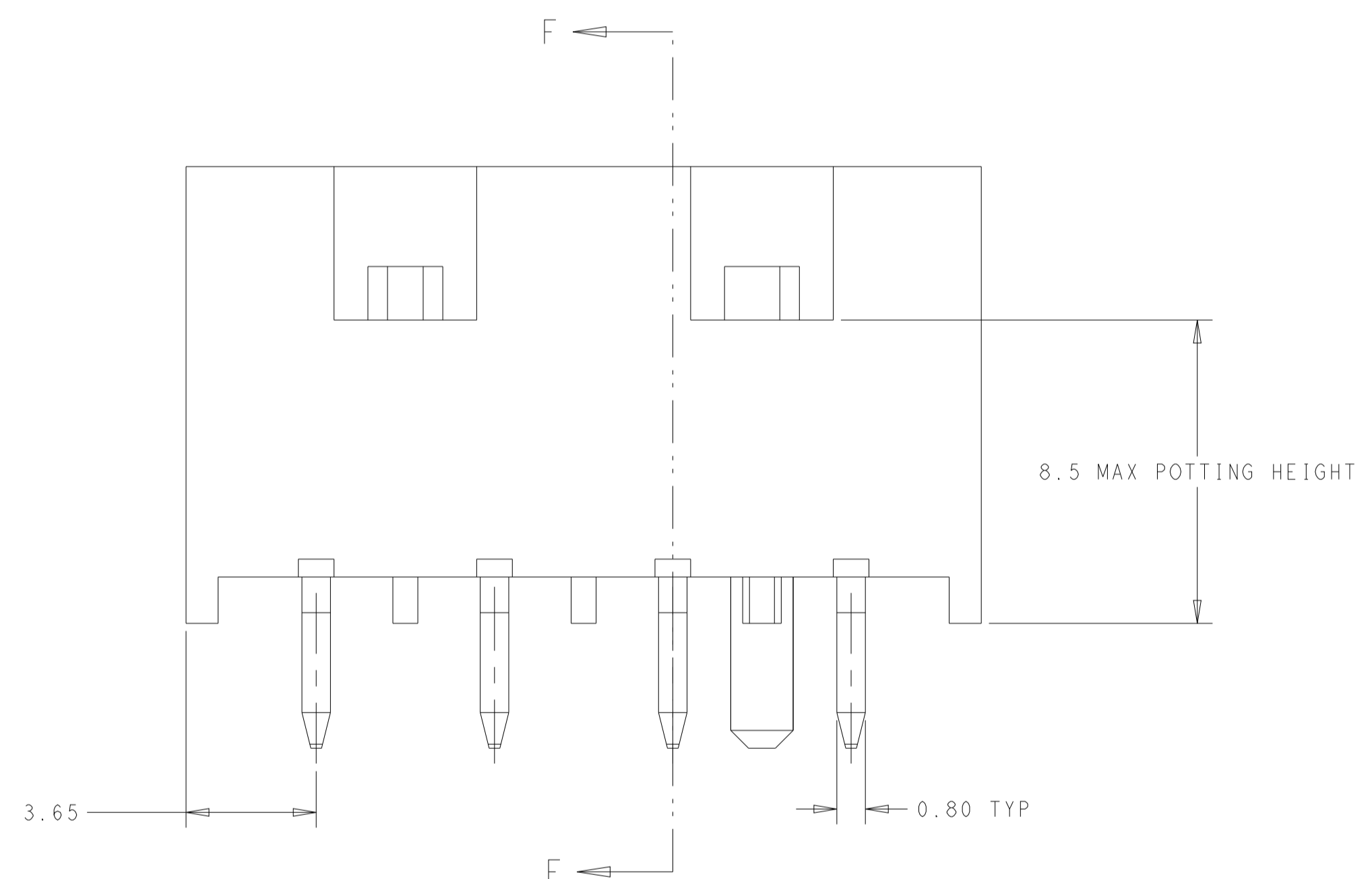
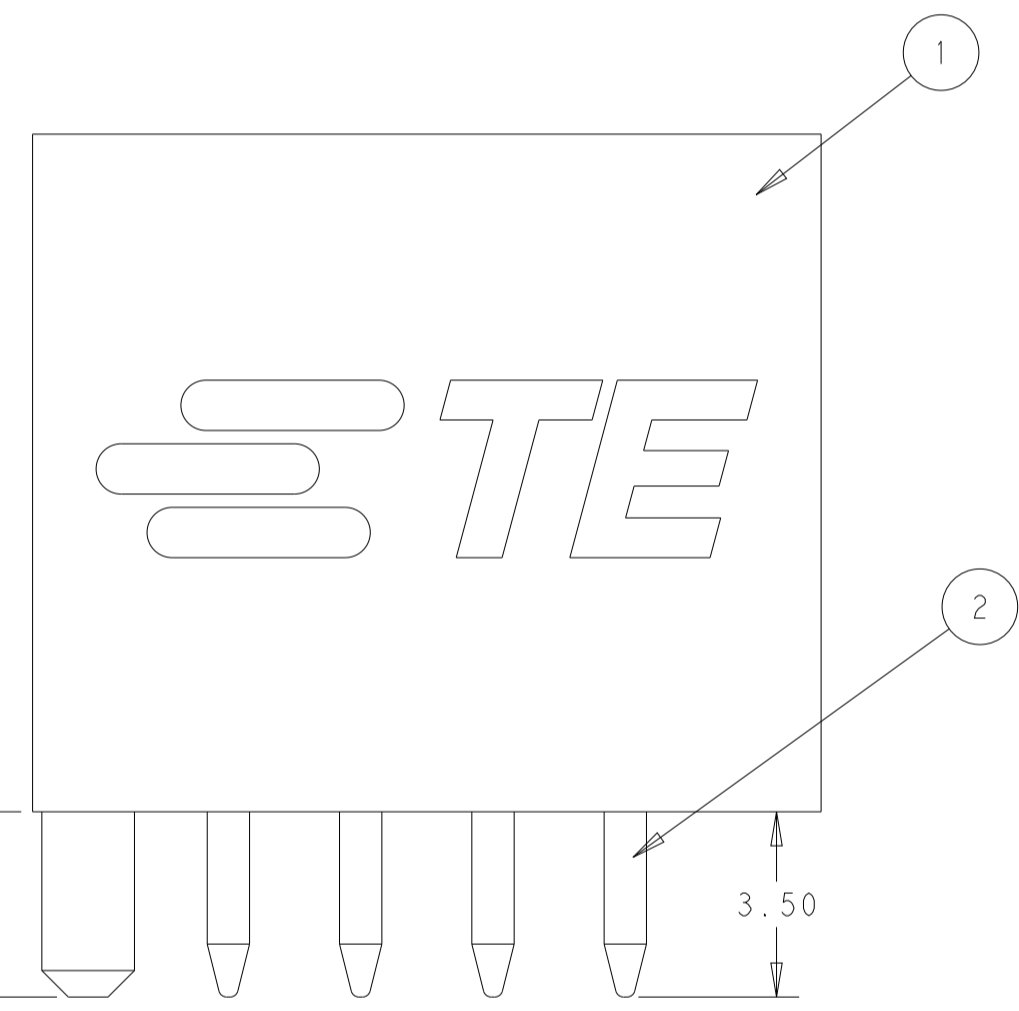


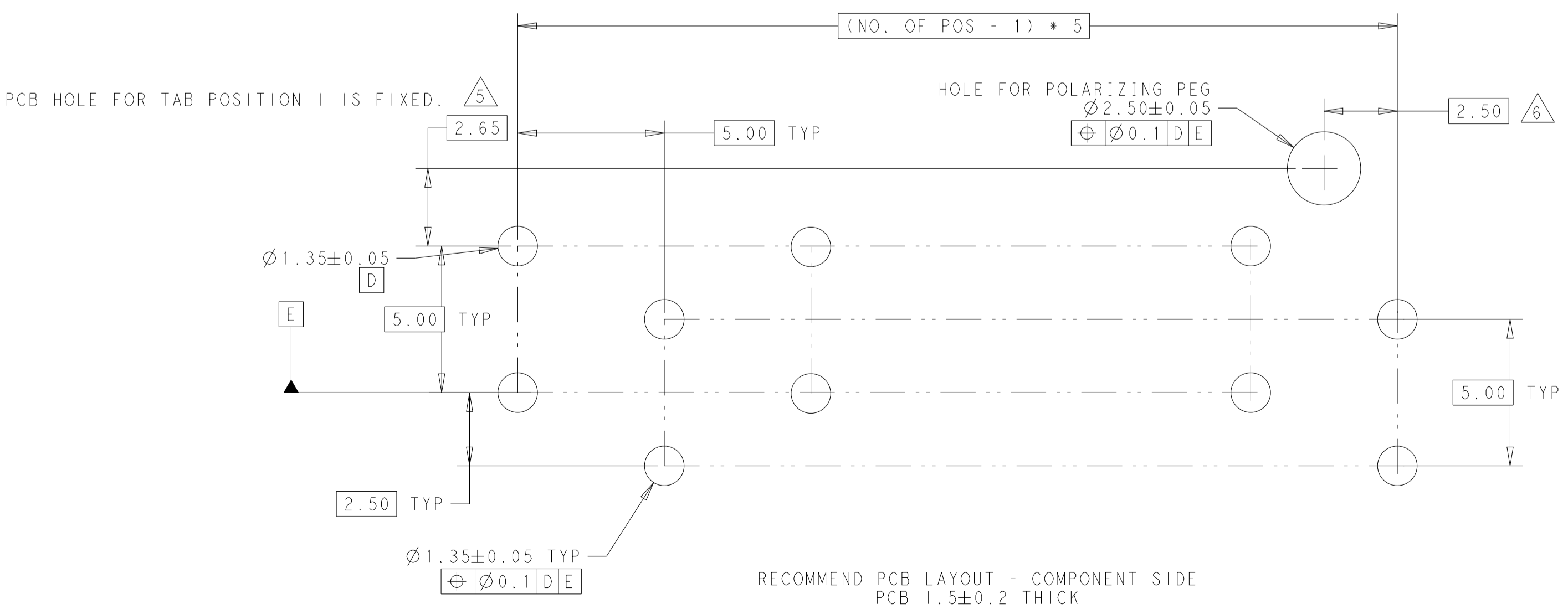
REVISIONS					
P	LTN	DESCRIPTION	DATE	DMN	APVD
A6	ECR-20-100547		16OCT2020	LZ	FL
B	ECR-21-100869		31MAR2021	PJ	FL
B1	ECR-21-105673		06JUL2021	LZ	FL
B2	ECR-21-118862		10NOV2021	SM	FL



- NOTES:
- 1 HOUSING HAS RAST 5 COMPLIANT KEYING, LATCHING, AND POLARIZATION TAB IS 6.30 X 0.8, HOWEVER THE LOCATION OF THE TAB HOLE DOES NOT MEET DIN 46244
 - 2 SEE SHEET 2 FOR AVAILABLE CONFIGURATIONS
 - 3 MATERIAL: HOUSING, NYLON, UL94 V0, 750°C GWT NO FLAME
CONTACT: COPPER ALLOY, 0.8MM THICK
 - 4 FINISH: CONTACTS, MATTE TIN PLATING OVERALL, NICKEL UNDER-PLATING
 - 5 INVOLVED PARTS NOT HAVE THE SAME PCB LAYOUT AS GENERAL VERSION. PCB TABS INSERTED IN A STAGGERED PATTERN BEGINNING WITH POSITION 1 AS SHOWN (PCB HOLE POSITION FOR TAB 1 IS FIXED).
 - 6 DIMENSION OFF OF LAST POSITION REGARDLESS OF EVEN OR ODD POSITION HEADER
 - 7 PACKAGING: LOOSE PIECE
 - 8 PRELIMINARY PART - NOT RELEASED FOR PRODUCTION THIS PRODUCT HAS NOT COMPLETED QUALIFICATION TESTING
 - 9 INVOLVED PARTS HAVE NOT THE SAME PCB LAYOUT



SECTION F-F



TOOL MARK ON TERMINAL SURFACE IS ACCEPTABLE WHICH DOES NOT IMPACT FUNCTION

25.30	27.30	5
20.30	22.30	4
15.30	17.30	3
10.30	12.30	2
M	N	NO. OF POS.

THIS DRAWING IS A CONTROLLED DOCUMENT.

DMN: J. POTERJOY 09APR2015
CHK: F. LUPO 09APR2015
APVD: R. ROBONE 09APR2015

DIMENSIONS: mm
TOLERANCES UNLESS OTHERWISE SPECIFIED:
0 PLC ±
1 PLC ±0.25
2 PLC ±
3 PLC ±
4 PLC ±
ANGLES ±3°
FINISH SEE NOTES

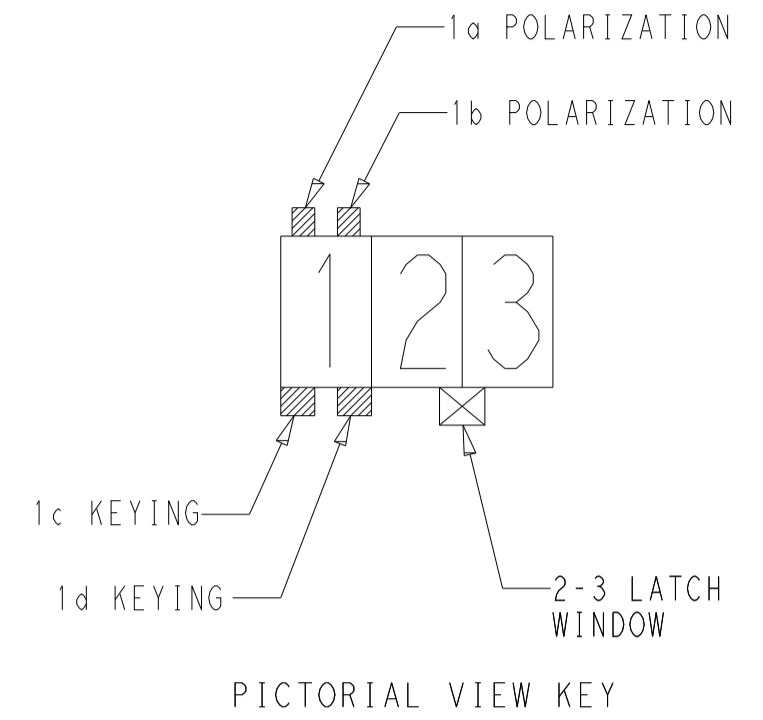
MATERIAL: SEE NOTES

NAME: RAST 5 HDR ASSY, POSITIVE-LOCK SHROUDED, VERTICAL
PRODUCT SPEC: 108-106080
APPLICATION SPEC: -

SIZE: A1
CAGE CODE: -
DRAWING NO: C=2292457
RESTRICTED TO: -

CUSTOMER DRAWING
SCALE: 7:1
SHEET: 1 OF 2
REV: B2

REVISIONS				
P	LTN	DESCRIPTION	DATE	APVD
-	SEE SHEET 1		-	-



	NATURAL	5	POSITIVE-LOCK TAB CONTACT WITH MATTE TIN PLATING	1	RAST 5 TAB HEADER HOUSING	5	1-2292457-5	/
	NATURAL	5				5	2292457-5	/
	NATURAL	4				4	3-2292457-4	3-2390868-4
	NATURAL	4				4	1-2292457-4	/
	NATURAL	4				4	2292457-4	2390868-4
	NATURAL	3				3	1-2292457-3	/
	NATURAL	3				3	2292457-3	2390868-3
	BLACK	2				2	3-2292457-2	/
	NATURAL	2				2	1-2292457-2	1-2390868-2
	NATURAL	2				2	2292457-2	2390868-2
LAYOUT	COLOR	QTY	TAB CONTACT (2)	QTY	HEADER HOUSING (1)	NO. OF POS	RESIN A	RESIN B (A)
							TE PART NO.	

THIS DRAWING IS A CONTROLLED DOCUMENT.

DIMENSIONS: mm
 TOLERANCES UNLESS OTHERWISE SPECIFIED:
 0 PLC ±
 1 PLC ±0.25
 2 PLC ±
 3 PLC ±
 4 PLC ±
 ANGLES ±3°
 FINISH SEE NOTES

DWN J. POTERJOY 09APR2015
 CHK F. LUPO 09APR2015
 APVD R. ROBONE 09APR2015

NAME RAST 5 HDR ASSY, POSITIVE-LOCK SHROUDED, VERTICAL
 PRODUCT SPEC 108-106080
 APPLICATION SPEC

SIZE A1
 CAGE CODE -
 DRAWING NO. C=2292457
 WEIGHT -
 CUSTOMER DRAWING

SCALE 7:1
 SHEET 2 OF 2
 REV B2

THIS DRAWING IS UNPUBLISHED. RELEASED FOR PUBLICATION 20
 © COPYRIGHT 20 BY - ALL RIGHTS RESERVED.

单击下面可查看定价，库存，交付和生命周期等信息

[>>TE Connectivity\(泰科\)](#)