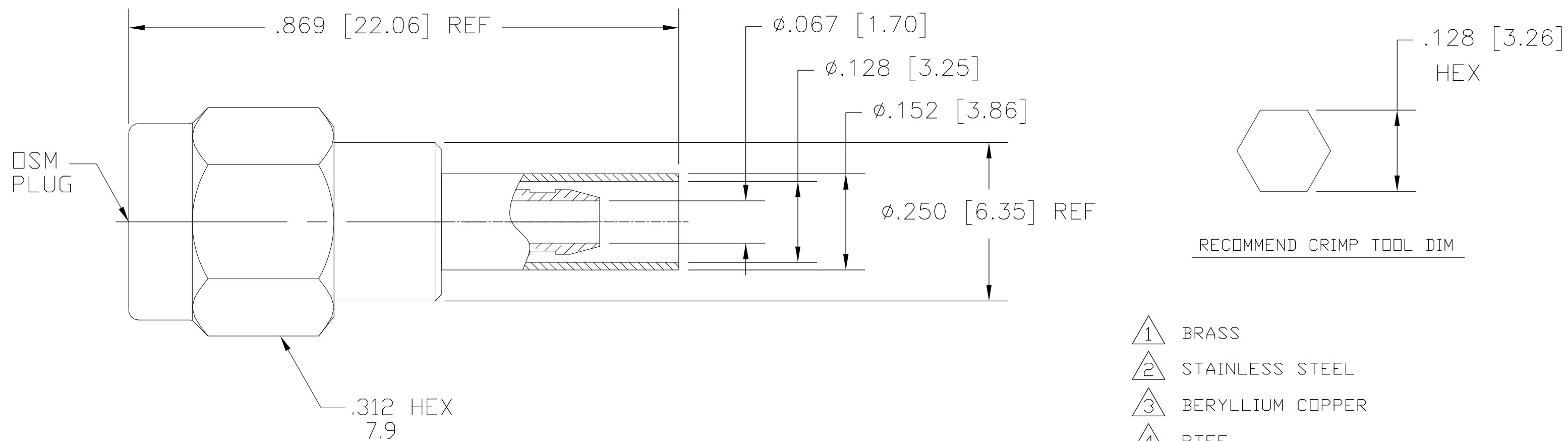


THIS DRAWING IS UNPUBLISHED. RELEASED FOR PUBLICATION  
 © COPYRIGHT BY TYCO ELECTRONICS CORPORATION. ALL RIGHTS RESERVED.

LOC	DIST	REVISIONS					
AJ	00	P	LTR	DESCRIPTION	DATE	DWN	APVD
		B		REV PER ECO-09-013650	-	ANS	BOB



ELECTRICAL	MECHANICAL	ENVIRONMENTAL
Nominal Impedance ( $\Omega$ ms) <u>50</u>	Interface Dimensions MIL-STD-348A, Fig. 310.1	TEMPERATURE RATING -40° TO +95°  DURABILITY:500 CYCLES
Frequency Range (GHz) DC to 1	Recommended Mating Torque <u>7-10 In-Lbs</u>	
Volt Rating (VRMS MAX) @ Sea Level <u>250</u>	Mating Characteristics:	.XXX = in XX.X = mm
VSWR <u>1.18 + .02f(GHz)</u>	Insertion (MAX Lbs) N/A	
Insertion Loss (dB MAX) <u>.07 <math>\sqrt{f}</math> GHz</u>	Withdrawal (MIN $\Omega$ z) N/A	
Dielectric Withstanding Voltage (VRMS MIN) @ Sea Level <u>750</u>	Force to Engage and Disengage (In-Lbs MAX) <u>2</u>	
Contact Resistance (Milliohms MAX) Center Contact <u>5.0</u>	Center Contact Captivation Axial (Lbs) <u>6 Min</u>	
Outer Contact <u>3.0</u>	Radial (In- $\Omega$ z) N/A	
Cable to Housing <u>0.5</u>	Cable Retention Axial Force (Lbs) <u>20 MIN</u>	
RF High Potential @ Sea Level (VRMS MIN @ 5 MHz) <u>500</u>	Torque (In- $\Omega$ z) N/A	
I.R.(Megohms MIN) <u>10,000</u>	Weight (Grams) <u>TBD</u>	

$\triangle$ 1 $\triangle$ 9	$\triangle$ 1 $\triangle$ 7	$\triangle$ 4	$\triangle$ 1 $\triangle$ 6	$\triangle$ 1 $\triangle$ 7	$\triangle$ 3	$\triangle$ 5	1056443-3
$\triangle$ 2 $\triangle$ 8	$\triangle$ 2 $\triangle$ 8	$\triangle$ 4	$\triangle$ 1 $\triangle$ 6	$\triangle$ 1 $\triangle$ 7	$\triangle$ 3	$\triangle$ 5	1056443-1
HOUSING	COUPLING NUT	DIELECTRIC	CENTER CONTACT	FERRULE	RETAINING RING	GASKET	TE PN.

THIS DRAWING IS A CONTROLLED DOCUMENT.		DWN BWC 6/2/67	Tyco Electronics Corporation Kunshan,Jiangsu,RPC 215312	
DIMENSIONS: INCHES		CHK EJD 8/9/67	NAME OSM STRAIGHT CABLE(RG-174/U) PLUG CLAMP ATTACHMENT	
TOLERANCES UNLESS OTHERWISE SPECIFIED:		APVD DJ 8/10/67	SIZE A2 CAGE CODE 00779 DRAWING NO C=1056443	
0 PLC ± -		PRODUCT SPEC -	RESTRICTED TO -	
1 PLC ± -		APPLICATION SPEC -	SCALE 5:1 SHEET 1 of 1 REV B	
2 PLC ± -		WEIGHT -		
3 PLC ± .005		CUSTOMER DRAWING		
4 PLC ± -				
ANGLES ± 1°				
FINISH -				

单击下面可查看定价，库存，交付和生命周期等信息

[>>TE Connectivity\(泰科\)](#)