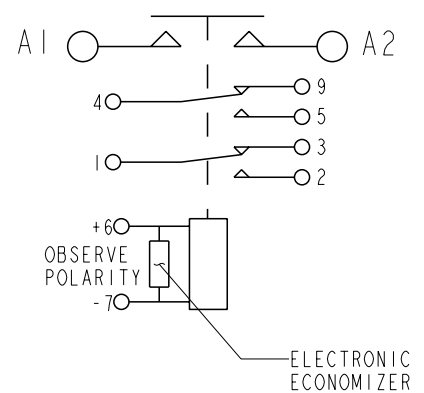
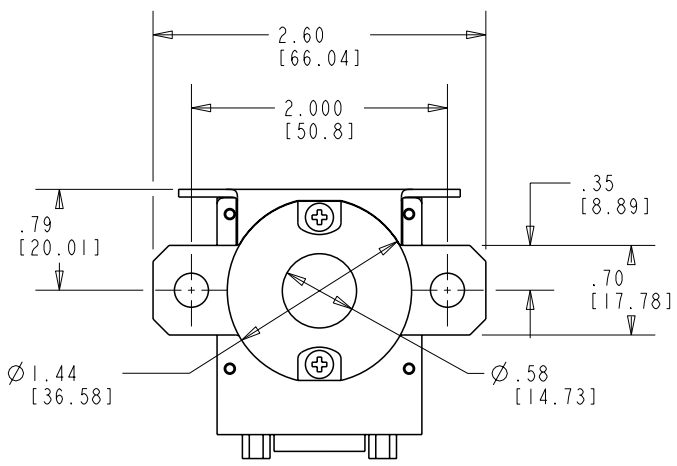


REVISIONS		RELEASED	APPROVED
REV.	DESCRIPTION	DATE	
A	RELEASE TO PRODUCTION FROM REV.5	15/08/06	RSS
B	18-017475 CORRECTED MATING CONNECTOR CALLOUT	18/11/06	AH
C	19-003372 ADDED METRIC UNITS FOR DIM AND WEIGHT	19/03/04	AH
D	19-007176 SPECIFICATION NOTES UPDATED	19/05/08	AH



**CONSTRUCTION** GASKET SEALED

**MAIN CONTACTS CONFIGURATION** SPST N.O. (DOUBLE BREAK)

**VOLTAGE** 28 VDC

**CURRENT** 200 AMPS

**RESISTIVE MOTORLOAD OVERLOAD** 120 AMPS PER MIL-PRF-6106  
1600 AMPS PER MIL-PRF-6106

**RUPTURE** 2000 AMPS

**COIL DATA** CONTINUOUS (ECONOMIZED)

**DUTY CYCLE** 32 VDC

**MAX. OPERATE VOLTAGE** 28 VDC

**NOMINAL OPERATE VOLTAGE** 28 VDC

**PICKUP VOLTAGE** 18 VDC MAX

**DROP VOLTAGE** 1-9 VDC

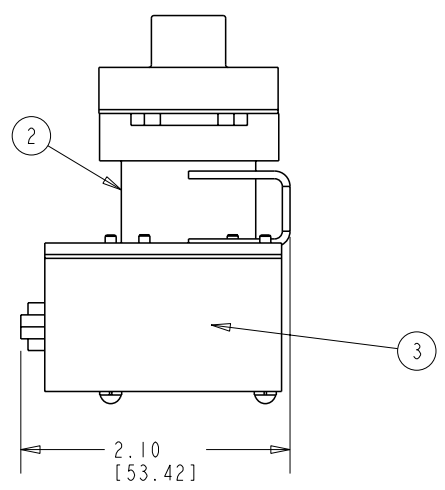
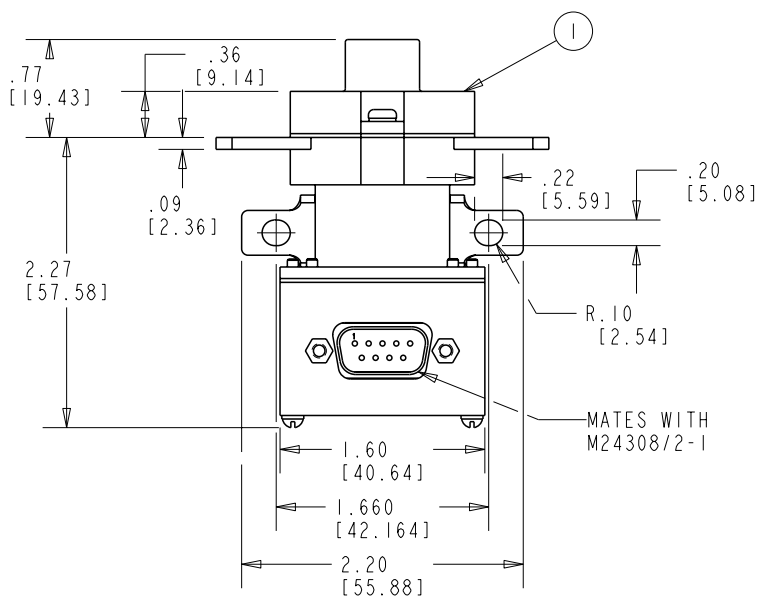
**PICKUP TIME** 15 mS

**DROPOUT TIME** 15 mS

**COIL CURRENT** 5 AMPS MAX AT 28 VDC & 25°C

**INRUSH** 300 mA MAX AT 28 VDC & 25°C

**HOLD SUPPRESSION** ±45 VDC



**AUX CONTACTS CONFIGURATION** 2 SPDT

**VOLTAGE** 28 VDC

**CURRENT RESISTIVE** 3 AMPS

**LOW LEVEL** 1 mA AT 28 VDC

**ENVIRONMENTAL DATA**

**TEMPERATURE** -55°C TO +85°C

**ALTITUDE** 50,000 FEET [15,240M]

**LIFE ELECTRICAL** 50,000 CYCLES MIN.

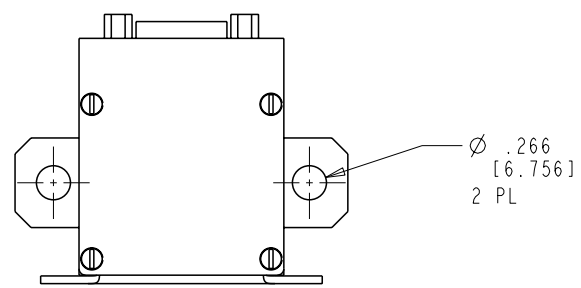
**LIFE MECHANICAL** 100,000 CYCLES MIN.

**MAX WEIGHT** .43 LBS (195g)

**NOTES**

1. AUXILIARY CONTACTS ARE GOLD PLATED.

2. 1 MILLIAMPERE RATING DOES NOT APPLY IF CONTACTS HAVE SWITCHED LOADS ABOVE 1 MILLIAMPERE



FIND NO	QTY RECD	PART OR IDENTIFYING NO	NOMENCLATURE OR DESCRIPTION	DRAWING OR SPECIFICATION	FSCM NO	TE PART NO	MATERIAL OR NOTE
3	1	48103-002	SCHEMATIC DIAGRAM			8-1616990-3	
2	1	48102-004	NAME PLATE			9-1616977-1	
1	1	48057-050	PRIMARY ASSEMBLY			8-1616977-3	

UNLESS OTHERWISE SPECIFIED DIMENSIONS ARE IN INCHES TOLERANCES ON		 Hartman Division 175 N. DIAMOND STREET MANSFIELD, OHIO 44902
2 PL DEC.	.13 PL DEC.	
ANGLES		DR BY RV 15/08/06 CHK BY MDM 15/08/07 ENGR RSS 15/08/06 MFG DWA 15/08/10
±.06	±.010	SIZE A CODE IDENT 74063 SCALE NONE SHEET 1 OF 1
		DWG NO. K200A3C REF TE PN 8-1616977-1

单击下面可查看定价，库存，交付和生命周期等信息

[>>TE Connectivity\(泰科\)](#)