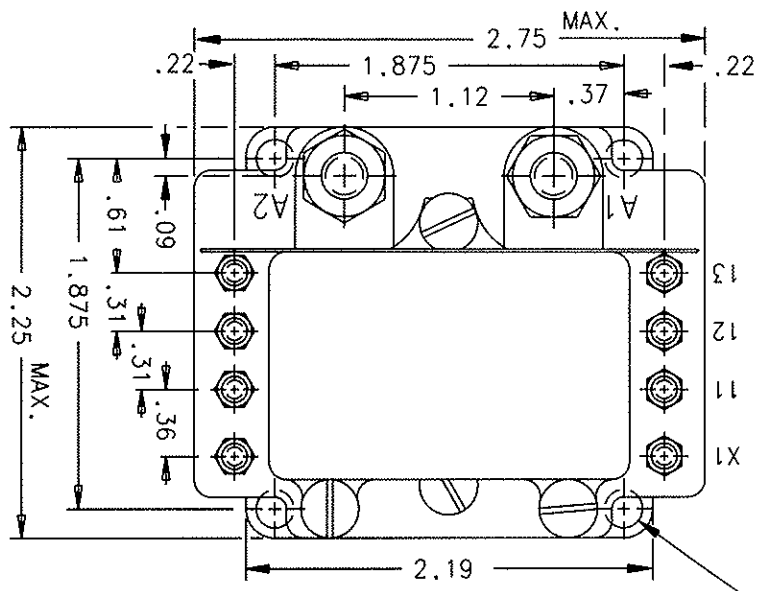


REV.	DESCRIPTION	DATE	APPROVED
K	21709 REPARM. ADDED *SILASTIC SEALED* TO CONSTRUCTION	92/01/10	WS
L	31184 FIND NO 10 ADDED. QTY WAS 2 ON FIND NOS 4 & 8	96/10/14	RS
M	42110 FIND NO 10 WAS 39529-055. NOTE 1 ADDED	00/03/31	RS
N	0071-04 REMOVED ITEM 10. ITEM 3 WAS 41895-001	04/06/01	CS



203 DIA. HOLE
4 MTG. HOLES
SEE NOTE 1

CONSTRUCTION

MAIN CONTACTS

CONFIGURATION
VOLTAGE (NOM.)
CURRENT RES.
INRUSH

AUXILIARY CONTACTS

CONFIGURATION
VOLTAGE
CURRENT RES.
IND.

COIL DATA

MAX OPERATE
MIN OPERATE
PICKUP AT 25°C
DROPOUT
RES AT 25°C
DUTY CYCLE

ENVIRONMENTAL DATA
AMBIENT TEMP
LIFE ELECTRICAL
LIFE MECHANICAL
WEIGHT MAX

GASKET SEALED,
SILASTIC SEALED

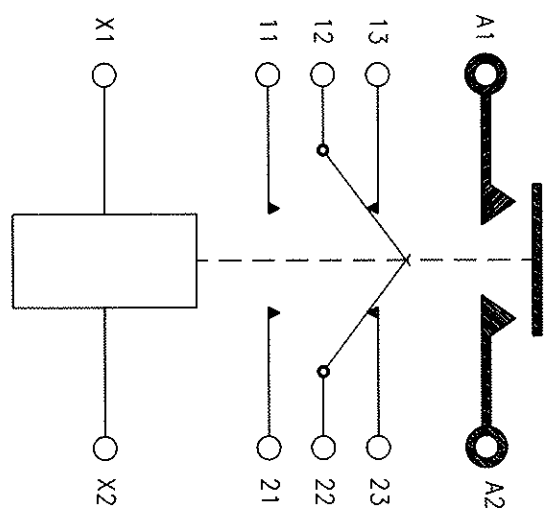
SPST N.O.

28 VDC
200 AMP
800 AMP CARRY ONLY

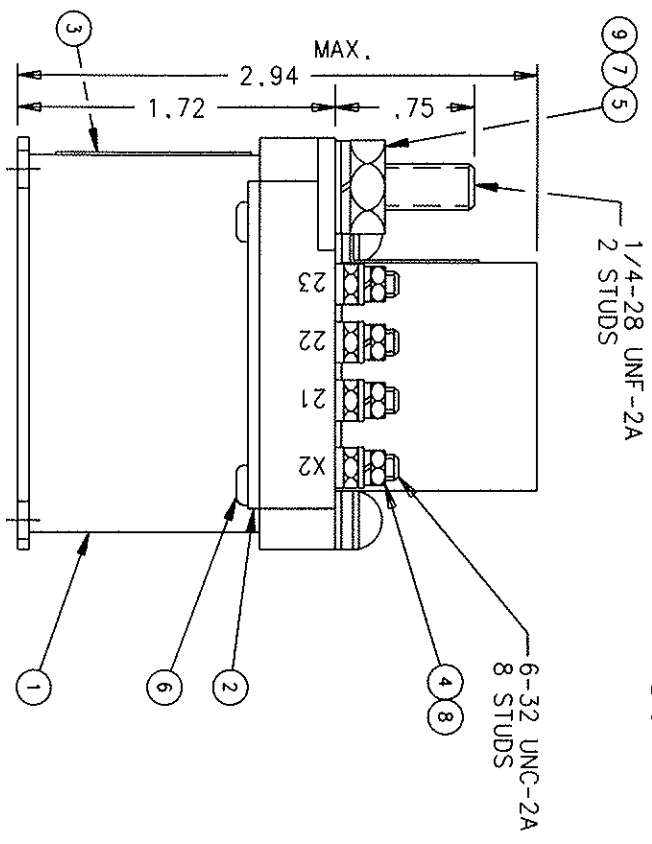
D.P.D.T.
28 VDC.
5 AMP
3 AMP

32 VDC
24 VDC
16.5 V. MAX.
0.5 TO 7 VDC
70 OHM ± 20%
CONTINUOUS

-55°C TO + 71°C
50,000 CYCLES MIN
100,000 CYCLES MIN
1 LB 10 OZ



NOTE:
1. PAINT REMOVED FROM 2 OPPOSITE
MTG HOLES, TOP & BOTTOM, FOR
GROUNDING PURPOSES.



1/4-28 UNF-2A
2 STUDS

6-32 UNC-2A
8 STUDS

FIND NO	QTY	REPOD	PART OR IDENTIFYING NO	NON-ENCLATURE OR DESCRIPTION	FSD NO	DRAWING OR SPECIFICATION	MATERIAL OR NOTE
9	2		51807-034	WASHER-LOCK-NO. 1/4 SPL IT			BRONZE
8	8		51808-014	WASHER-LOCK-NO. 6 SPLIT			BRONZE
7	2		51703-064	WASHER-FLAT-1/2 X 17/64 X.032			BRONZE
6	4		51200-020	SCREW-NO. 4 X 1/4 PAN HD.			BRASS
5	2		50407-364	NUT-1/4-28 X 7/16 X 3/16 HEX			STAINLESS STEEL
4	8		50406-014	NUT-6-32 X 3/16 X 5/64 HEX			BRASS
3	1		47618-004	PLATE-NAME			BRASS
2	2		34290-001	PLATE - COVER			
1	1		32659-030	CONTACTOR ASSEMBLY - PRI.			

SIKORSKY
76550-00902-103
DR BY RLS 100/05/15
CHK BY RS 100/05/15
ENGR JL 100/05/17
MFG CC 100/05/18
SIZE
CODE IDENT
C 74063

TYCO Electronics
Hartford, Conn. 06111-1100, 175 N. DIAMOND STREET WANGFIELD, OHIO 44902
CONTACTOR-S.P.S.T. N.O.
200 AMP, 28 VDC 093
DWG NO. A-1077F

2 PL DEC. 13 PL DEC. ANGLES
SCALE: .06 * .010 * 1" *
SCALE: NONE SHEET
REF: TYCO P/N 0-1616055-4

单击下面可查看定价，库存，交付和生命周期等信息

[>>TE Connectivity\(泰科\)](#)