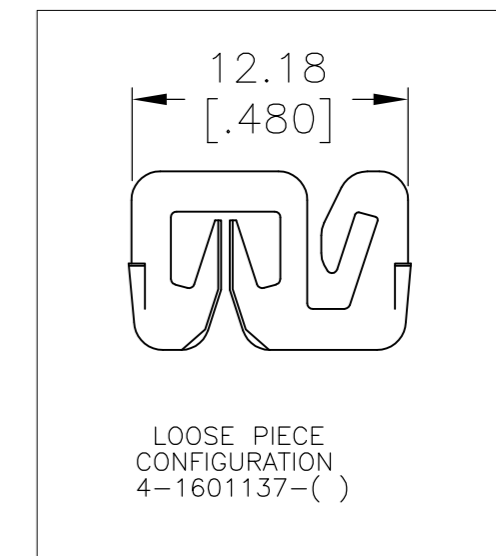
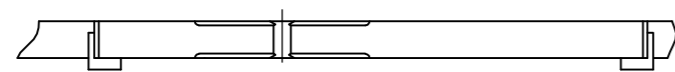
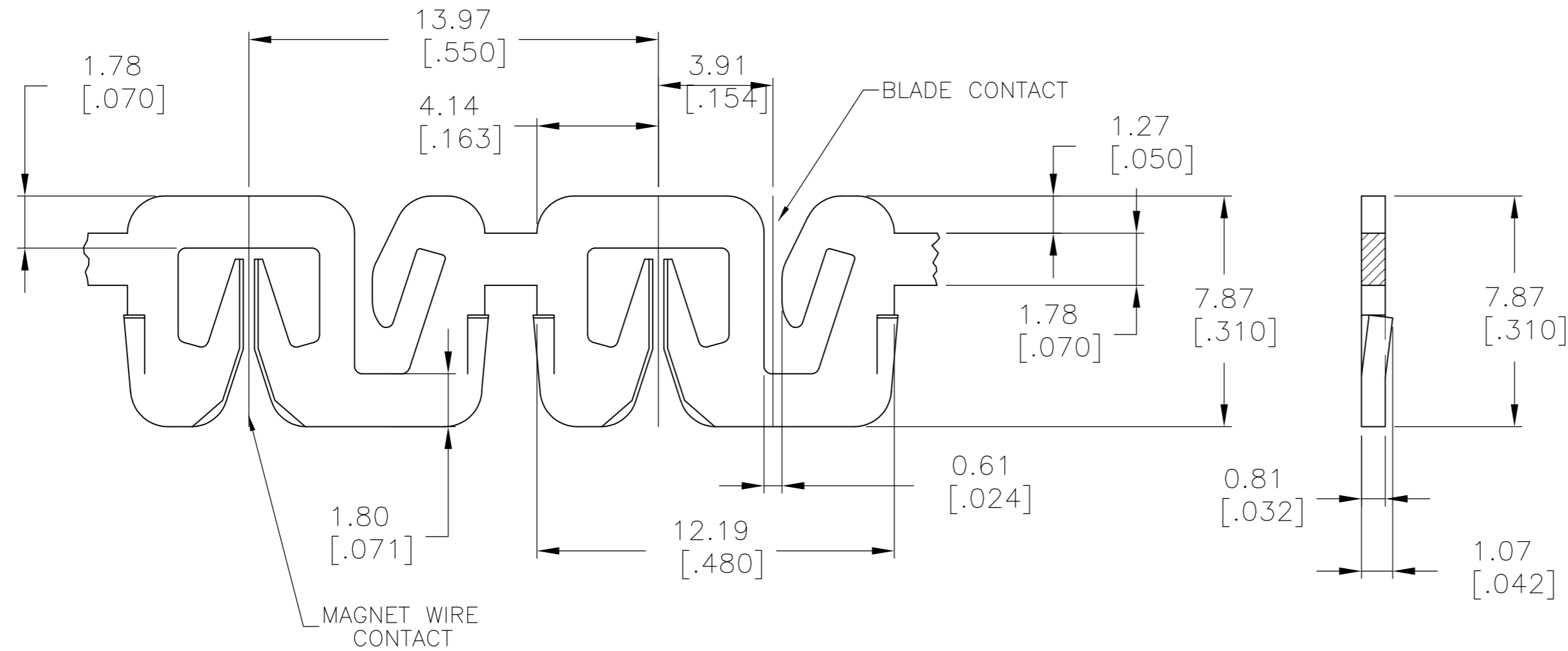


THIS DRAWING IS UNPUBLISHED. RELEASED FOR PUBLICATION  
 © COPYRIGHT BY TYCO ELECTRONICS CORPORATION. ALL RIGHTS RESERVED.

LOC		DIST		REVISIONS			
P	LTR	DESCRIPTION		DATE	DWN	APVD	
	C	REVISED PER ECR-08-021071		28AUG08	HMR	GJ	

- SPECIFICATIONS:  
 MAGNET WIRE: 15-23 AWG, 1.47[.058] - 0.56[.022] DIA COPPER.  
 BLADE CONTACT: ACCEPTS 0.8[.032] THICK BLADE.
- POCKET RECOMMENDATION: #1601437
- TERMINAL APPLICATION TO COMPLY WITH TYCO ELECTRONICS SPECIFICATION 114-13210.
- CONSULT TYCO ELECTRONICS FOR PRODUCT AND APPLICATION SPECIFICS PRIOR TO FIRST USE.



THIS DRAWING IS A CONTROLLED DOCUMENT.		DWN J.WELLER 11JAN2002	Tyco Electronics Corporation Harrisburg, PA 17105-3608	
DIMENSIONS: mm [INCHES]		CHK M.FEHER 11JAN2002	NAME	
TOLERANCES UNLESS OTHERWISE SPECIFIED:		APVD K.RANDOLPH 11JAN2002	MEDIUM RANGE WIRE TO BLADE RECEPTACLE SIAMEZE TERMINAL	
0 PLC ± -		PRODUCT SPEC	SIZE A2	CAGE CODE 00779
1 PLC ± 0.25[.010]		APPLICATION SPEC	DRAWING NO C=1601137	RESTRICTED TO -
2 PLC ± 0.13[.005]			SCALE 6:1	SHEET 1 of 1
3 PLC ± -			REV C	
4 PLC ± -				
ANGLES ± 2°				
MATERIAL BRASS, SPRING HARD	FINISH SEE TABLE	WEIGHT -		
		CUSTOMER DRAWING		

单击下面可查看定价，库存，交付和生命周期等信息

[>>TE Connectivity\(泰科\)](#)