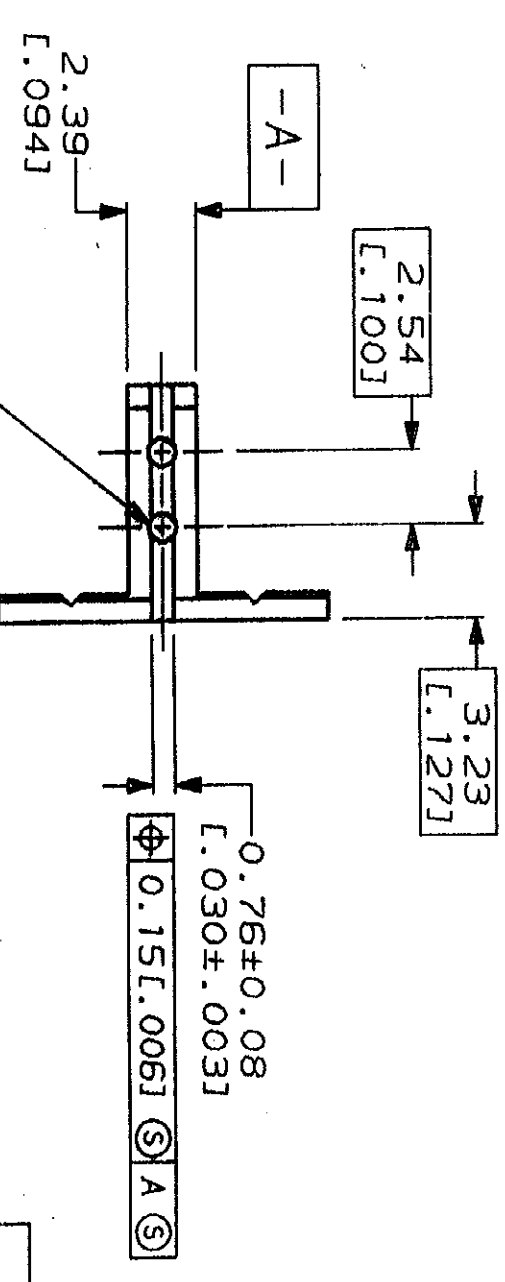
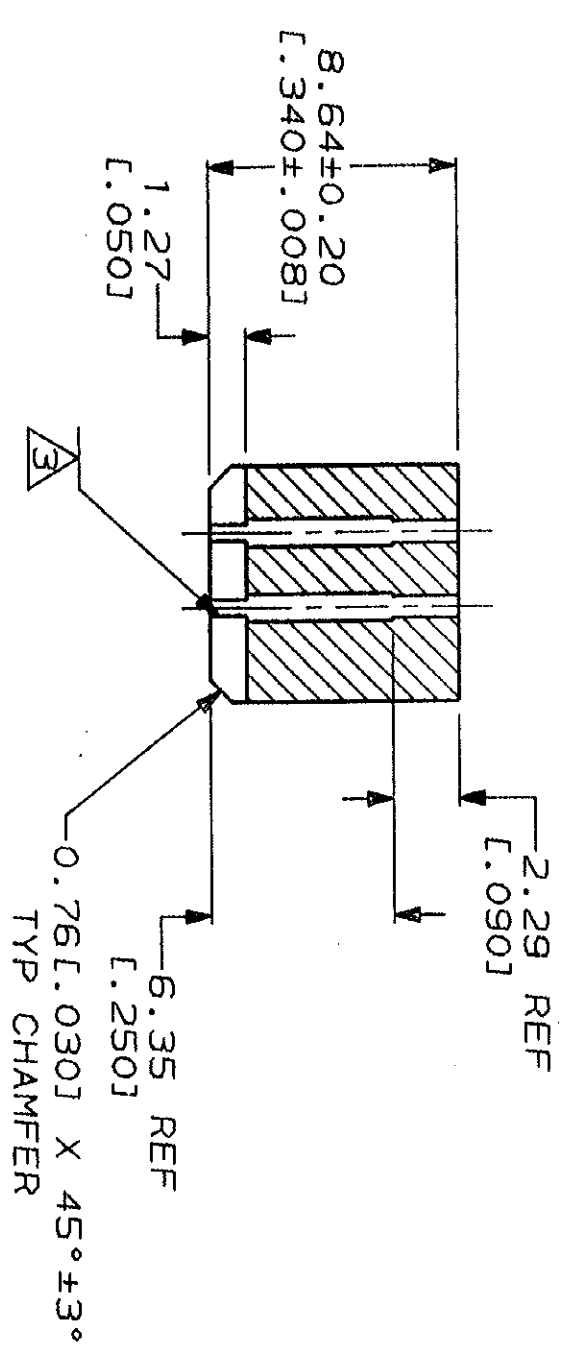
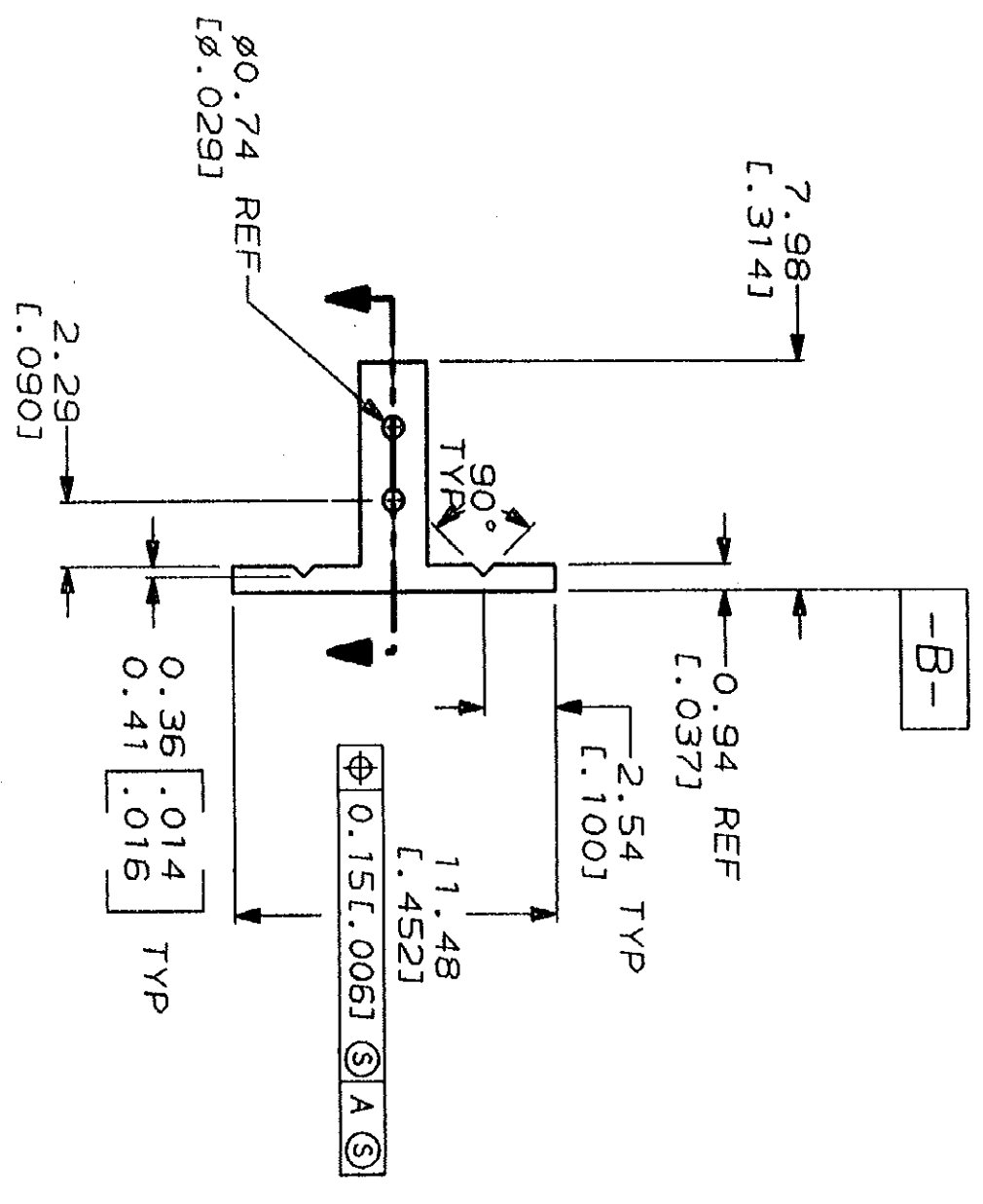


LOC	AD	REV	DATE	APPD
01ST	39		KIH	02/91
ZONE				
LTR				
DESCRIPTION	REV/REDRAW PER AD-5308			

REVISIONS	DATE	APPD
REV/REDRAW PER AD-5308	KIH	02/91



Ø0.76 [Ø0.31] X 6.35 [L.250] DP  
 REMAINDER Ø0.74 ± 0.03 [Ø.029 ± .001]  
 THRU TYP  
 Ø0.15 [L.006] A A

△ POLYESTER, COLOR - BLACK

**METRIC**

DO NOT SCALE PRINT. UNLESS SPECIFIED DIMENSIONS IN mm (INCHES) TOLERANCES ON: 2 PLG DEC ± 0.13(.005) 3 PLG DEC ± ANGLES		DR 02/13/91 KATE HELM	NAME <b>AMP</b> AMP Incorporated Harrisburg, PA 17105-3508
MATERIAL HOUSING: △		APPD A. Helm 2-20-91	PRODUCT SPEC
FINISH		APPD A. Helm 2-20-91	SIZE CAGE CODE 00779
WEIGHT		PRODUCT SPEC	DRAWING NO 87743
		SCALE 4:1	SHEET 1 OF 1

PART NO  
87743-1  
PART NUMBER

BARRIER, INSERT, KEYED

CUSTOMER DRAWING

单击下面可查看定价，库存，交付和生命周期等信息

[>>TE Connectivity\(泰科\)](#)