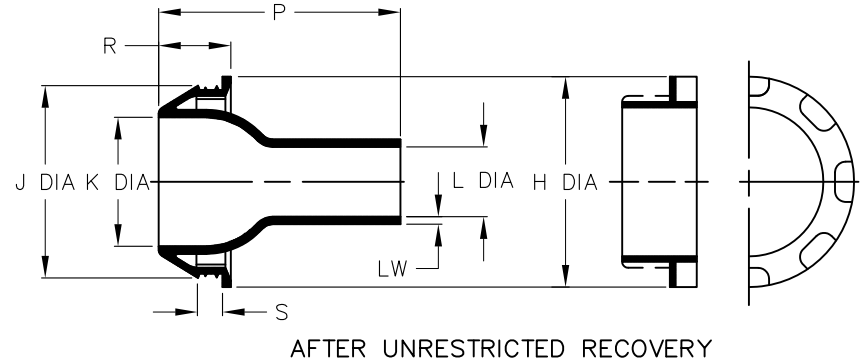
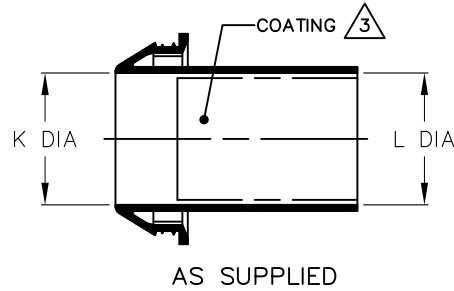
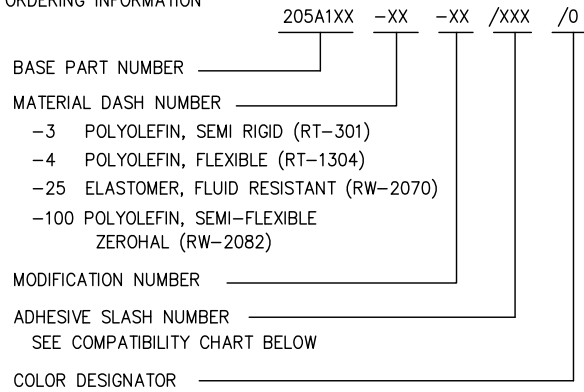


NOTES

- ALL DIMENSIONS ARE IN $\frac{\text{INCHES}}{\text{[MILLIMETERS]}}$
- DIMENSIONS APPEARING IN TABLE ARE AS FOLLOWS:
 - a - AS SUPPLIED
 - b - AFTER UNRESTRICTED RECOVERY

3. COATING (ADHESIVE): IS OPTIONAL AS SUPPLIED DIMENSIONS APPEARING IN TABLE ARE FOR UNCOATED PARTS. WHEN COATING IS ADDED, ENTRY DIAMETER WILL BE REDUCED BY .06 [1.5] MAX.

4. ORDERING INFORMATION



REVISIONS		
LTR	DESCRIPTION	DATE
F	REVISED PER ECO-11-007558	04/11/2011

TABLE OF DIMENSIONS

PART DESCRIPTION	H		J		K		L		P	R	S	LW	CABLE O.D. RANGE		HOLE DIAMETER		
	MAX	b	MAX	b	MIN	±8% b	MIN	MAX	±10% b	±10% b	±10% b	±20% b	MIN	MAX	.063±.02 [1,6±0,5]	.125±.02 [3,2±0,5]	.250±.02 [6,4±0,5]
															PANEL THICKNESS	PANEL THICKNESS	PANEL THICKNESS
205A112	1.16 [29,5]	1.01 [25,7]	.44 [11,2]	.50 [12,7]	.44 [11,2]	.17 [4,3]	1.75 [44,5]	.65 [16,5]	.26 [6,6]	.06 [1,5]	.17 [4,3]	.40 [10,2]	.17 [4,3]	.40 [10,2]	.98 [24,9]	.99 [25,2]	1.00 [25,4]
205A123	1.50 [38,1]	1.34 [34,0]	.71 [18,0]	.78 [19,8]	.71 [18,0]	.38 [9,7]	2.20 [55,9]	.65 [16,5]	.26 [6,6]	.07 [1,8]	.38 [9,7]	.70 [17,8]	.38 [9,7]	.70 [17,8]	1.27 [32,3]	1.28 [32,5]	1.31 [33,3]
205A134	2.00 [50,8]	1.83 [46,5]	1.09 [27,7]	1.20 [30,5]	1.09 [27,7]	.65 [16,5]	2.25 [57,2]	.70 [17,8]	.26 [6,6]	.10 [2,5]	.65 [16,5]	1.05 [26,7]	.65 [16,5]	1.05 [26,7]	1.74 [44,2]	1.75 [44,5]	1.78 [45,2]
205A145	2.30 [58,4]	2.15 [54,6]	1.39 [35,3]	1.50 [38,1]	1.39 [35,3]	.99 [25,2]	3.00 [76,2]	.69 [17,5]	.26 [6,6]	.09 [2,3]	1.00 [25,4]	1.35 [34,3]	1.00 [25,4]	1.35 [34,3]	2.04 [51,8]	2.06 [52,3]	2.09 [53,1]
205A155	3.06 [77,7]	2.97 [75,4]	1.82 [46,2]	1.98 [50,3]	1.82 [46,2]	1.28 [32,5]	3.60 [91,4]	.78 [19,8]	.27 [6,9]	.10 [2,5]	1.28 [32,5]	1.80 [45,7]	1.28 [32,5]	1.80 [45,7]	2.95 [74,9]	2.97 [75,4]	3.00 [76,2]
205A165	3.92 [99,6]	3.82 [97,0]	2.51 [63,8]	2.76 [70,1]	2.51 [63,8]	1.77 [45,0]	4.50 [114,3]	.83 [21,1]	.27 [6,9]	.12 [3,1]	1.77 [45,0]	2.50 [63,5]	1.77 [45,0]	2.50 [63,5]	3.78 [96,0]	3.80 [96,5]	3.83 [97,3]

If this document is printed it becomes uncontrolled. Check for the latest revision

Raychem Molded Parts
CUSTOMER DRAWING

COMPATIBILITY CHART

MATERIAL DASH NO.	ADHESIVE (COATING) SLASH NUMBER	ADHESIVE (COATING) S NUMBER
-3	/42; /86;	S-1017; S-1048;
-4	/42; /86;	S-1017; S-1048;
-25	/42; /86; /225	S-1017; S-1048; S-1206
-100	/86;	S-1048;

UNLESS OTHERWISE SPECIFIED DIMENSIONS ARE INCHES. METRIC DIMENSIONS ARE IN BRACKETS.		REVISED UNGUYNEN		TE Connectivity	
DECIMAL TOLERANCES .XXX ± 0.005 [0.13 mm] .XX ± 0.01 [0.25 mm] .X ± 0.1 [0.50 mm]		APPROVED DHURRELL			
ANGLE TOLERANCE .X ± 1 DEG.		THIRD ANGLE PROJECTION		TITLE FEEDTHROUGH, SEAL	
TYCO ELECTRONICS CORPORATION RESERVES THE RIGHT TO AMEND THIS DRAWING AT ANY TIME. USERS SHOULD EVALUATE THE SUITABILITY OF THE PRODUCT FOR THEIR APPLICATION.				SIZE B	CODE IDENT. NO. 06090
© 2001- 2011 Tyco Electronics Corporation. All rights reserved.		SCALE: NTS		DWG. NO. 205A112thru165	SHEET 1 OF 1

单击下面可查看定价，库存，交付和生命周期等信息

[>>TE Connectivity\(泰科\)](#)