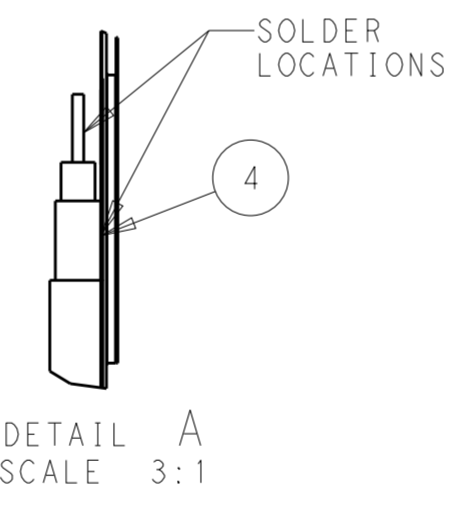
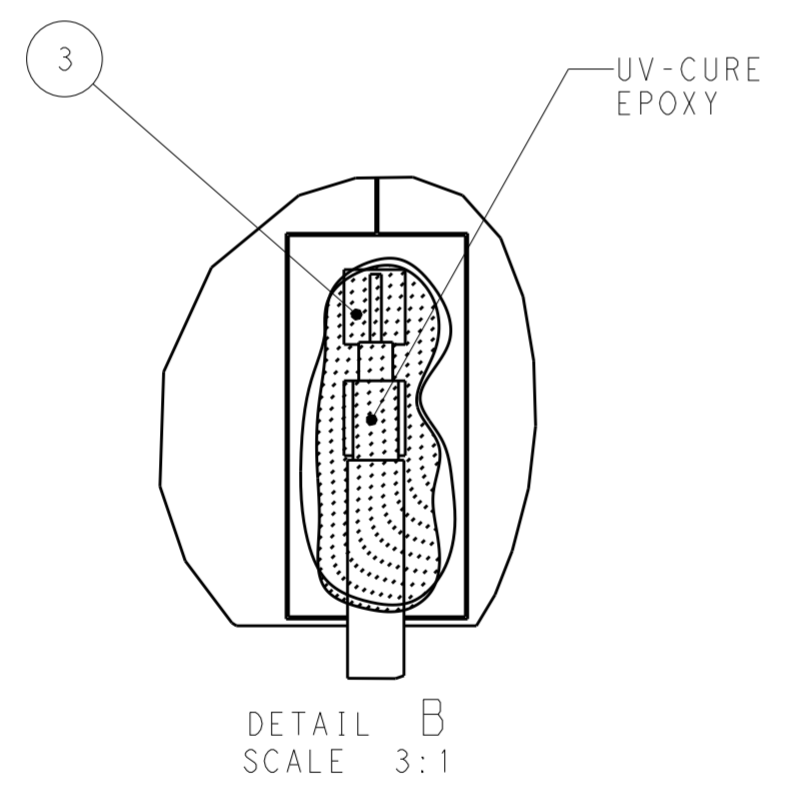
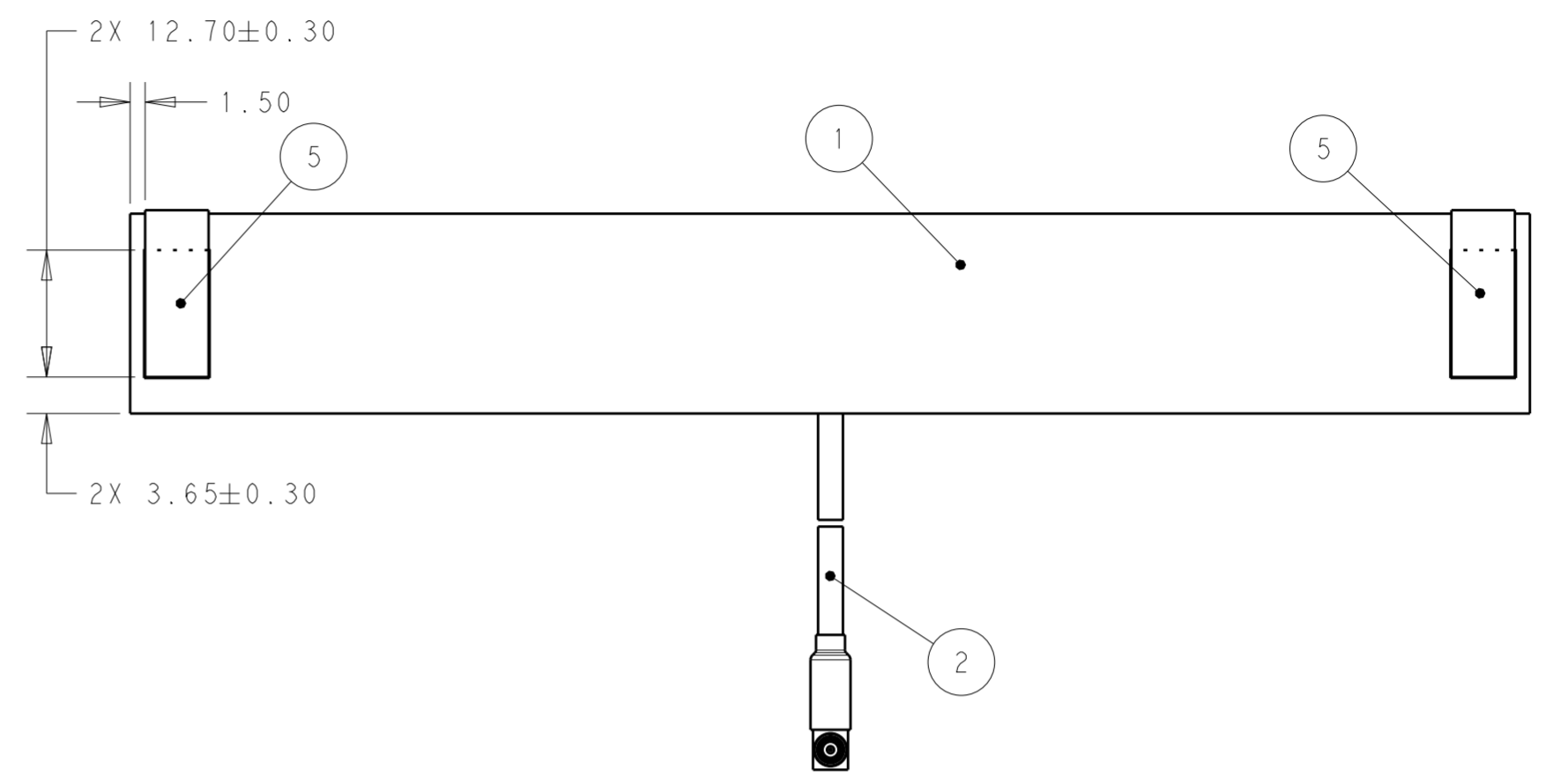
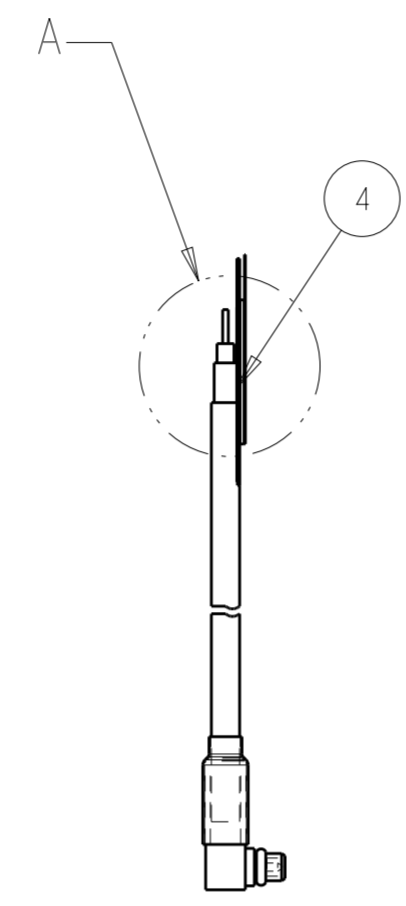
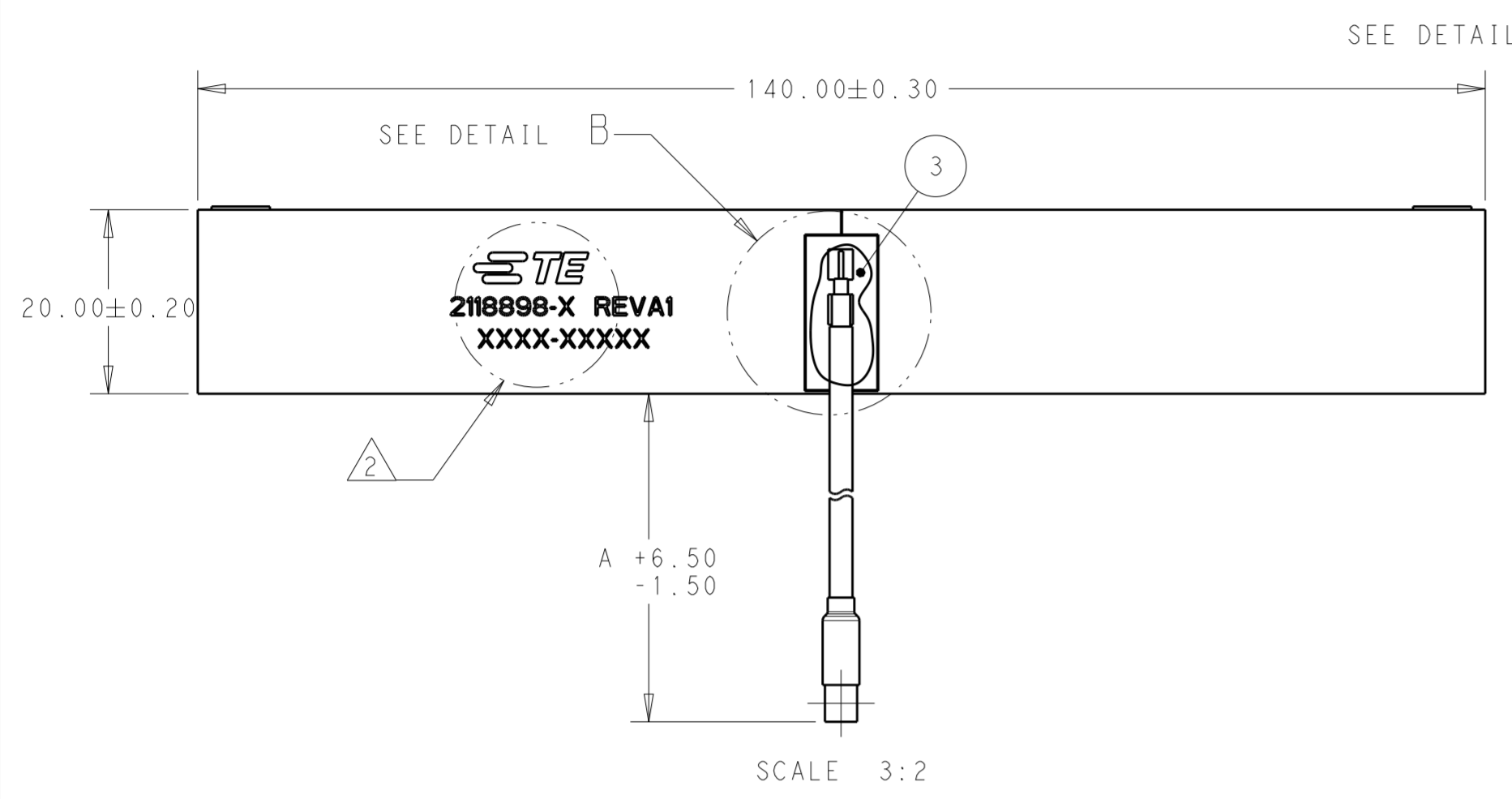


THIS DRAWING IS UNPUBLISHED. RELEASED FOR PUBLICATION
 © COPYRIGHT copyright.dBTe- ALL RIGHTS RESERVED.

| REVISIONS | | | | | |
|-----------|-----|----------------------------|-----------|-----|------|
| P | LTR | DESCRIPTION | DATE | DWN | APVD |
| A | | PRODUCTION RELEASE | 09JAN2019 | CR | CR |
| A1 | | REVISED PER ECO-19-018445. | 04DEC2019 | SJ | JH |
| A2 | | REVISED PER ECO-20-009959 | 16JUL2020 | SJ | JH |



NOTES:

- FABRICATED TO MEET IPC - 6012, CLASS 2. INSPECTED TO MEET IPC - A - 600, CLASS 2.
- MINIMUM IDENTIFICATION INCLUDES: TE LOGO; TE ASSEMBLY PART NUMBER, REVISION, FOUR DIGIT DATE CODE (FIRST 2 DIGITS FOR THE WEEK AND 2 DIGITS FOR THE YEAR)
- MATERIALS: REFER TO TABLE
- MAY BE REPLACED WITH COMMERCIAL PARTS IF THE ALTERNATIVE PRODUCT MEETS OR EXCEEDS THE EQUIVALENT SPECIFICATIONS AND APPROVAL BY TE ENGINEERING.
- PACKING: SINGULATED PARTS TO BE SECURELY SHRINK WRAPPED, VACUUM PACKED OR BAGS PACKAGED IN BULK.

| ITEM NO | DESCRIPTION | QTY | QTY |
|---------|---|-----|-----|
| 5 | 3M4926 VHB TAPE GRAY OR 3M4920 VHB TAPE WHITE | 2 | 2 |
| 4 | SOLDER WIRE | 1 | 1 |
| 3 | LETBOND HV054-1 UV CURING ADHESIVE | 1 | 1 |
| 2 | C/A, MMCX WITH RG178 CABLE "A": 255.0 | 1 | - |
| 2 | C/A, MMCX WITH RG178 CABLE "A": 185.0 | - | 1 |
| 1 | PC BOARD | 1 | 1 |

THIS DRAWING IS A CONTROLLED DOCUMENT.

| | | |
|------|----------|-----------|
| DWN | C. REGUS | 21AUG2018 |
| CHK | C. REGUS | 21AUG2018 |
| APVD | J. MOORE | 21AUG2018 |

STE TE Connectivity

NAME: ISM ANTENNA 915MHZ AND 2.4GHZ

SIZE: A2 CAGE CODE: 00779 DRAWING NO: C-2118898 RESTRICTED TO: A2

SCALE: 1:1 SHEET: 1 OF 1 REV: A2

单击下面可查看定价，库存，交付和生命周期等信息

[>>TE Connectivity\(泰科\)](#)