

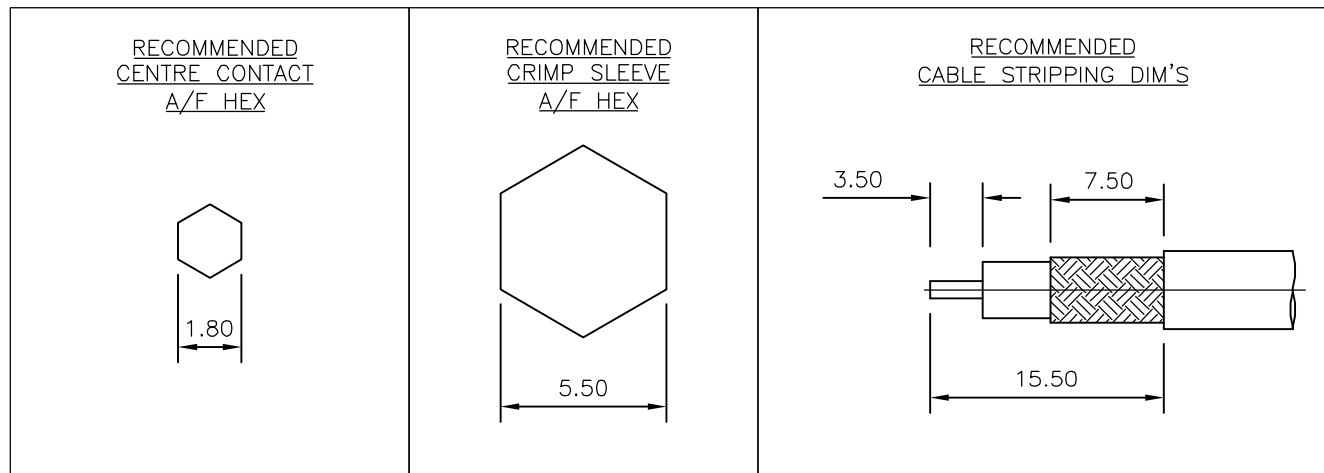
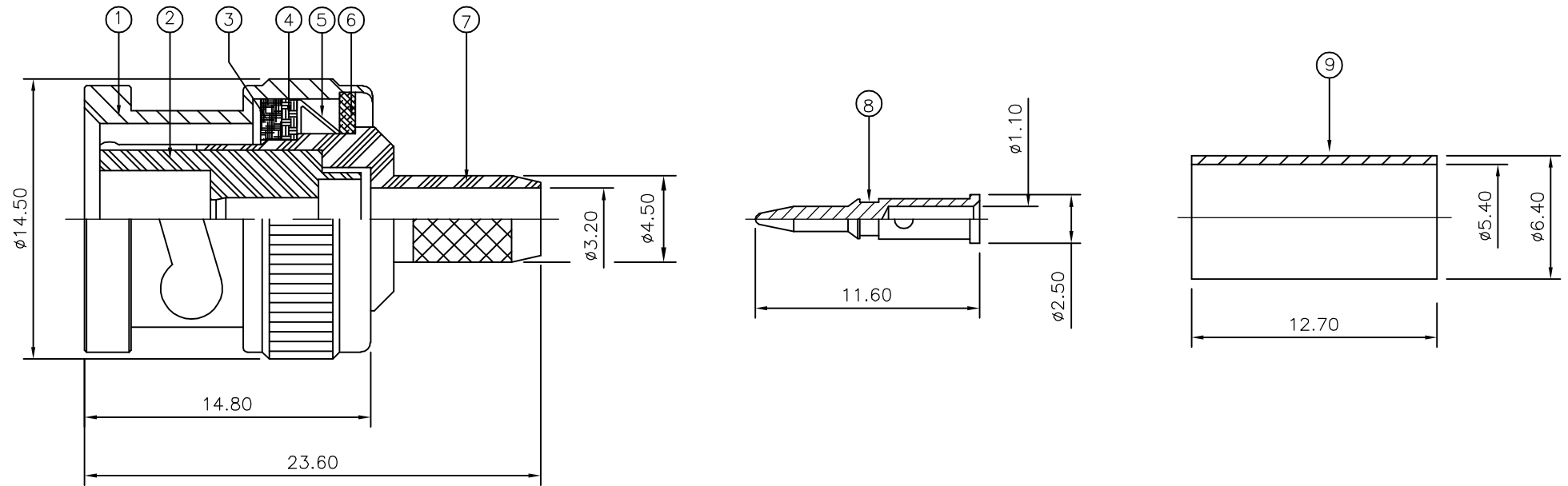
THIS DRAWING IS UNPUBLISHED. RELEASED FOR PUBLICATION NOV ,2005.

© COPYRIGHT 2005 BY TYCO ELECTRONICS CORPORATION. ALL RIGHTS RESERVED.

LOC	DIST	REVISIONS					
E	B	P	LTR	DESCRIPTION	DATE	DWN	APVD
			C	ECR-05-015880	21NOV05	JMS	FWK

NOTES:

- 1 PACK IN ACCORDANCE WITH AMP SPEC 107-3275
- 2 100 TRAY PACK IN ACCORDANCE WITH AMP SPEC 107-3275
- 3 Ag PLATING
- 4 THIS ITEM MUST BE WHITE
- 5. HAND TOOL : 9-1478240-0
- 6 DIE SET : 9-1478242-0
- 7 ELECTRICAL CHARACTERISTICS  
 FREQUENCY RANGE: DC - 4 GHz  
 NOMINAL IMPEDANCE: 50 Ohm  
 INSULATIONAL RESISTANCE: 5000 MOhm  
 WORKING VOLTAGE: 500 Volts RMS at Sea Level  
 DIELECTRIC WITHSTAND VOLTAGE: 1500 Volts RMS Max  
 CONTACT RESISTANCE:  
 CENTRE CONTACT: 1.50 mOhm Max  
 OUTER CONTACT: 0.20 mOhm Max  
 VSWR @ 4GHz: 1.30:1 Max  
 INSERTION LOSS dB @ x 3 GHz: 0.20 Max
- 8 MECHANICAL CHARACTERISTICS  
 COUPLING NUT RETENTION FORCE: 445N Min  
 CABLE RETENTION FORCE: 170N Min  
 DURABILITY: 500 Cycles Min
- 9 ENVIRONMENTAL CHARACTERISTICS  
 OPERATING TEMPERATURE: -65 to +165 DegC



QTY	UNIT	MATERIAL	DESCRIPTION	ITEM
1	1	BRASS	FERRULE	9
1	1	BRASS	CONTACT	8
1	1	BRASS	BODY	7
1	1	BRASS	WASHER	6
1	1	SPRING STEEL	SPRING	5
1	1	BRASS	WASHER	4
1	1	SILICON RUBBER	GASKET	3
1	1	PTFE	INSULATION	2
1	1	BRASS	SHELL	1
6--0	1--0	MATERIAL	DESCRIPTION	ITEM

QUANTITY PER ASSY		PARTS LIST	
DWN J.SANDWELL 21NOV05		Tyco Electronics Corporation	
CHK S.PARLOW 21NOV05		Bideford EX39 4HE	
APVD F.WHEELER-KING 21NOV05		NAME	
PRODUCT SPEC 108-3435		BNC STRAIGHT PLUG CRIMP 50 OHM	
APPLICATION SPEC 411-3247		RG58C/U, 141A/U, URM 43,76,Belden 9907, KX15	
SIZE A3	CAGE CODE 00779	DRAWING NO C-1337427	RESTRICTED TO -
CUSTOMER DRAWING		SCALE NTS	SHEET 1 OF 1 REV C

THIS DRAWING IS A CONTROLLED DOCUMENT.	
DIMENSIONS: mm	TOLERANCES UNLESS OTHERWISE SPECIFIED:
	0 PLC ± -
	1 PLC ± -
	2 PLC ± -
	3 PLC ± -
	4 PLC ± -
	ANGLES ± -
MATERIAL SEE TABLE	FINISH -

单击下面可查看定价，库存，交付和生命周期等信息

[>>TE Connectivity\(泰科\)](#)