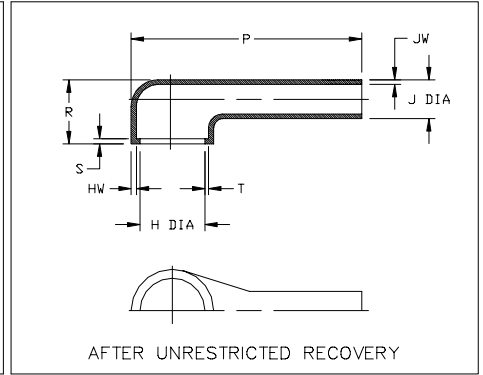
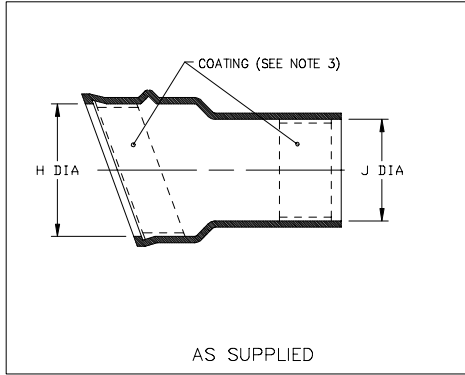


Thermofit[®] Molded Parts
 Specification Control Drawing
 Limited Distribution

Part Number : 222F2XX-X-22
 Description : Boot, 90°, With Lip

NOTES

- All dimensions are in $\frac{\text{inches}}{\text{[millimeters]}}$
- Dimensions appearing in table are as follows:
 a - As Supplied
 b - After Unrestricted Recovery
- Coating is optional. As supplied dimensions appearing in table are for uncoated parts. When coating is added, entry diameters will be reduced by .06 max.
- "S" & "T" dimensions apply to a minimum of 240° of the circumference.



PART NUMBER	H		J		P ±10%	R ±10%	HW +.06 -.03	JW ±.03	S +.06 -.03	T ±.03
	Min a	Max b	Min a	Max b						
222F211-X-22	.94 [23,9]	.39 [9,9]	.68 [17,3]	.26 [6,6]	2.75 [69,8]	.73 [18,8]	.06 [1,52]	.06 [1,52]	.06 [1,52]	.05 [1,3]

If this document is printed it becomes uncontrolled.
 Check for the latest revision.

Raychem

RAYCHEM CORPORATION
 300 CONSTITUTION DRIVE
 MENLO PARK, CALIFORNIA 94025

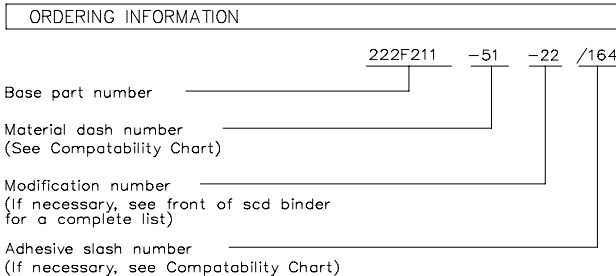
Revision : B
 Date : 4/19/00

Part Number : 222F2XX-X-22
 Description : Boot, 90°, With Lip

Thermofit[®] Molded Parts
 Specification Control Drawing
 Limited Distribution

Part Number : 222F2XX-X-22
 Description : Boot, 90°, With Lip

MATERIAL DASH NO.	MATERIAL DESCRIPTION	RT SPEC	COATING SLASH NO.	COATING S NO.	COATING DESCRIPTION
-51	Flexible EPB	RT-1321	/164	S-1124	Adhesive
-71	Flexible Polyolefin	RT-1316	/86	S-1048	Adhesive



THIS DRAWING IS SUBJECT TO CHANGE WITHOUT NOTICE; CONSULT YOUR NEAREST FIELD REPRESENTATIVE FOR CURRENT REVISION

Raychem

RAYCHEM CORPORATION
 300 CONSTITUTION DRIVE
 MENLO PARK, CALIFORNIA 94025

Revision : B
 Date : 4/19/00

Part Number : 222F2XX-X-22
 Description : Boot, 90°, With lip

单击下面可查看定价，库存，交付和生命周期等信息

[>>TE Connectivity\(泰科\)](#)