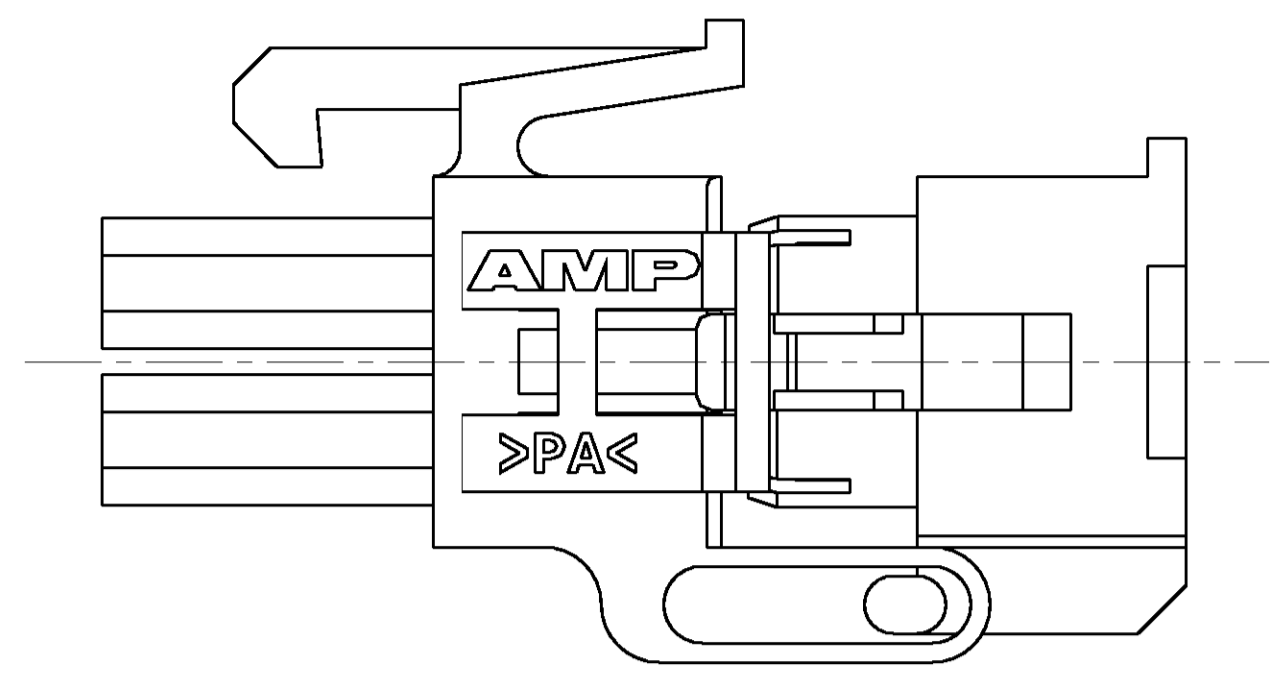
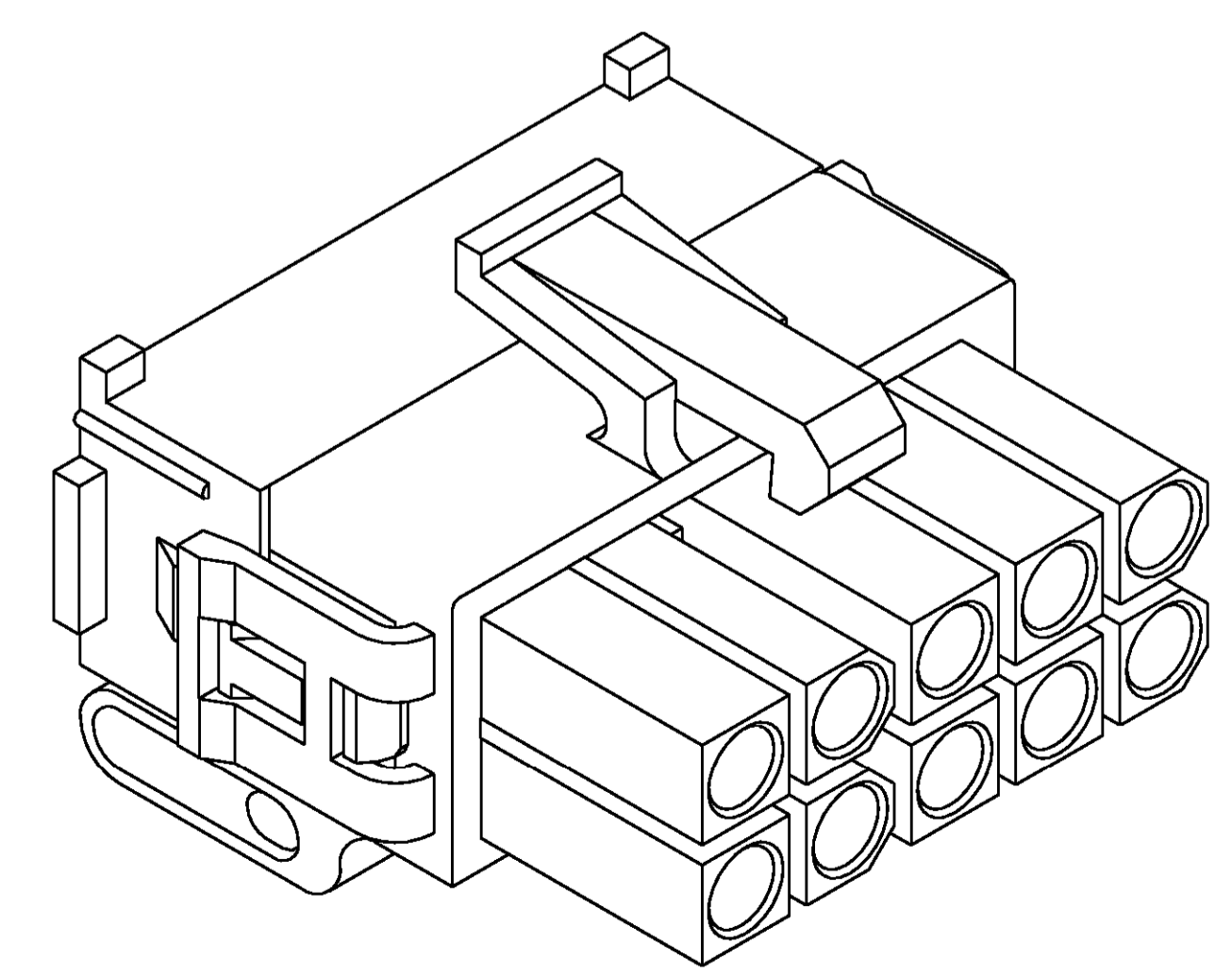
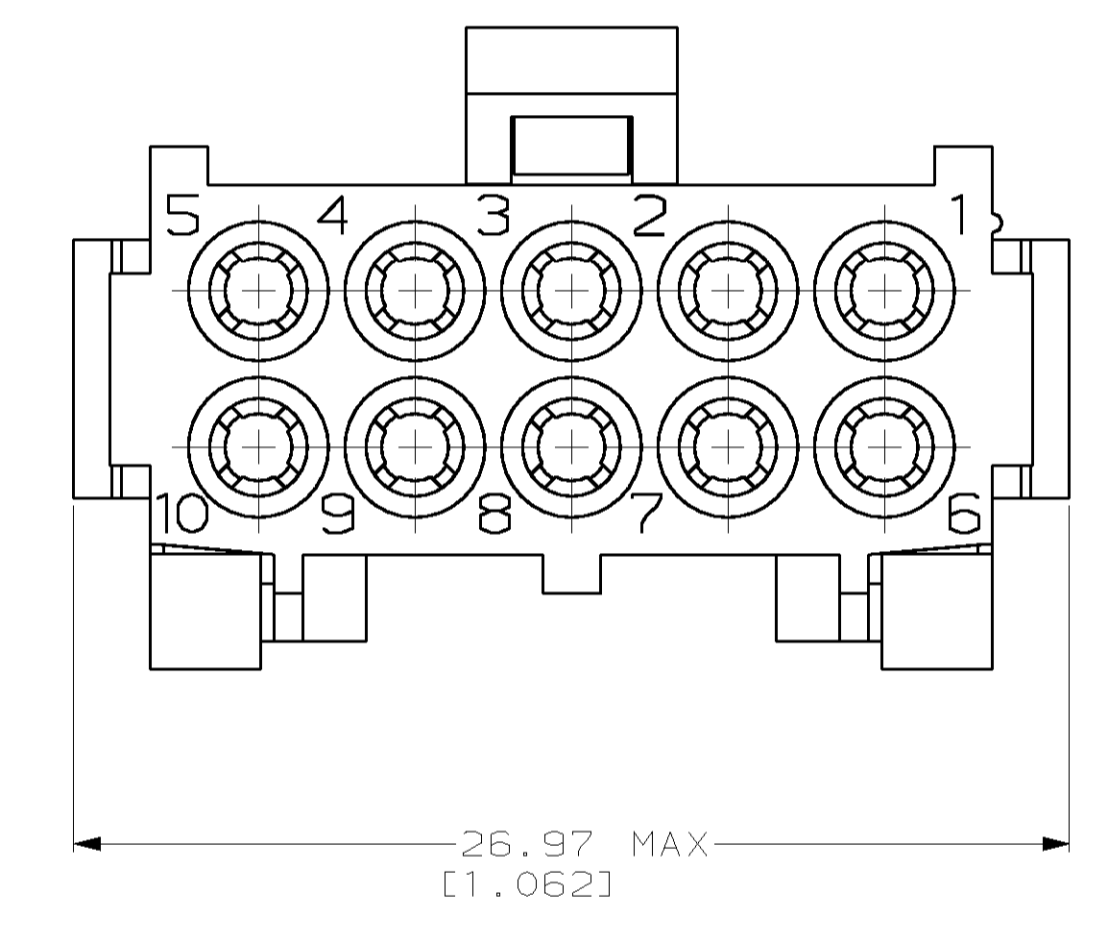
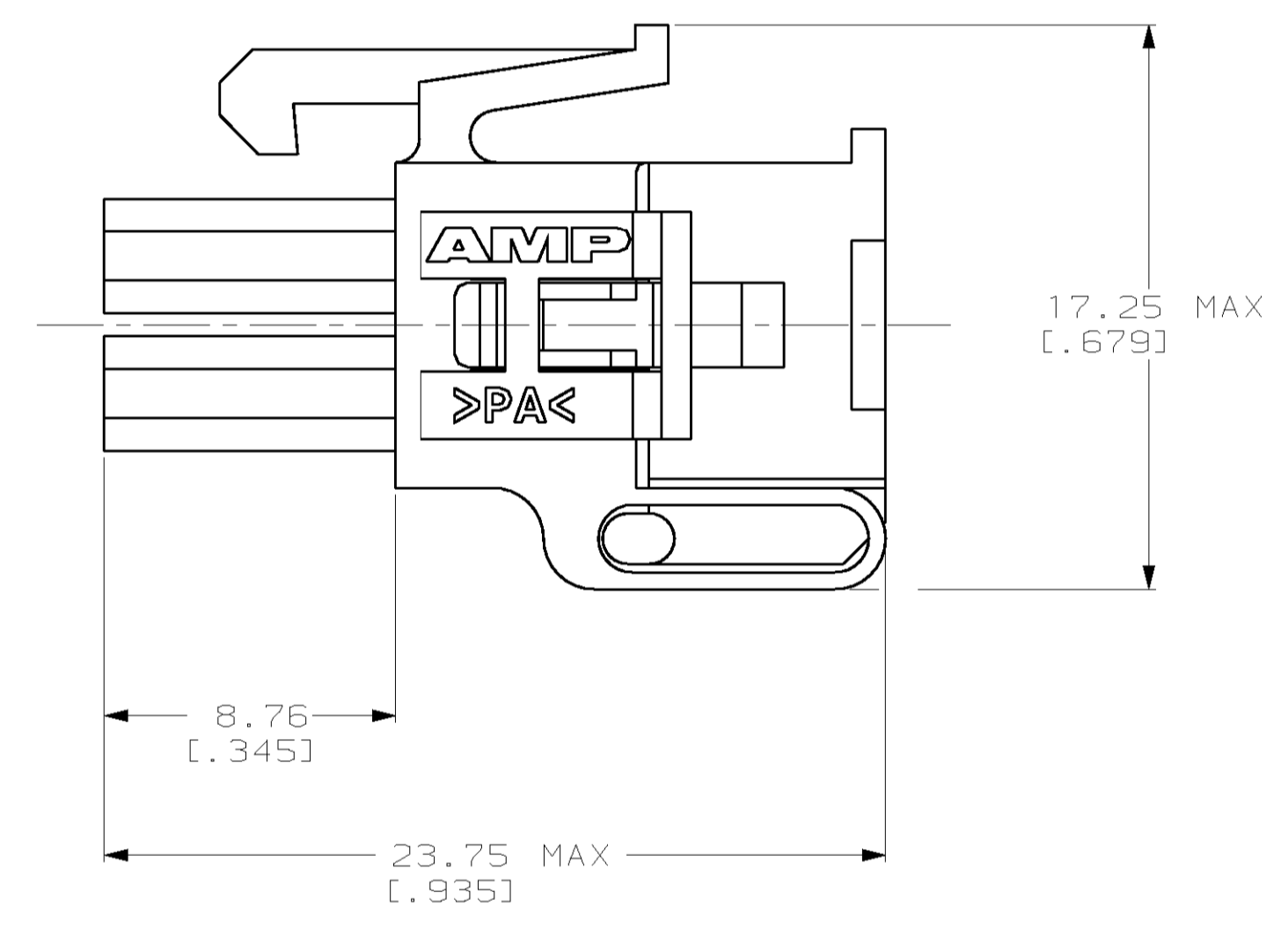
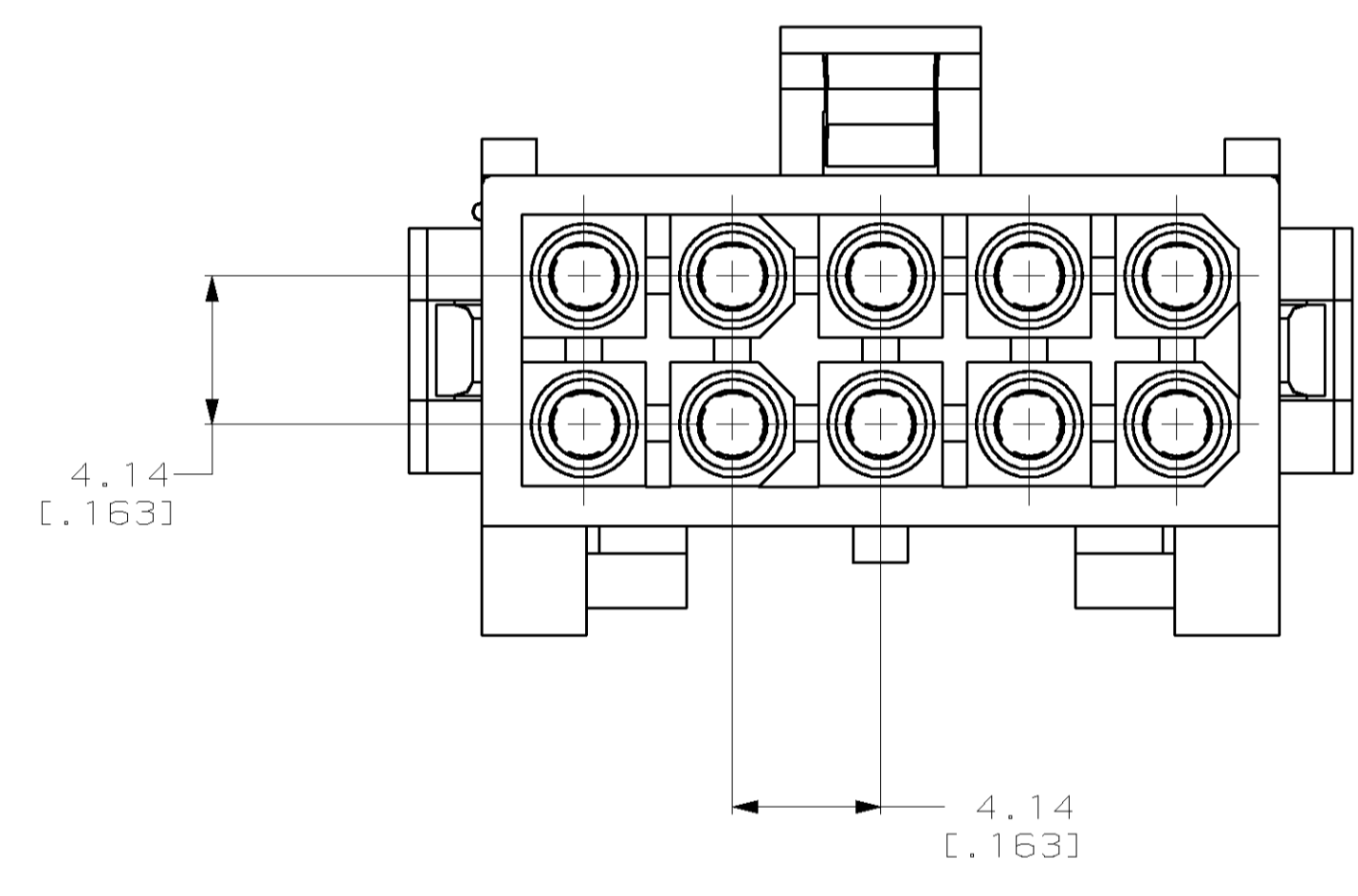


LOC	DIST	REVISIONS			
F	CHR	DESCRIPTION	DATE	OWN	APVD
B		REV PER EC 061B-0094-99	23-SEP-99	KW	KC



PRE-STAGED CONDITION

1. DIMENSIONS IN BRACKETS ARE IN INCHES.



3-DIMENSIONAL MODEL
NTS

794249-1
PART NUMBER



THIS DRAWING IS A CONTROLLED DOCUMENT.		DWN K. WHITAKER 5-14-97	AMP AMP Incorporated Harrisburg, PA 17105-3608
		CHK R. SWING 5-14-97	
DIMENSIONS:		APVD S. ORSTAD 5-14-97	NAME PLUG, 10 CIRCUIT, MINI UNIVERSAL MATE-N-LOK™ 2
TOLERANCES UNLESS OTHERWISE SPECIFIED:		PRODUCT SPEC	APPLICATION SPEC
mm		0 PLC ±	SIZE CAGE CODE DRAWING NO
0.15		1 PLC ±	A1 00779 C-794249
0.25		2 PLC ±	RESTRICTED TO
0.50		3 PLC ±	
1.00		4 PLC ±	
2.00		ANGLES ±	
FINISH		WEIGHT	SCALE 5:1 SHEET 1 OF 1 REV B
MATERIAL NYLON, UL 94V-2,NATURAL		FINISH	CUSTOMER DRAWING

单击下面可查看定价，库存，交付和生命周期等信息

[>>TE Connectivity\(泰科\)](#)