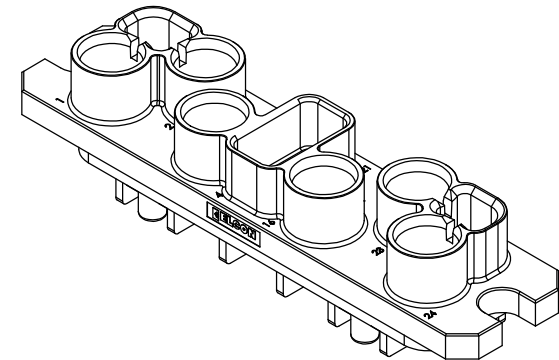


This drawing involves proprietary design rights of Tyco Electronics Corporation, and all design, manufacture, reproduction, use and sale rights regarding the same are expressly reserved. It is submitted for a specific purpose and the recipient by accepting this drawing, assumes custody and control and agrees to take reasonable precautions: (a) that this drawing will not be copied and reproduced, in whole or in part, or its contents revealed in any manner, or to any person except to meet the purpose for which it was delivered and (b) that any special features peculiar to this design will not be incorporated in other projects without the expressed written permission of Tyco Electronics Corporation.

REVISIONS			DATE
EC	REV	DESCRIPTION	DATE
CPR	A	NEW RELEASE	02/07/06

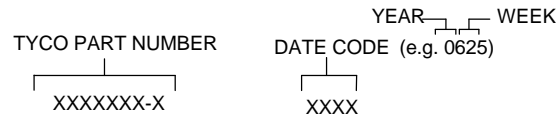


PIN HOUSING ASSEMBLY

6766615-1
PART NUMBER

6. SEE DRAWING C-6651585 FOR COMPLETE PIN CONNECTOR INFORMATION.

5. ITEMS PROVIDED TO THIS SPECIFICATION TO BE PERMANENTLY IDENTIFIED PER THE FOLLOWING IDENTIFIER:



4. A REFERENCE DIMENSION (X.XX) IS WITHOUT TOLERANCE AND USED FOR INFORMATION ONLY.

3. FINISHES:
INSULATOR: AS MOLDED, COLOR BLACK
RETENTION CLIPS: CLEAN

2. MATERIALS:
INSULATORS: THERMOPLASTIC, GLASS REINFORCED
UL RATED 94V-0 FLAMMABILITY RATED

RETENTION CLIPS: BERYLLIUM COPPER OR STAINLESS STEEL

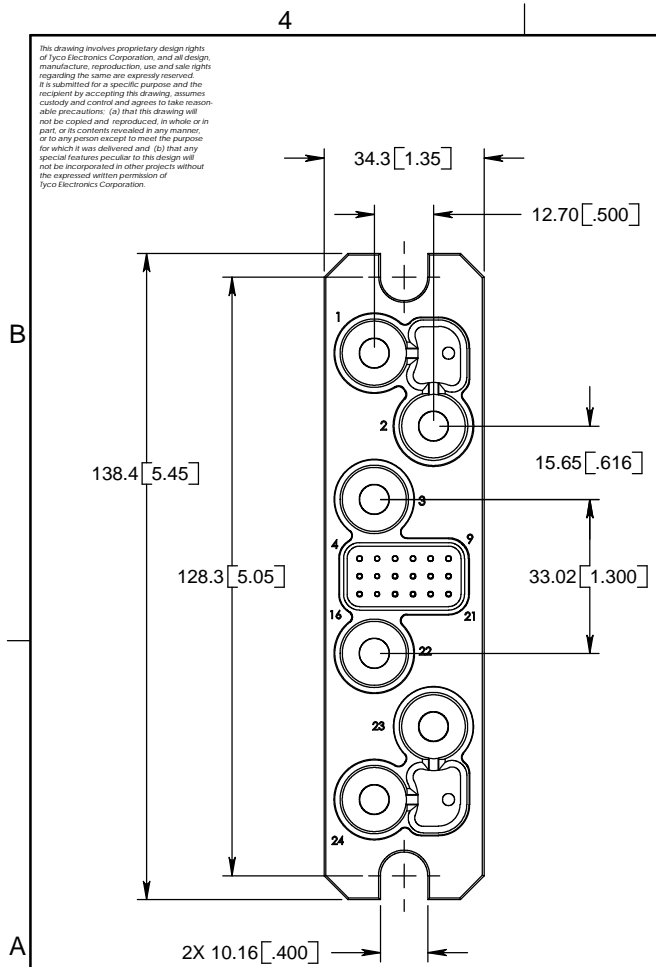
1. PART NUMBER CHANGES AND OR DESIGN CHANGES AFFECTING ITEM INTERCHANGEABILITY REQUIRE PRIOR ELCON APPROVAL AND AUTHORIZATION BY REVISION TO THIS DRAWING.

NOTES: UNLESS OTHERWISE SPECIFIED

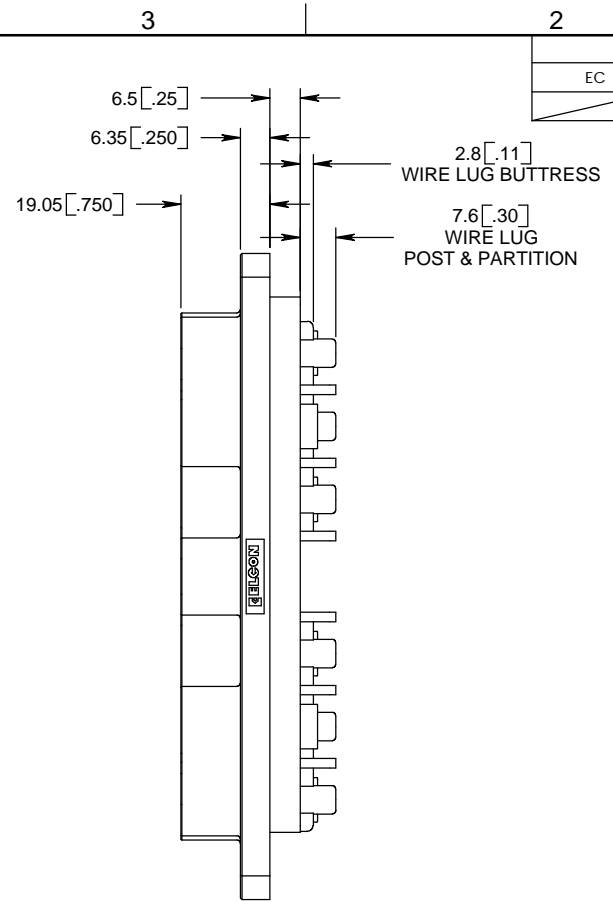
<p>THIRD ANGLE PROJECTION</p> <p>UNLESS OTHERWISE SPECIFIED DIMENSIONS ARE IN MILLIMETERS [INCH]</p> <p>TOLERANCES</p> <p>ANGLES ± 2.0°</p> <p>DECIMALS</p> <p>.XX ± 0.25 [.010]</p> <p>.X ± 0.5 [.02]</p>	DRAWN R. Larsen/Ha Nguyen	DATE 02/07/06	Tyco Electronics Corporation Menlo Park, CA 94025 	TITLE CONNECTOR, PIN 6 x # 4 PWR & 18 x # 20 SIGNAL CONTACTS CUSTOM DRAWER	
	CHECKED			SIZE B	DWG NUMBER C □ 6766615
	APPROVED D. CHAU	02/07/06		REV. A	
	DCA APPROVED HA NGUYEN	02/07/06			
FILE NAME	SC6766615A.SLDDRW		DWG SCALE: 1 = 1	SH 1 OF 2	

This drawing involves proprietary design rights of Tyco Electronics Corporation, and all design, manufacture, reproduction, use and sale rights regarding the same are expressly reserved. It is submitted for a specific purpose and the recipient by accepting this drawing, assumes custody and control and agrees to take reasonable precautions: (a) that this drawing will not be copied and reproduced, in whole or in part, or its contents revealed in any manner, or to any person except to meet the purpose for which it was delivered and (b) that any special features peculiar to this design will not be incorporated in other projects without the expressed written permission of Tyco Electronics Corporation.

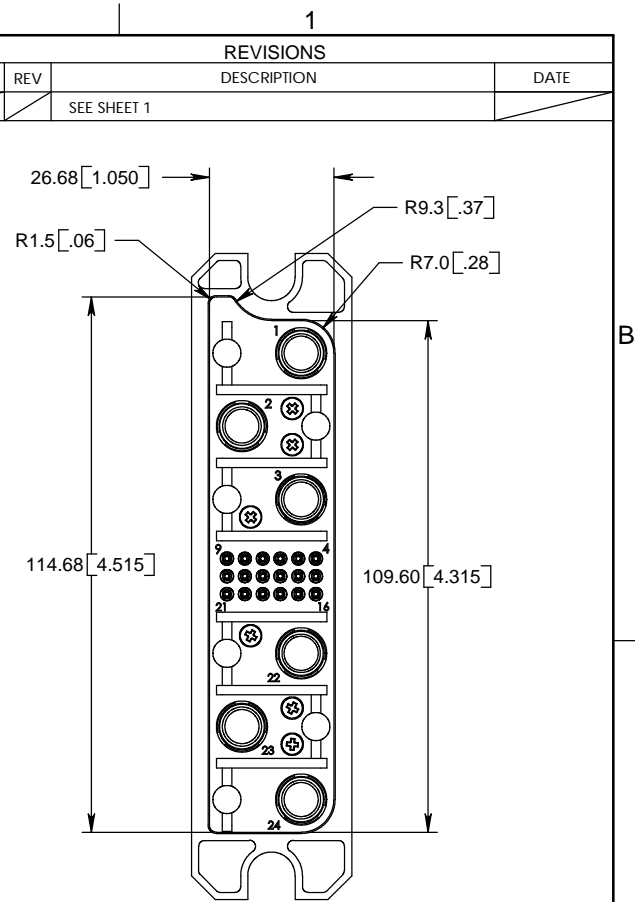
REVISIONS			DATE
EC	REV	DESCRIPTION	
		SEE SHEET 1	



ASSEMBLY TOP VIEW



ASSEMBLY SIDE VIEW



ASSEMBLY BOTTOM VIEW

<p>THIRD ANGLE PROJECTION</p> <p>UNLESS OTHERWISE SPECIFIED DIMENSIONS ARE IN MILLIMETERS [INCH]</p> <p>TOLERANCES</p> <p>ANGLES ± 2.0°</p> <p>DECIMALS</p> <p>.XX ± 0.25 [010]</p> <p>.X ± 0.5 [02]</p>	<p>DRAWN</p> <p>R. Larsen/Ha Nguyen</p>	<p>DATE</p> <p>02/07/06</p>	<p>tyco Tyco Electronics Corporation</p> <p>Electronics Menlo Park, CA 94025</p> <p>ELECON</p>
	<p>CHECKED</p>		<p>TITLE</p> <p>CONNECTOR, PIN</p> <p>6 x # 4 PWR & 18 x # 20 SIGNAL CONTACTS</p> <p>CUSTOM DRAWER</p>
	<p>APPROVED</p> <p>D. CHAU</p>	<p>DATE</p> <p>02/07/06</p>	<p>SIZE DWG NUMBER</p> <p>B 6766615</p>
	<p>APPROVED</p> <p>DCA APPROVED</p> <p>HA NGUYEN</p>	<p>DATE</p> <p>02/07/06</p>	<p>REV.</p> <p>A</p>
<p>FILE NAME</p> <p>SC6766615A.SLDDRW</p>		<p>DWG SCALE: 1 = 1</p>	<p>SH 2 OF 2</p>

单击下面可查看定价，库存，交付和生命周期等信息

[>>TE Connectivity\(泰科\)](#)